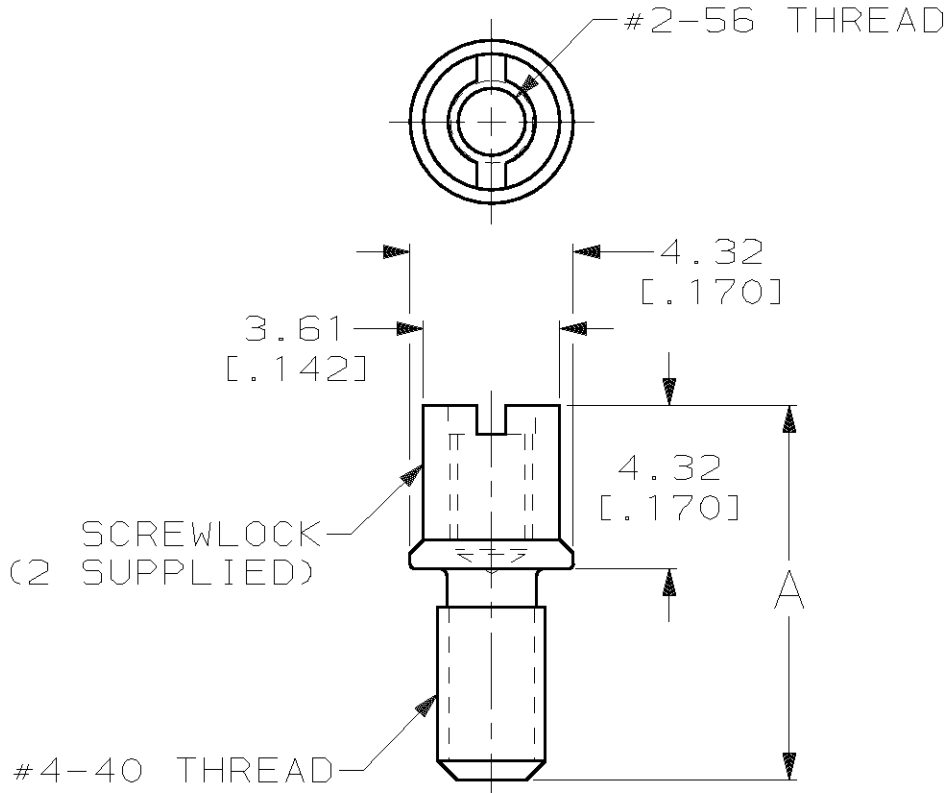


LOC	DIST	REVISIONS					
P	LTR	DESCRIPTION	DATE	DWN	APVD		
BD	95	B		REV PER ECN BD6083	07 AUG 92	-	RW
		C		OBS -2 PER EC 0020-481-96	13 FEB 97	DH	LB
		D		REACTIVATED -2	29 JAN 99	BC	DR
				PER EC 0G40-30-99			



1. KIT TO BE USED WITH CONNECTORS MOUNTED TO PANELS HAVING A THICKNESS OF 1.19 [.047].

2 COMPONENTS BULK PACKED.

3 INDIVIDUAL KIT PACKAGE.

2/2	9.91 [.390]	750831-2
2/3	9.91 [.390]	750831-1
QUANTITY	A	PART NO

RELEASED FOR PUBLICATION

THIS DRAWING IS UNPUBLISHED.

BY AMP INCORPORATED. ALL RIGHTS RESERVED.

DIMENSIONS: mm [INCHES]	DWN M.E.SHIRK 30 SEP 91	MATERIAL -	FINISH -
	CHK J.P.HUSS 30 SEP 91	AMP Incorporated Harrisburg, PA 17105-3608	
TOLERANCES UNLESS OTHERWISE SPECIFIED:	APVD R.N.WHITEMAN 01 OCT 91		
	0 PLC ±-	PRODUCT SPEC 108-1366	SIZE A4
1 PLC ±-	APPLICATION SPEC 114-40036	DRAWING NO C-750831	
2 PLC ±0.38 [.015]		WEIGHT -	SCALE 5:1
3 PLC ±-	CUSTOMER DRAWING	REV D	
4 PLC ±-			
ANGLES ±-			

单击下面可查看定价，库存，交付和生命周期等信息

[>>TE Connectivity\(泰科\)](#)