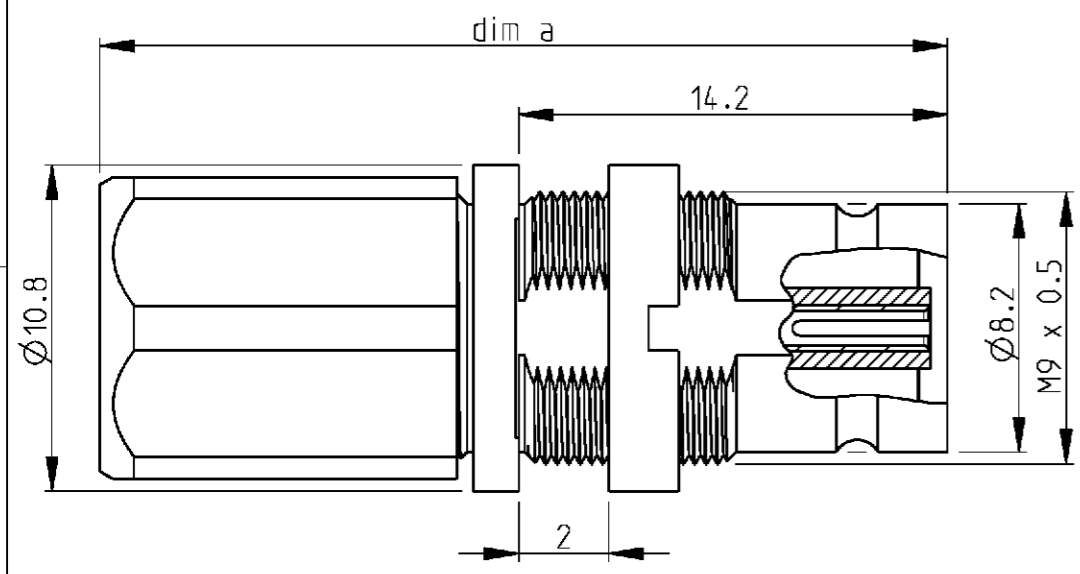


THIS DRAWING IS UNPUBLISHED. RELEASED FOR PUBLICATION 2000  
 © COPYRIGHT 2000 BY TYCO ELECTRONICS CORPORATION. ALL RIGHTS RESERVED.

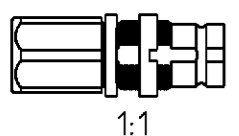
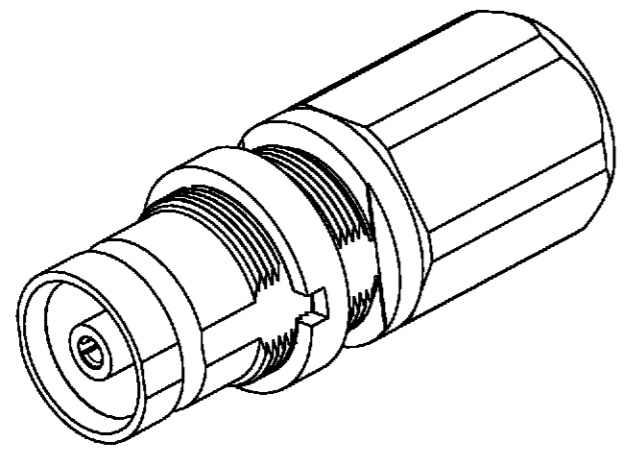
LOC	DIST	REVISIONS			
P	LTR	DESCRIPTION	DATE	DWN	APVD
GW	-	A	-	05APR2001	BL KM
		A1	REV PER ECO-09-026495	01NOV09	KK AEG



Cross reference table

Old part number	Tyco part number	Description	Material	Plating	dim a	Appl spec	Cable type
V23612-A603-G76A 4	<del>3-1393682-7</del> 4	Outer conductor	Brass	1 µm Au min in contact area	28.1	114-71017	02Y(sT)CY 0.45/2.0
		Center conductor	CuBe	1 µm Au min in contact area			
		Dielectric	PEEK	-			
V23612-A603-G76 6	<del>3-1393682-6</del>	Outer conductor	Brass	1 µm Au min in contact area	28.1	114-71017	02Y(sT)CY 0.45/2.0
		Center conductor	CuBe	1 µm Au min in contact area			
		Dielectric	PEEK	-			
V23612-A603-G66 5	3-1393682-5	Outer conductor	Brass	1 µm Au min in contact area	30.4	114-71018	2YCY 0.7/4.4 2YC (mS) CY 0.5/3.0 RG 59 B/U ST120
		Center conductor	CuBe	1 µm Au min in contact area			
		Dielectric	PEEK	-			
V23612-A603-G45A 6	<del>3-1393682-4</del> 4	Outer conductor	Brass	1 µm Au min in contact area	28.1	114-71017	2YCCY 0.4/2.5 2YC (mS)CY 0.4/2.5
		Center conductor	CuBe	1 µm Au min in contact area			
		Dielectric	PEEK	-			
V23612-A603-G45	3-1393682-3	Outer conductor	Brass	1 µm Au min in contact area	28.1	114-71017	02Y(sT)CY 0.45/2.0
		Center conductor	CuBe	1 µm Au min in contact area			
		Dielectric	PEEK	-			
V23612-A603-G42	3-1393682-2	Outer conductor	Brass	1 µm Au min in contact area	28.1	114-71017	2YCY 0.4/2.5
		Center conductor	CuBe	1 µm Au min in contact area			
		Dielectric	PEEK	-			

- 6 OBSOLETE PARTS: OBSOLETE CIS STREAMLINING PER D.RENAUD/D.SINISI
- 5 Application specification : 114-71018
- 4 Packed in tray
- 3. Mating face according to DIN 47295 / CECC 22240.
- 2. All dimensions are maximum dimensions.
- 1. All parts supplied as loose parts.



THIS DRAWING IS A CONTROLLED DOCUMENT FOR TYCO ELECTRONICS CORPORATION. IT IS SUBJECT TO CHANGE AND THE CONTROLLING ENGINEERING ORGANIZATION SHOULD BE CONTACTED FOR THE LATEST REVISION.

DIMENSIONS: mm	TOLERANCES UNLESS OTHERWISE SPECIFIED:	DWN 23MAR2001 B. Lenvain	Tyco Electronics Oostkamp - Belgium
0 PLC ±	1 PLC ±	CHK 05APR2001 K. Mattheeuws	
2 PLC ±	3 PLC ±	APVD 05APR2001 R. Leeman	NAME Bulkhead Jack 1.6/5.6
4 PLC ±	ANGLES ±	PRODUCT SPEC -	SIZE A3 CAGE CODE 00779 DRAWING NO. 3-1393682-2 RESTRICTED TO -
MATERIAL -	FINISH -	APPLICATION SPEC See table	WEIGHT -
		CUSTOMER DRAWING	SCALE 4/1 SHEET 1 OF 1 REV A1

单击下面可查看定价，库存，交付和生命周期等信息

[>>TE Connectivity\(泰科\)](#)