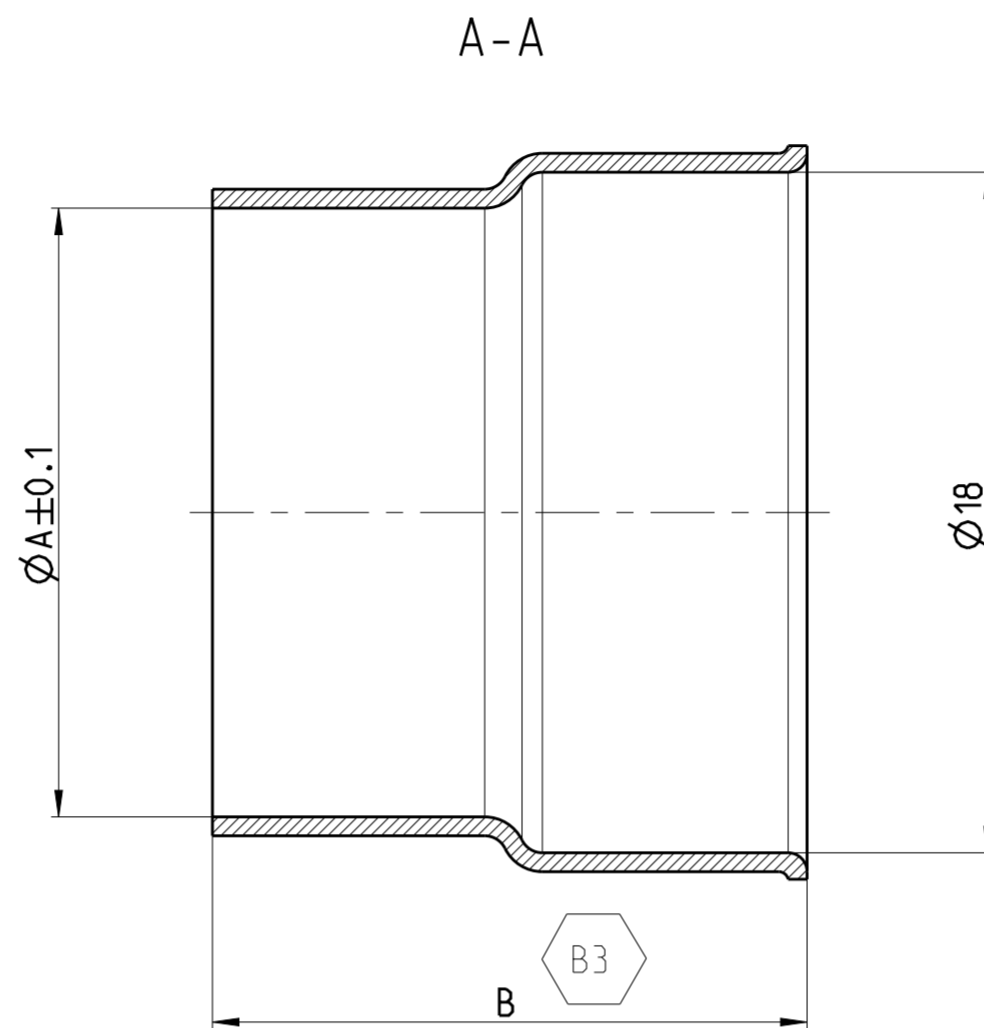
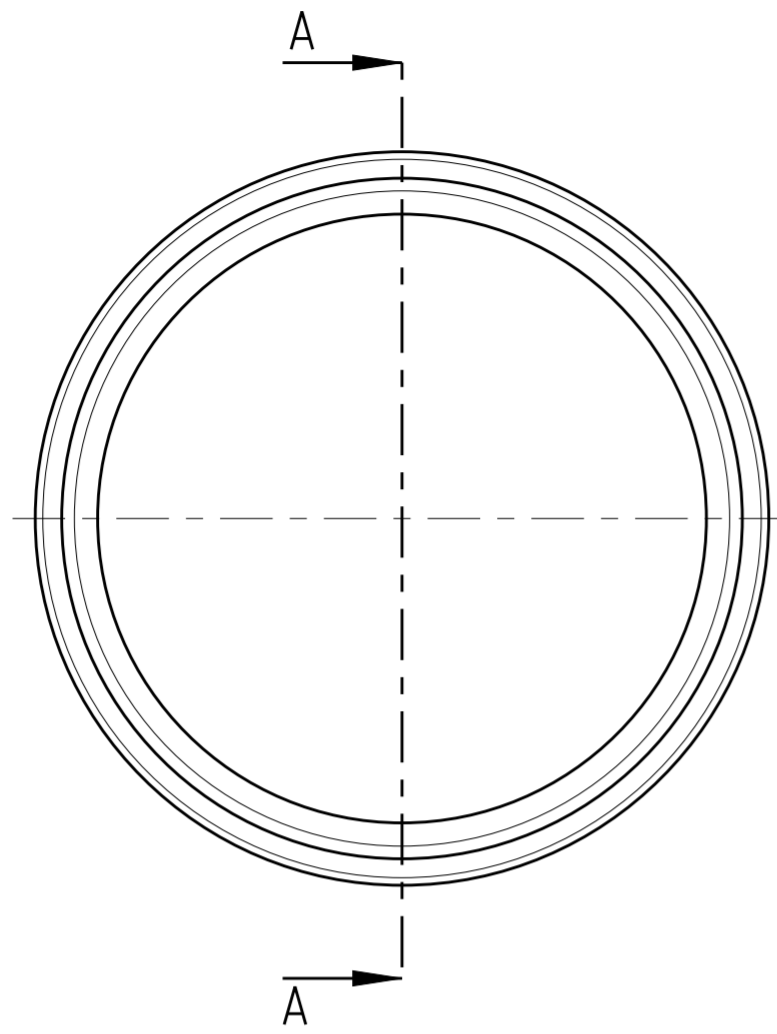


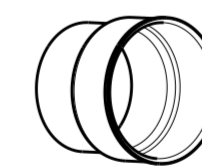
REVISIONS					
P	LTR	DESCRIPTION	DATE	DWN	APVD
B		TABLE UPDATED	19AUG2015	W.SA	DHV
B1		TABLE UPDATED	02MAR2016	W.SA	DHV
B2		New PN 9-2141157-6 added in table	08MAY2019	JJH	TSV
B3		Dimension type updated	09MAY2020	SK	TS



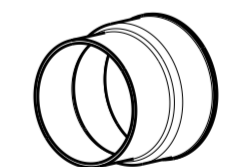
- 1 ONLY THE GERMAN LANGUAGE IS AUTHORITATIVE
Massgebend ist der deutsche Text
- 2 PACKAGING: BULK PACKAGING IN PLASTIC BAG AND SHIPPING BOX
Verpackung: Schuetftgut in Folienbeutel und Versandkarton

NOTE Bem.	FEATURE Merkmal	TE-PART-NO. TE-Teile-Nr.
3	PART OF 2 POS. 8MM HV. REC HSG. KIT. 90DEG. SEALED Komponente von 2 pol. gedichtetes KIT. 8mm HV. 90Grad	2141160 2282334
4	PART OF 3 POS. 8MM HV. REC HSG. KIT. 90DEG. SEALED Komponente von 3 pol. gedichtetes KIT. 8mm HV. 90Grad	2141167 2282335
5	PRODUCT-SPEC. Produkt-Spez.	108-94268
6	APPLICATION SPEC. Verarbeitungsspez.	114-94052

9-2141157-6	SHIELD CRIMP FERRULE.90DEG Crimphuelse. 90Grad	15.6	15.7	50mm ² General Cable Prestolite ES-2364 for FCA Specific	CU - ALLOY	4.41	BLANK blank
9-2141157-5	SHIELD CRIMP FERRULE.90 DEG FOR HUBER & SUHNER CABLE Crimphuelse. 90 Grad fuer HUBER & SUHNER Kabel	13.1	(15.7)	35mm ² HUBER & SUHNER	CU - ALLOY	3.8	BLANK blank
9-2141157-4	SHIELD CRIMP FERRULE.90DEG Crimphuelse. 90Grad	10.5	15.7	16	CU - ALLOY	3.8	BLANK blank
9-2141157-3	SHIELD CRIMP FERRULE.90DEG Crimphuelse. 90Grad	12.5	15.7	25	CU - ALLOY	3.8	BLANK blank
9-2141157-2	SHIELD CRIMP FERRULE.90DEG Crimphuelse. 90Grad	14.7	15.7	35	CU - ALLOY	3.8	BLANK blank
9-2141157-1	SHIELD CRIMP FERRULE.90DEG Crimphuelse. 90Grad	16.1	15.7	50	CU - ALLOY	3.8	BLANK blank
TE-PART NO. TE-Teile-Nr.	DESCRIPTION Benennung	DIMENSION $\varnothing A$ Mass $\varnothing A$	DIMENSION B Mass B	FOR/fuer WIRE SIZE (mm ²) ACCORDING LV216 Leitungsquerschnitt (mm ²)	MATERIAL	WEIGHT Gewicht [g]	SURFACE Oberflaeche



1:1



1:1

9- -1 AS SHOWN
wie gezeichnet

THIS DRAWING IS A CONTROLLED DOCUMENT.		DWN W.Saenger 28JUN2011	TE Connectivity
DIMENSIONS: mm		CHK U.Hoepfner 29JUL2011	
TOLERANCES UNLESS OTHERWISE SPECIFIED: DIN ISO 2768-mK		APVD W.Balles 25JUL2011	
1 PLC 2 PLC 3 PLC ANGLES FINISH		NAME SHIELD CRIMP FERRULE.90DEG Crimphuelse. 90Grad	
MATERIAL		PRODUCT SPEC	SIZE A2
		APPLICATION SPEC	CAGE CODE 00779
		WEIGHT	DRAWING NO C-2141157
		CUSTOMER DRAWING	RESTRICTED TO
		SCALE 5:1	SHEET 1 OF 1
			REV B3

单击下面可查看定价，库存，交付和生命周期等信息

[>>TE Connectivity\(泰科\)](#)