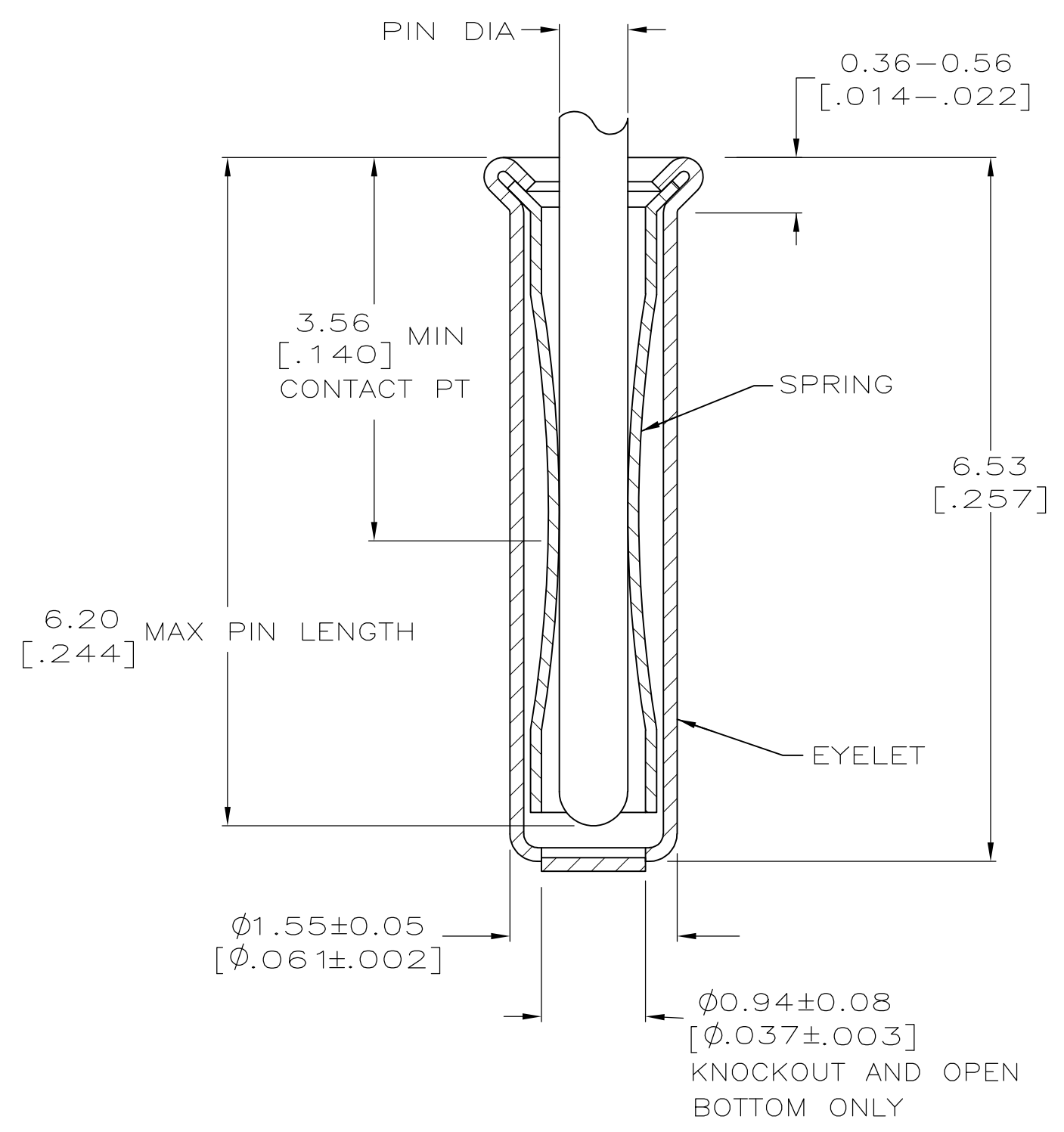
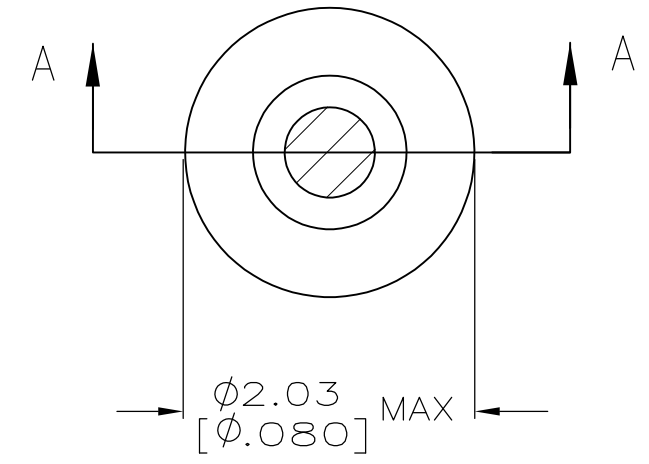


LOC	DIST	REVISIONS			
P	LTR	DESCRIPTION	DATE	OWN	APVD
FT	64	P	REVISED PER ECO-11-004835	11MAR11	RK HMR



- 1. TIN PLATE PER ASTM-B-545 0.00254 [.000100] MIN THK.
- 2. GOLD PER MIL-G-45204, TYPE II, 0.00076 [.000030] MIN THK OVER NICKEL PER QQ-N-290 0.00028 [.000011] MIN THK ON CONTACT AREA.
- 3. RECOMMENDED HOLE SIZE, PLATED OR UNPLATED:
 MACHINE INSERTION: $1.57 \begin{matrix} +0.10 \\ -0.08 \end{matrix}$ [$.062 \begin{matrix} +.004 \\ -.003 \end{matrix}$]
 HAND INSERTION: $1.60 \begin{matrix} +0.10 \\ -0.00 \end{matrix}$ [$.063 \begin{matrix} +.004 \\ -.000 \end{matrix}$]
- 4. APPLICATION TOOL PART NUMBER: MACHINE NO. 682127-4
 INSERTION HEAD NO. 682039-3
- 5. TO INSURE PROPER SPRING TENSION DO NOT EXCEED A 0.05 [.002] DIFFERENCE IN PIN DIA WHEN CHANGING TO A SMALLER PIN.
- 7. BOTTOM PLUG KNOCKOUT TOOL PART NUMBER 69729 WITH TIP PART NUMBER 69728-1.
- 5. SPRING: BERYLLIUM COPPER QQ-C-533
- 6. EYELET: COPPER QQ-C-576

OPEN	0.66-0.84 [.026-.033]	TIN	TIN	5050864-8
CLOSED		TIN	GOLD	5050864-6
OPEN				5050864-5
CLOSED				5050864-1
BOTTOM TYPE	RECOMMENDED PIN DIA	EYELET	SPRING	PART NO
		FINISH		
THIS DRAWING IS A CONTROLLED DOCUMENT.		TE Connectivity		
DIMENSIONS: mm[INCHES] TOLERANCES UNLESS OTHERWISE SPECIFIED: 0 PLC ± - 1 PLC ± - 2 PLC ± - 3 PLC ± 0.20 [.008] 4 PLC ± - ± - ANGLES ± - ± -		APVD J. HAVENER 04-20-05 NAME MINIATURE SPRING SOCKET ASSEMBLY SERIES 3 PRODUCT SPEC 108-14008 APPLICATION SPEC 114-26000		
MATERIAL		WEIGHT	SIZE	CAGE CODE
FINISH SEE TABLE		-	A2	00779
		CUSTOMER DRAWING	DRAWING NO	RESTRICTED TO
			G-5050864	-
		SCALE 20:1	SHEET 1 of 1	REV P

单击下面可查看定价，库存，交付和生命周期等信息

[>>TE Connectivity\(泰科\)](#)