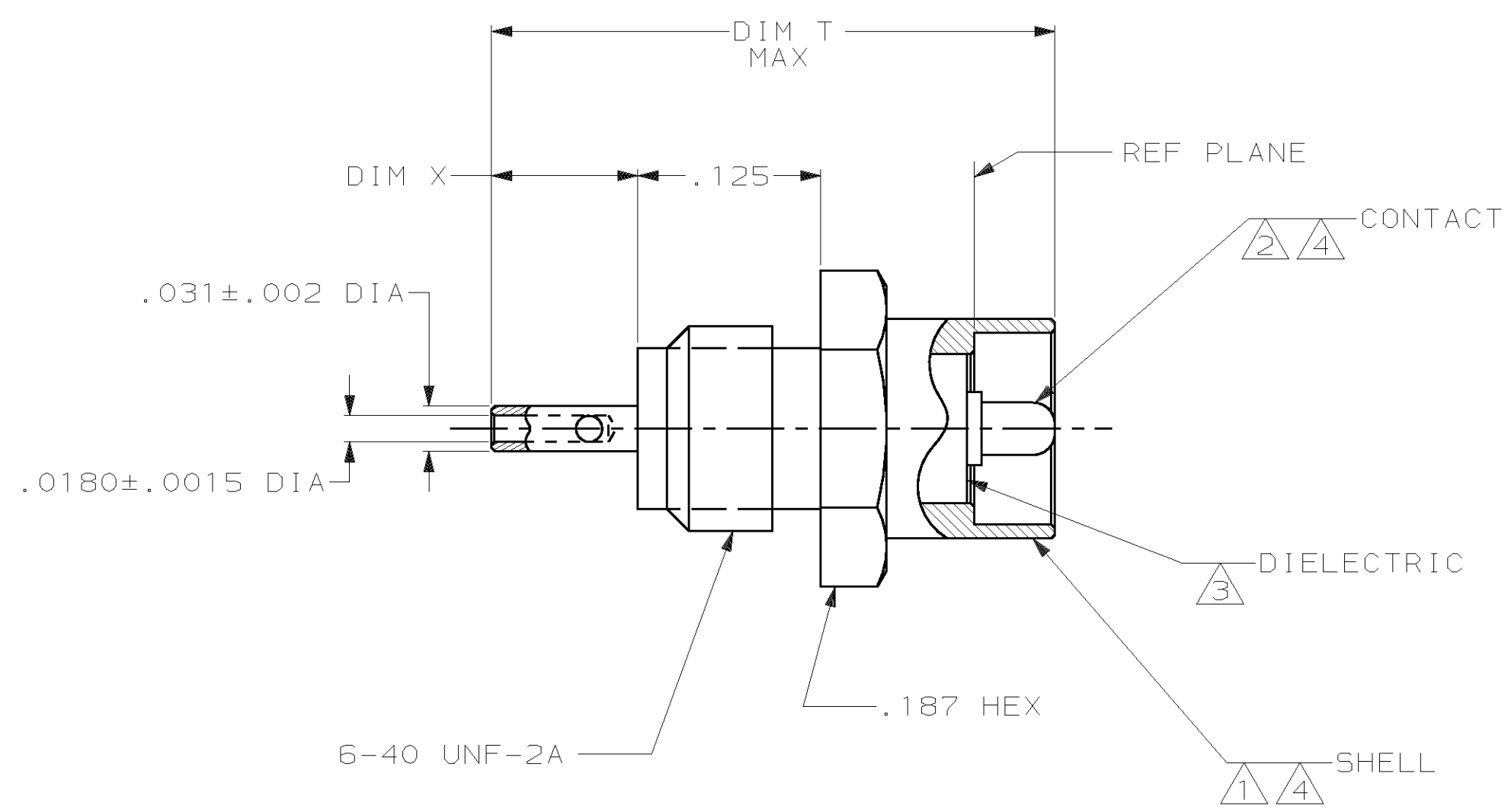
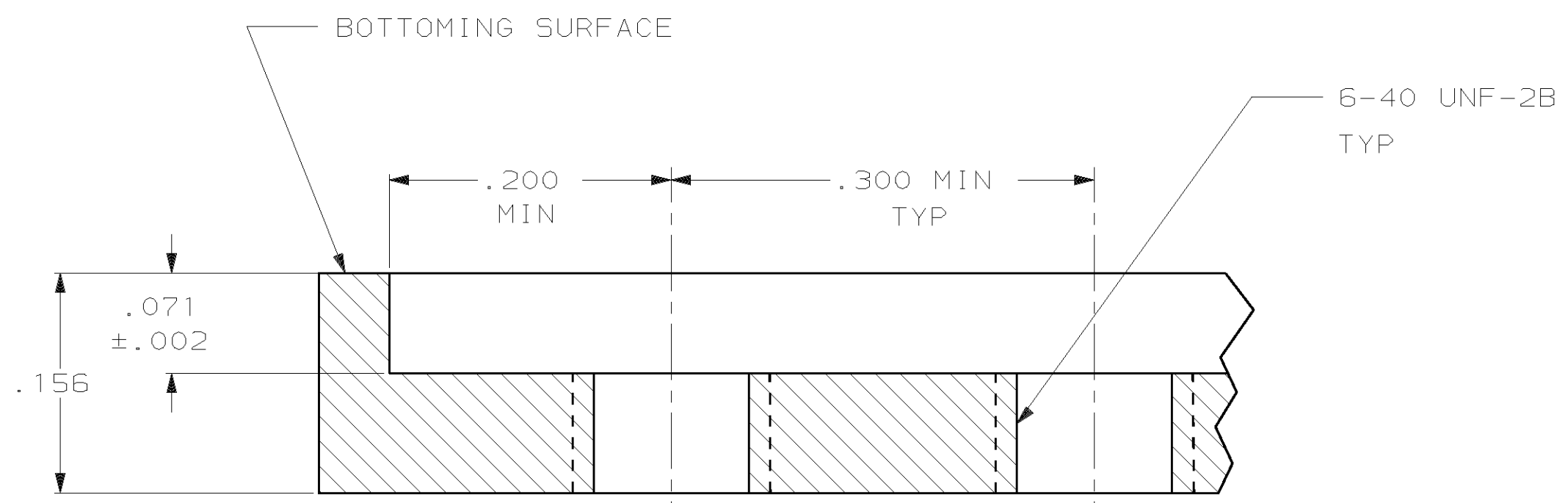


THIS DRAWING IS UNPUBLISHED. RELEASED FOR PUBLICATION .19
 (C) COPYRIGHT 19 BY AMP INCORPORATED. ALL RIGHTS RESERVED.

LOC		DIST		REVISIONS			
P	LTR	DESCRIPTION	DATE	DWN	APVD		
	A	REV PER 063D-0481-01	11-01	CT	RG		



- 1 BERYLLIUM COPPER PER QQ-C-530
- 2 BRASS PER QQ-B-626
- 3 PTFE PER MIL-P-19468
- 4 GOLD PL PER MIL-G-45204



PANEL LAYOUT

OBSOLETE	.465	.125	413020-3
	-	-	413020-2
	.400	.060	413020-1
	DIM T	DIM X	PART NUMBER

THIS DRAWING IS A CONTROLLED DOCUMENT.		DWN T. THOMPSON 2-21-95	tyco TYCO Electronics Corporation Harrisburg, PA 17105-3608	LAUNCHER, BL INDMATE, 2.8MM
DIMENSIONS: INCHES		CHK L. LE 2-21-95		
TOLERANCES UNLESS OTHERWISE SPECIFIED:		APVD L. LE 2-21-95	NAME	
0 PLC ±		PRODUCT SPEC		
1 PLC ±		APPLICATION SPEC		
2 PLC ±		-		
3 PLC ±.00B		-		
4 PLC ±		-		
ANGLES ±5°		-		
MATERIAL 1 2 3	FINISH 4	WEIGHT -	SIZE A2	CAGE CODE 00779
CUSTOMER DRAWING		SCALE 10:1	DRAWING NO 413020	RESTRICTED TO -

单击下面可查看定价，库存，交付和生命周期等信息

[>>TE Connectivity\(泰科\)](#)