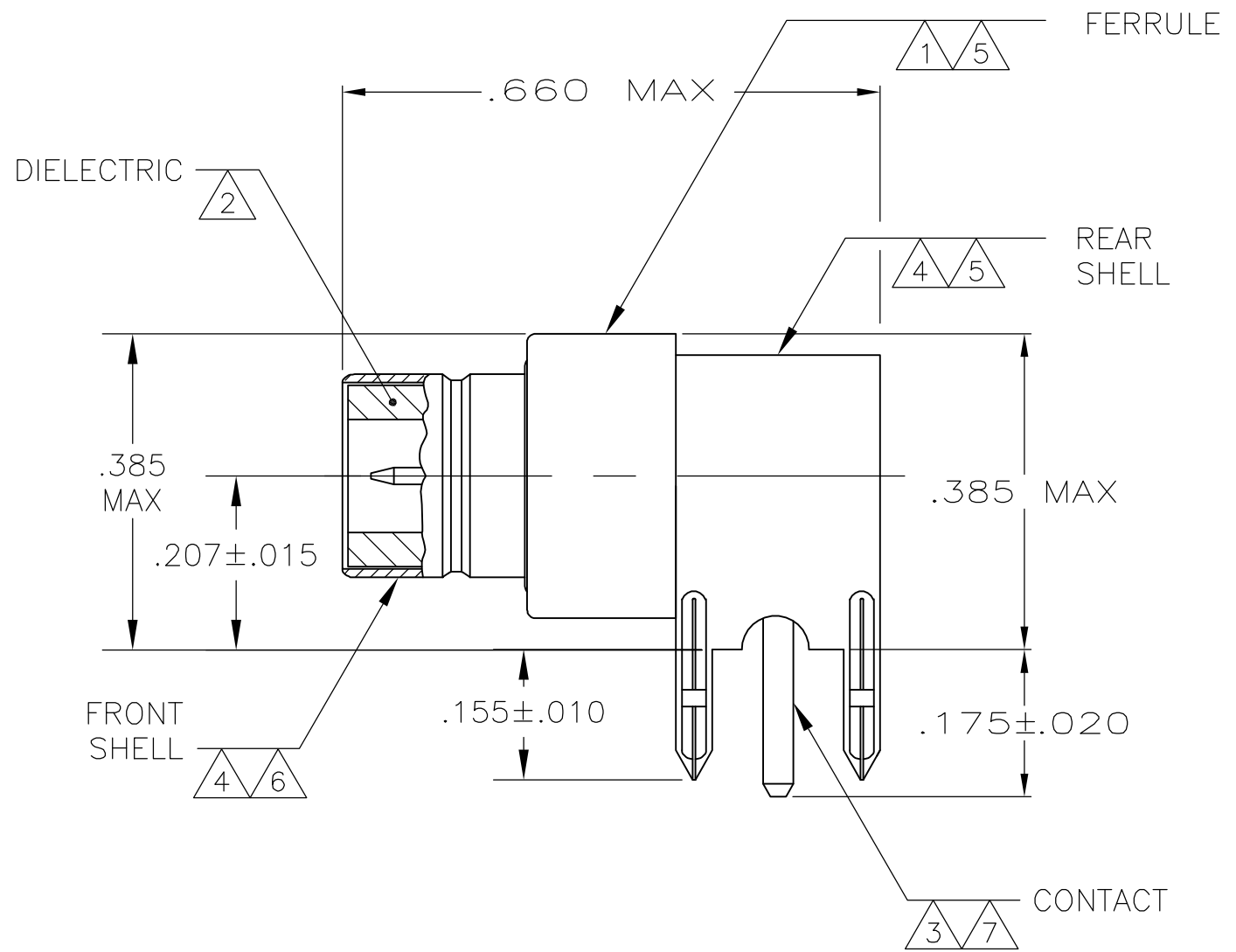
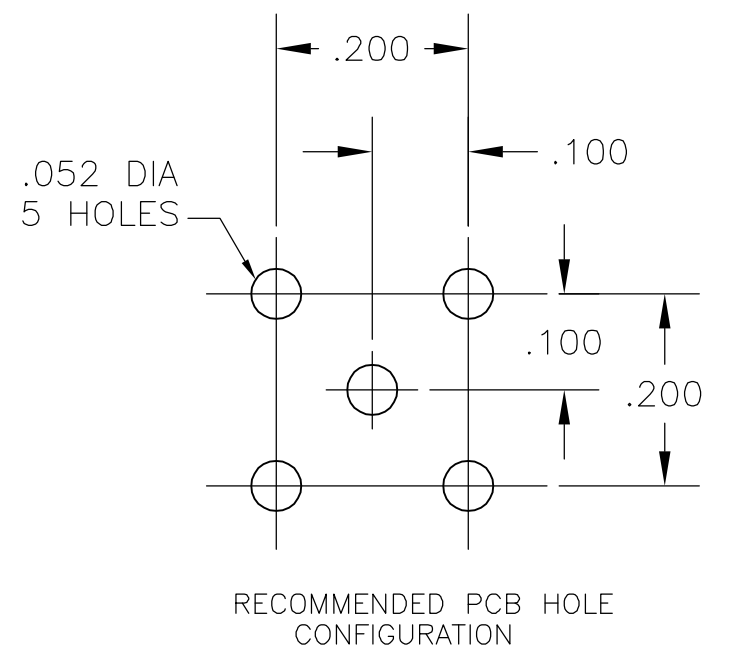


THIS DRAWING IS UNPUBLISHED. RELEASED FOR PUBLICATION  
 © COPYRIGHT - BY TYCO ELECTRONICS CORPORATION. ALL RIGHTS RESERVED.

LOC	DIST	REVISIONS			
P	LTR	DESCRIPTION	DATE	DWN	APVD
		0	RELEASED PER 0S14-0496-04.	25JAN2005	JGH/JGH



- 1 COPPER PER ASTM-B-152.
- 2 POLYPROPYLENE, GENERAL PURPOSE.
- 3 BRASS PER ASTM-B-16.
- 4 BRASS PER ASTM-B-36.
- 5 TIN PLATE PER ASTM-B-545.
- 6 NICKEL PLATE PER QQ-N-290.
- 7 GOLD PLATE PER ASTM-B-488.



5221014-1  
 PART NUMBER

THIS DRAWING IS A CONTROLLED DOCUMENT.		DWN J. HAVENER 24JAN2005	Tyco Electronics Corporation Harrisburg, PA 17105-3608		
DIMENSIONS: INCHES		CHK J. HAVENER 25JAN2005	NAME		
TOLERANCES UNLESS OTHERWISE SPECIFIED:		APVD J. HAVENER 25JAN2005	CONNECTOR, PCB SERIES SMB		
0 PLC ± -		PRODUCT SPEC	SIZE	CAGE CODE	DRAWING NO
1 PLC ± -		APPLICATION SPEC	A3	00779	C-5221014
2 PLC ± -		WEIGHT	RESTRICTED TO		
3 PLC ± .002			-		
4 PLC ± -			SCALE 5:1 SHEET 1 OF 1 REV 0		
ANGLES ± -					
MATERIAL SEE NOTES		FINISH SEE NOTES	CUSTOMER DRAWING		

单击下面可查看定价，库存，交付和生命周期等信息

[>>TE Connectivity\(泰科\)](#)