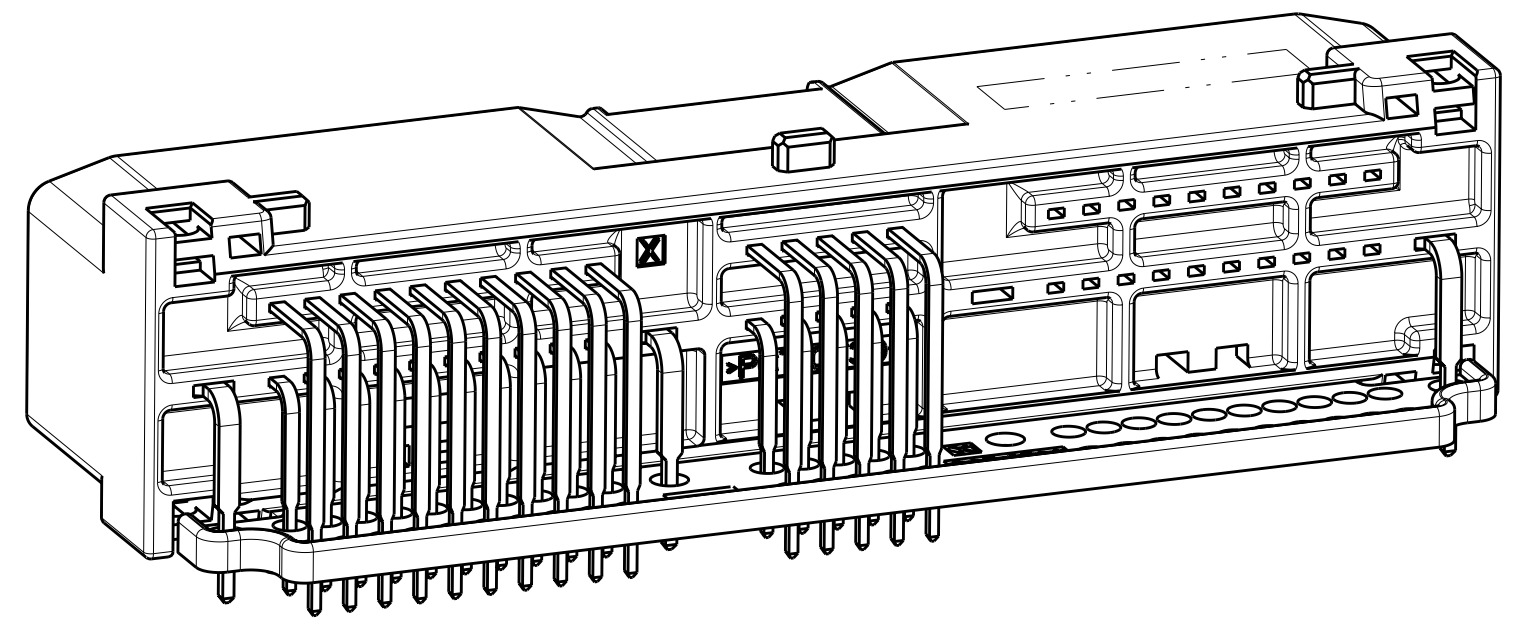
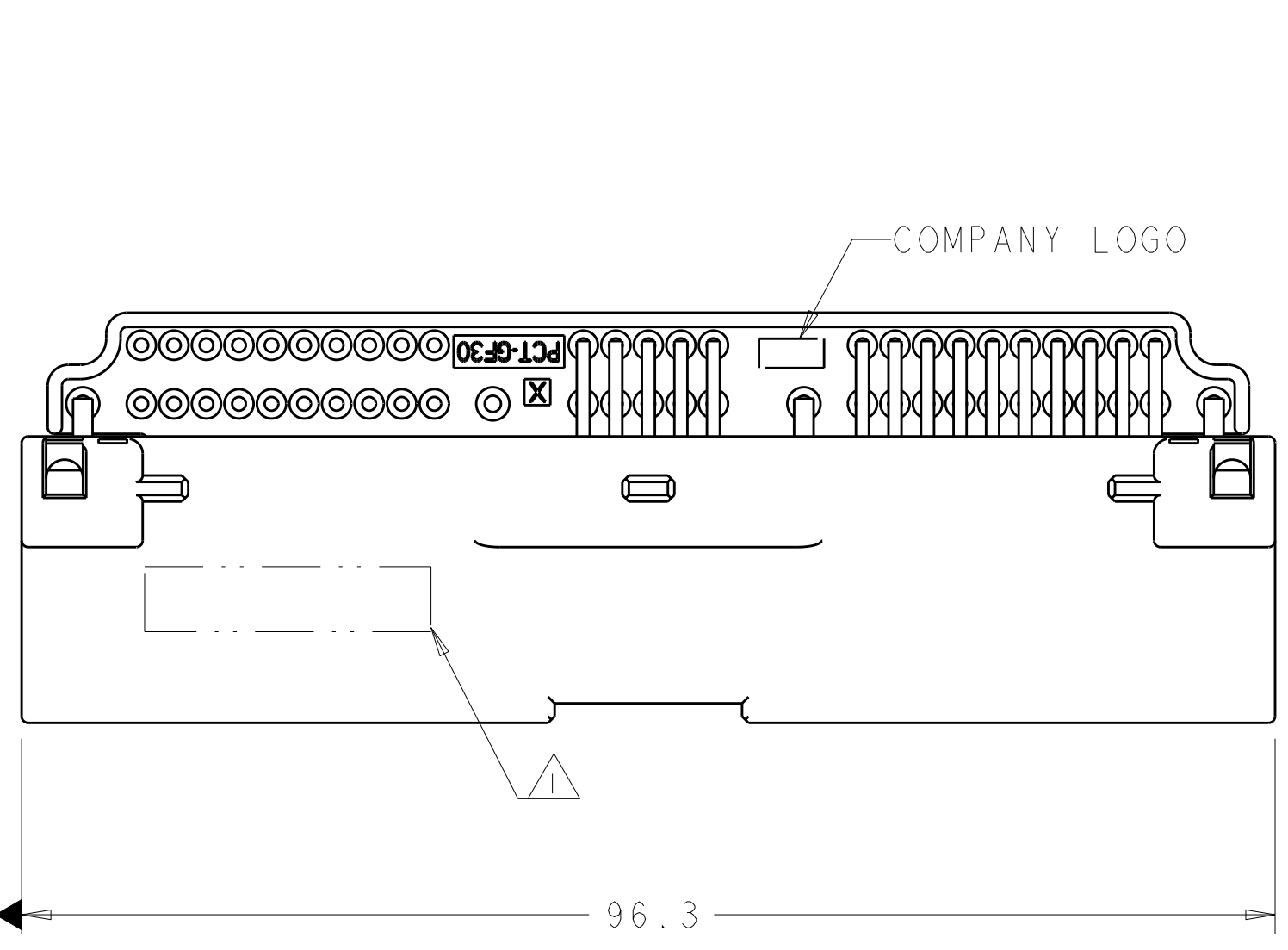
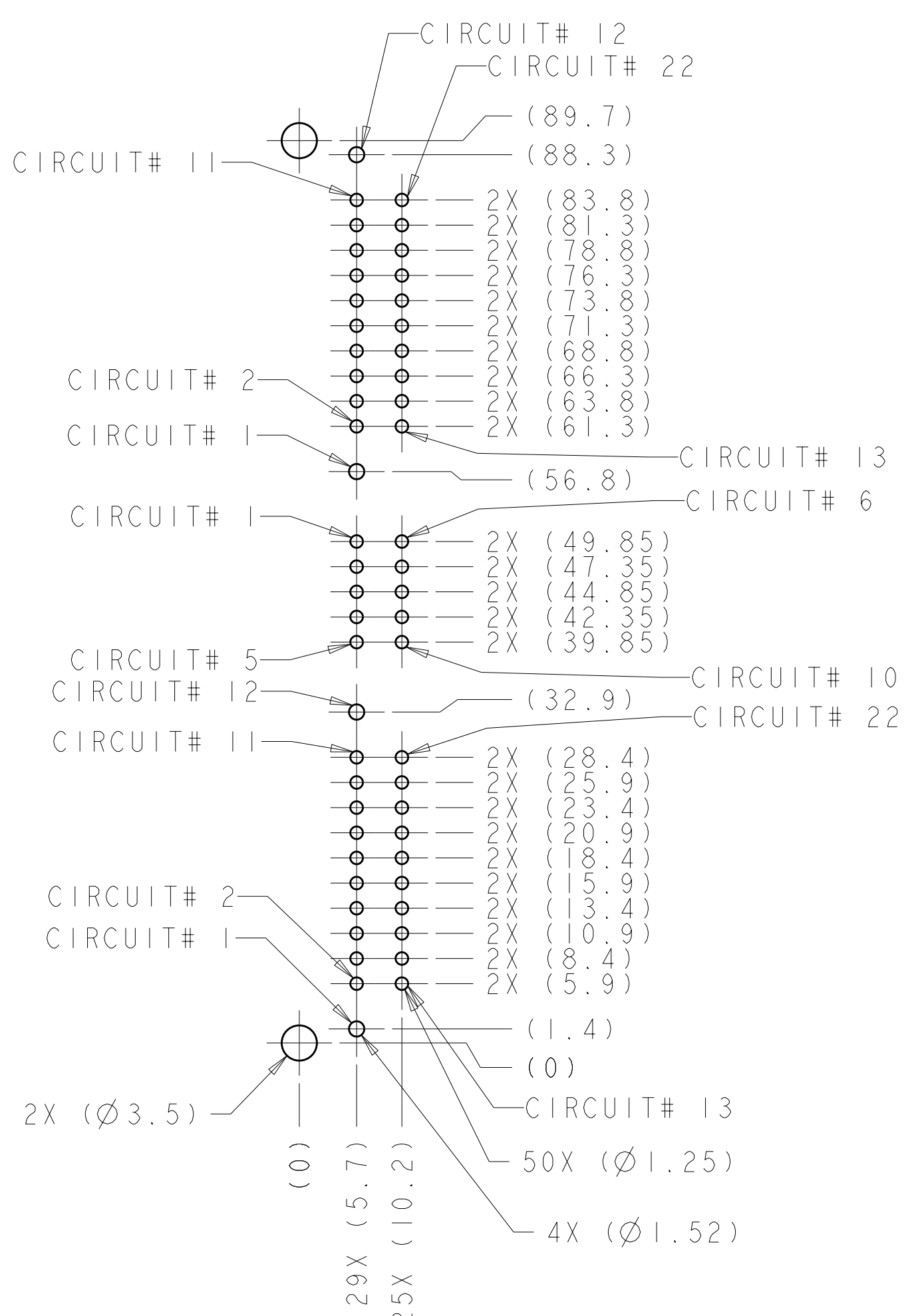
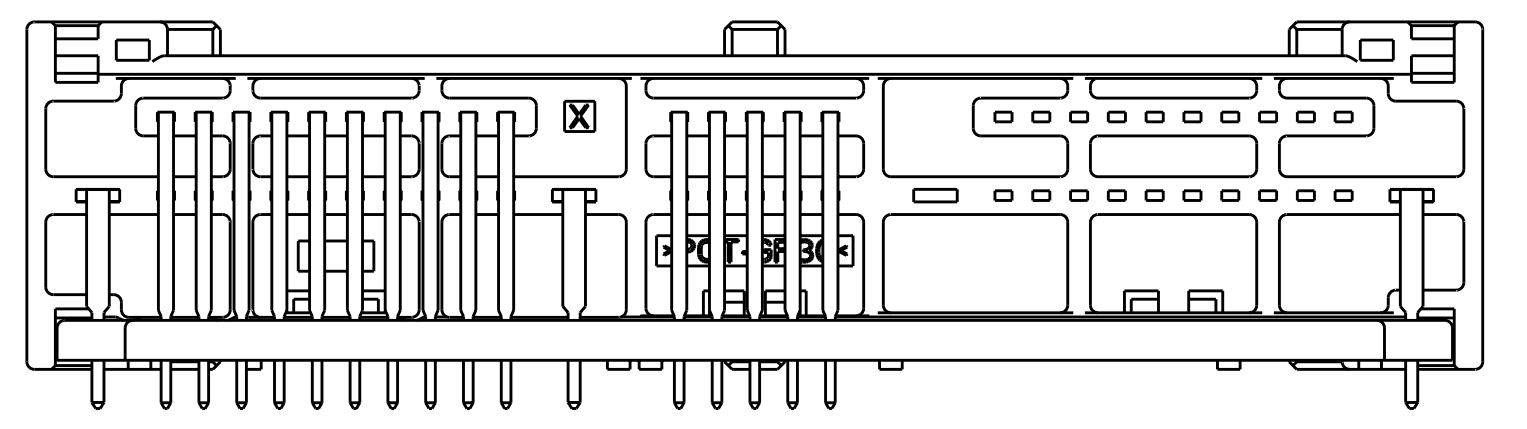
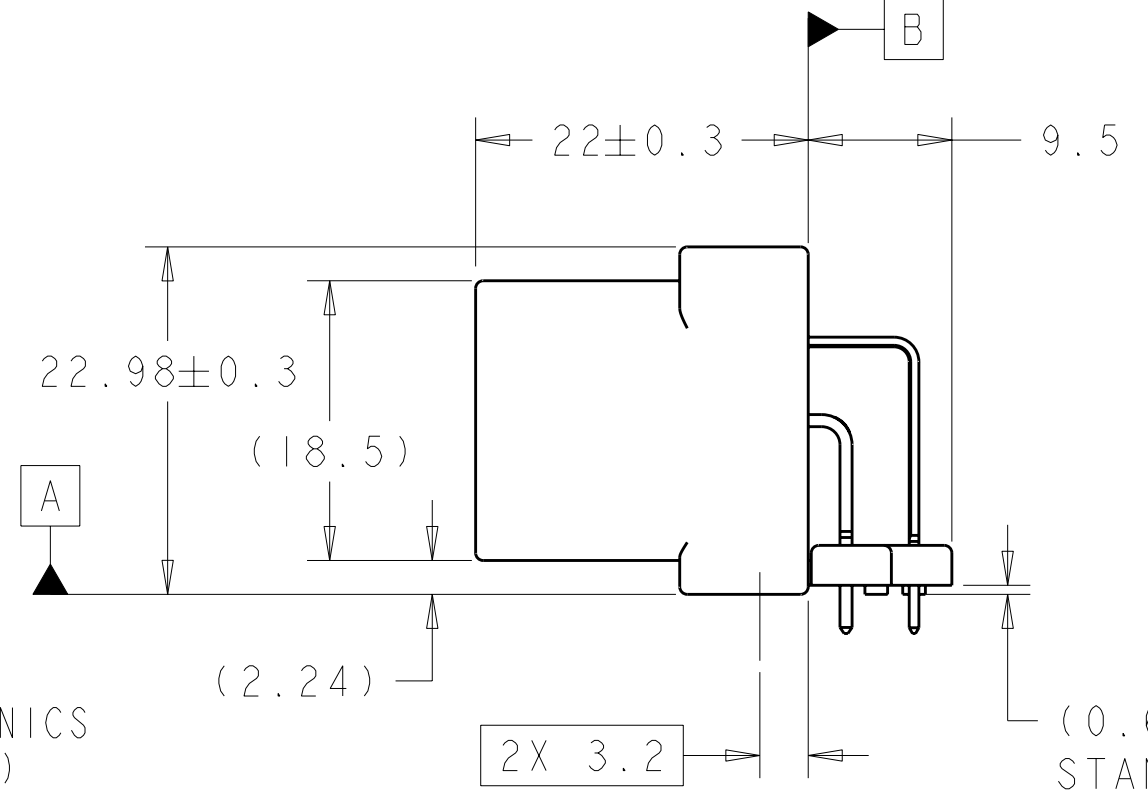
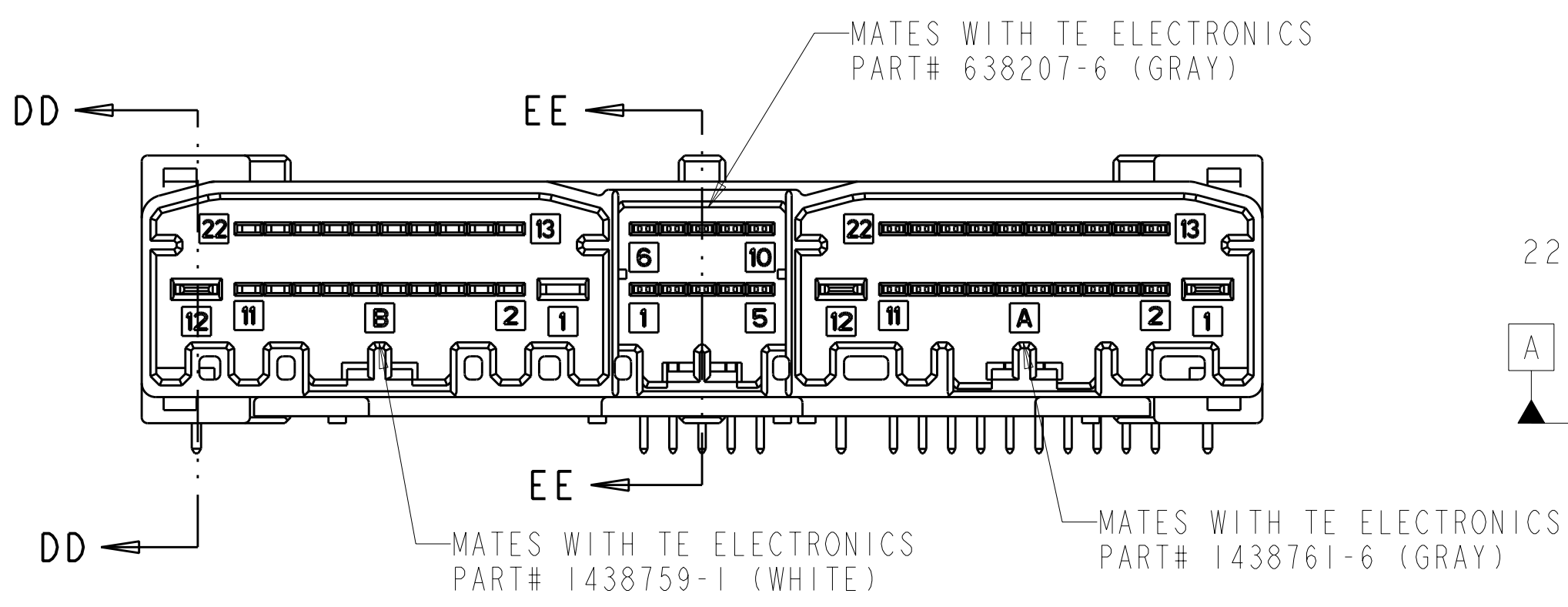


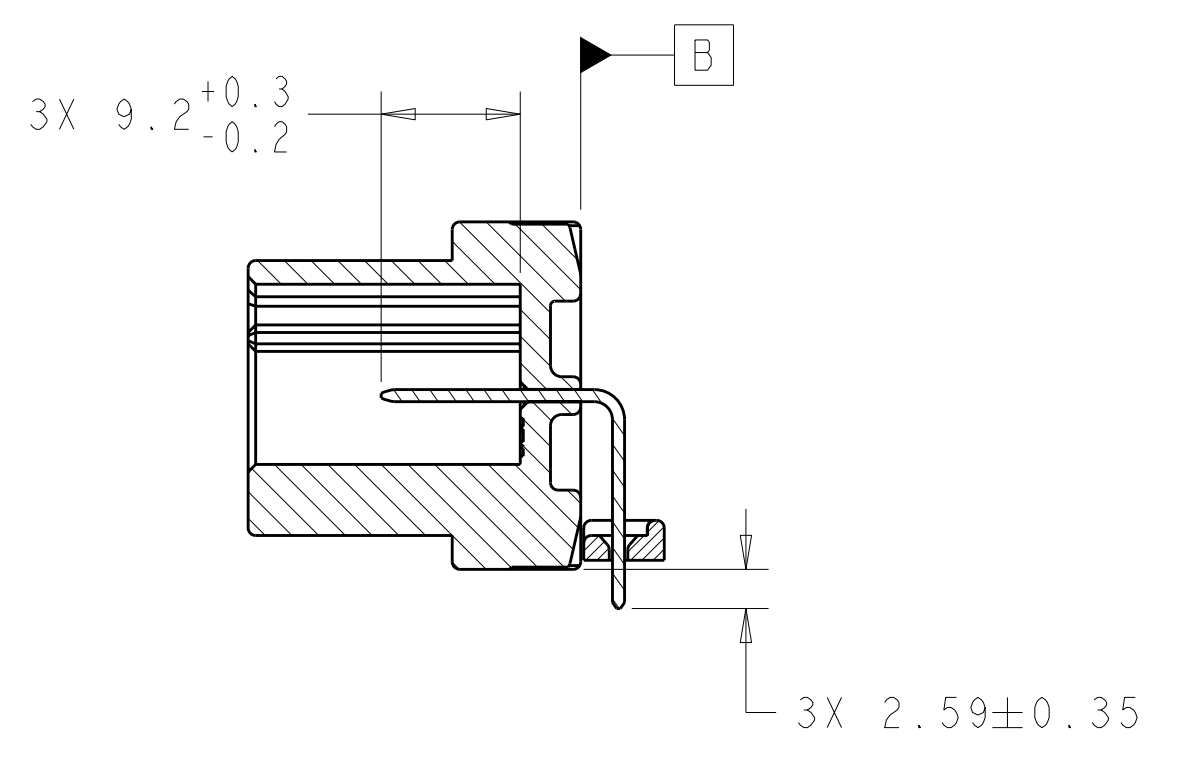
LOC	DIST	REV	DATE	BY	APP'D
FX	00				
REVISIONS					
A		RELEASED PER ECO-08-030915	17DEC2008	DLD	MHB
A1		REVISED PER ECO-09-001438	19JAN2009	DLD	MHB
A2		REVISED PER ECO-09-005658	05MAR2009	DLD	MHB
A3		REV PER ECR-10-012887	17JUN2010	VSS	MB



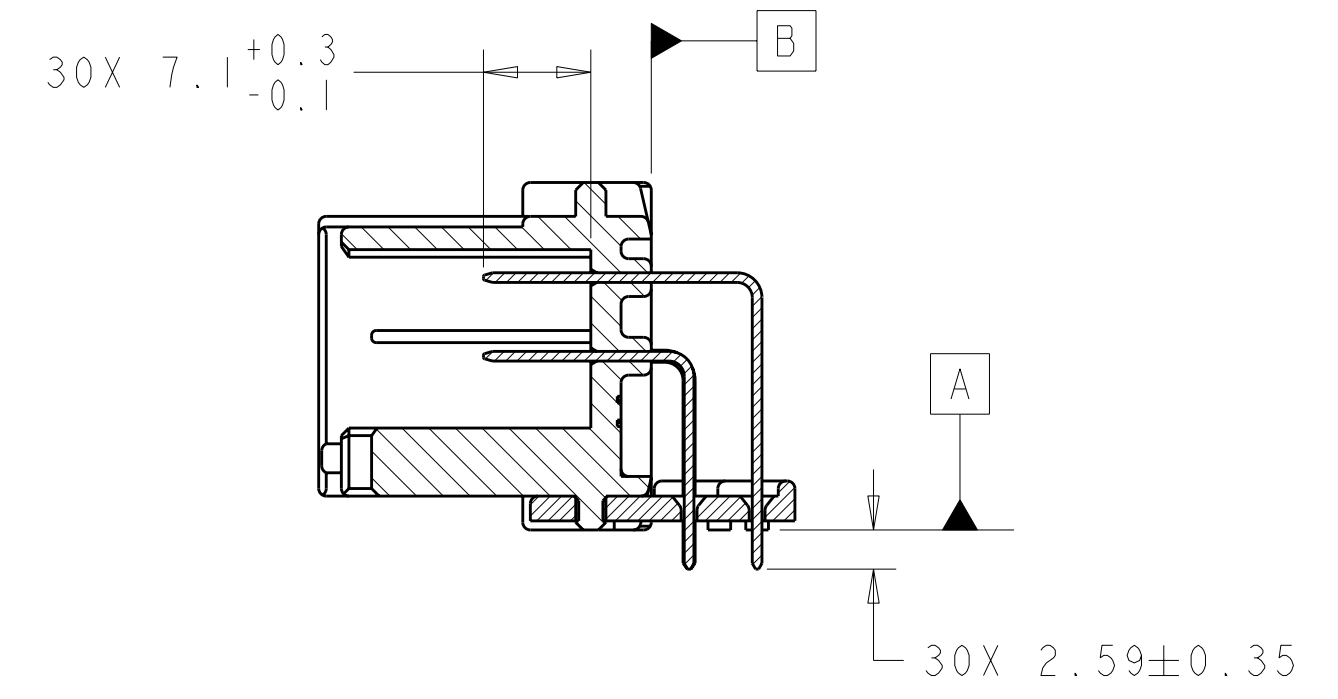
⚠ MARK DATE CODE IN APPROXIMATE LOCATION.



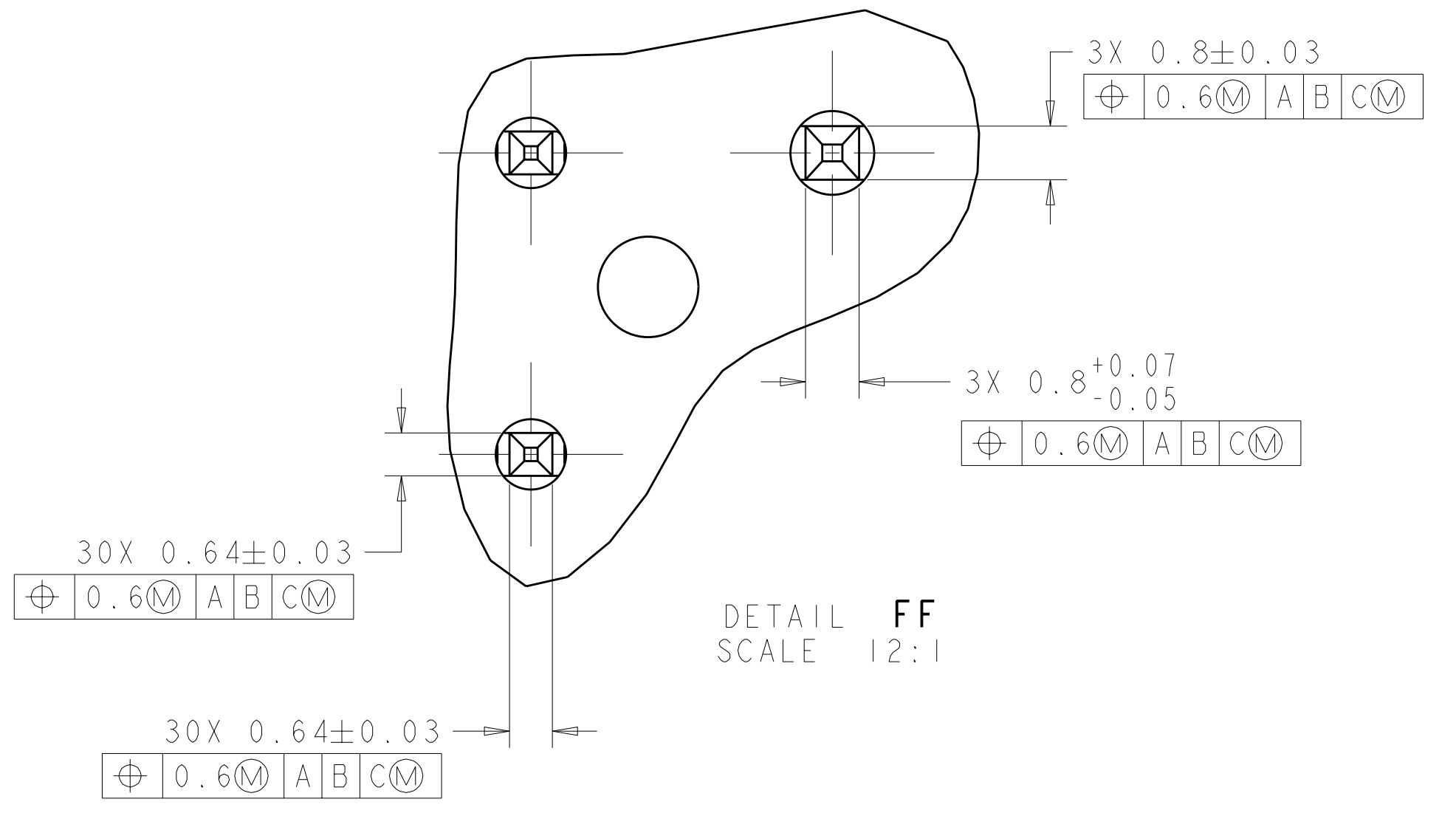
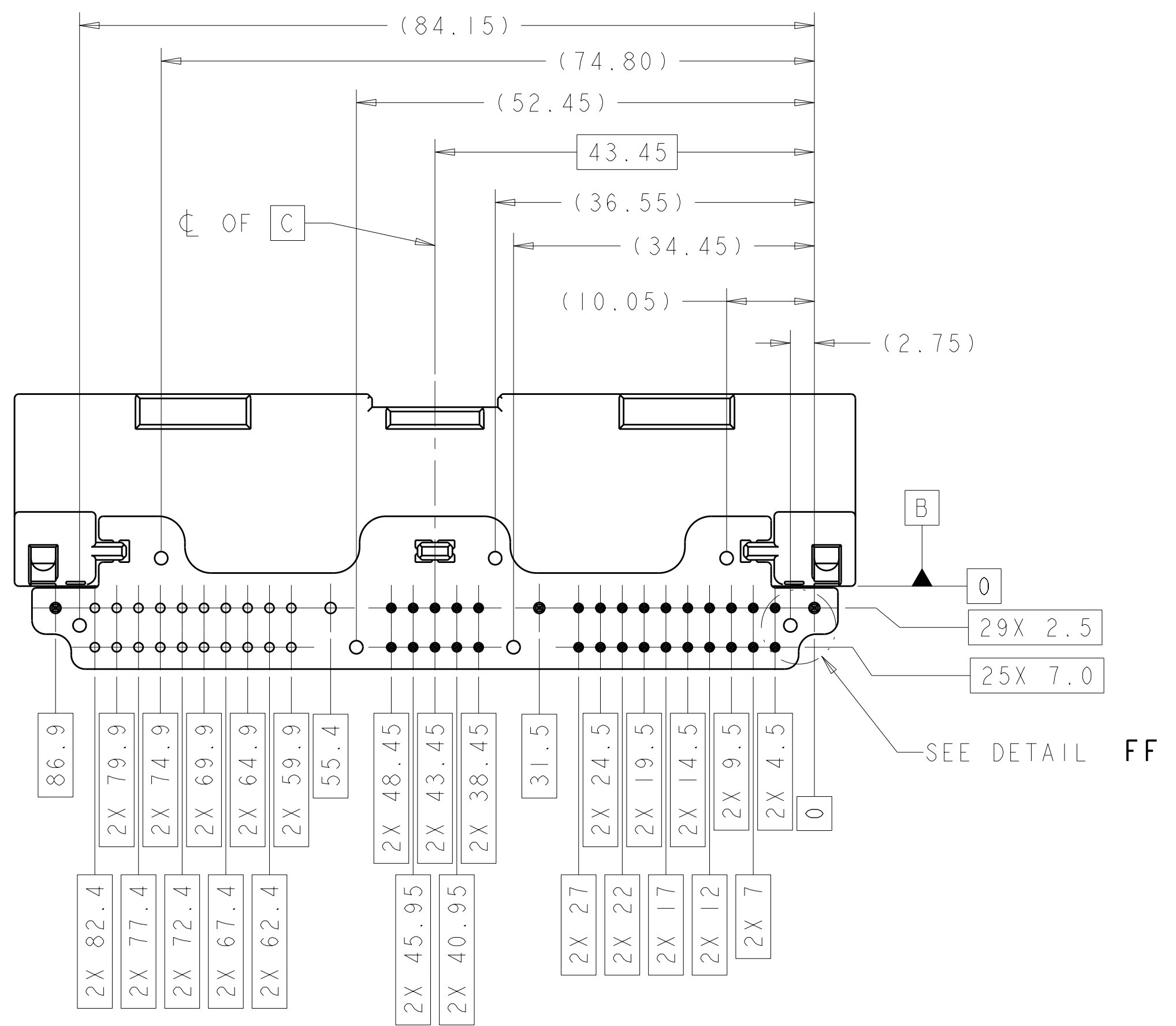
PC BOARD LAYOUT
CONNECTOR SIDE
(RECOMMENDED BOARD THICKNESS 1.57mm)



SECTION DD-DD



SECTION EE-EE



DETAIL FF
SCALE 12:1

PCT	GRAY	BRASS	POST-TIN	PCT	GRAY	9-2035371-6
MATERIAL	FINISH	MATERIAL	FINISH	MATERIAL	COLOR	PART NUMBER
TINE PLATE		CONTACT		HOUSING		
DIMENSIONS: mm		TOLERANCES UNLESS OTHERWISE SPECIFIED:		DWN DL DRUMMOND 17DEC2008		
9 PLC ±0.0		1 PLC ±0.3		CHK MH BANAS 17DEC2008		
5 PLC ±0.10		4 PLC ±		APVD MH BANAS 17DEC2008		
ANGLES ±		FINISH ±1*		NAME		
MATERIAL SEE TABLE		FINISH SEE TABLE		Tyco Electronics Harrisburg, PA 17105-3608		
CUSTOMER DRAWING		WEIGHT		33-WAY (DE-POPULATED 54-WAY) HYBRID, 040, 2.8 PINS DOWN, CAP ASSEMBLY		
SCALE 2:1		SHEET 1 OF 1		REV A3		

单击下面可查看定价，库存，交付和生命周期等信息

[>>TE Connectivity\(泰科\)](#)