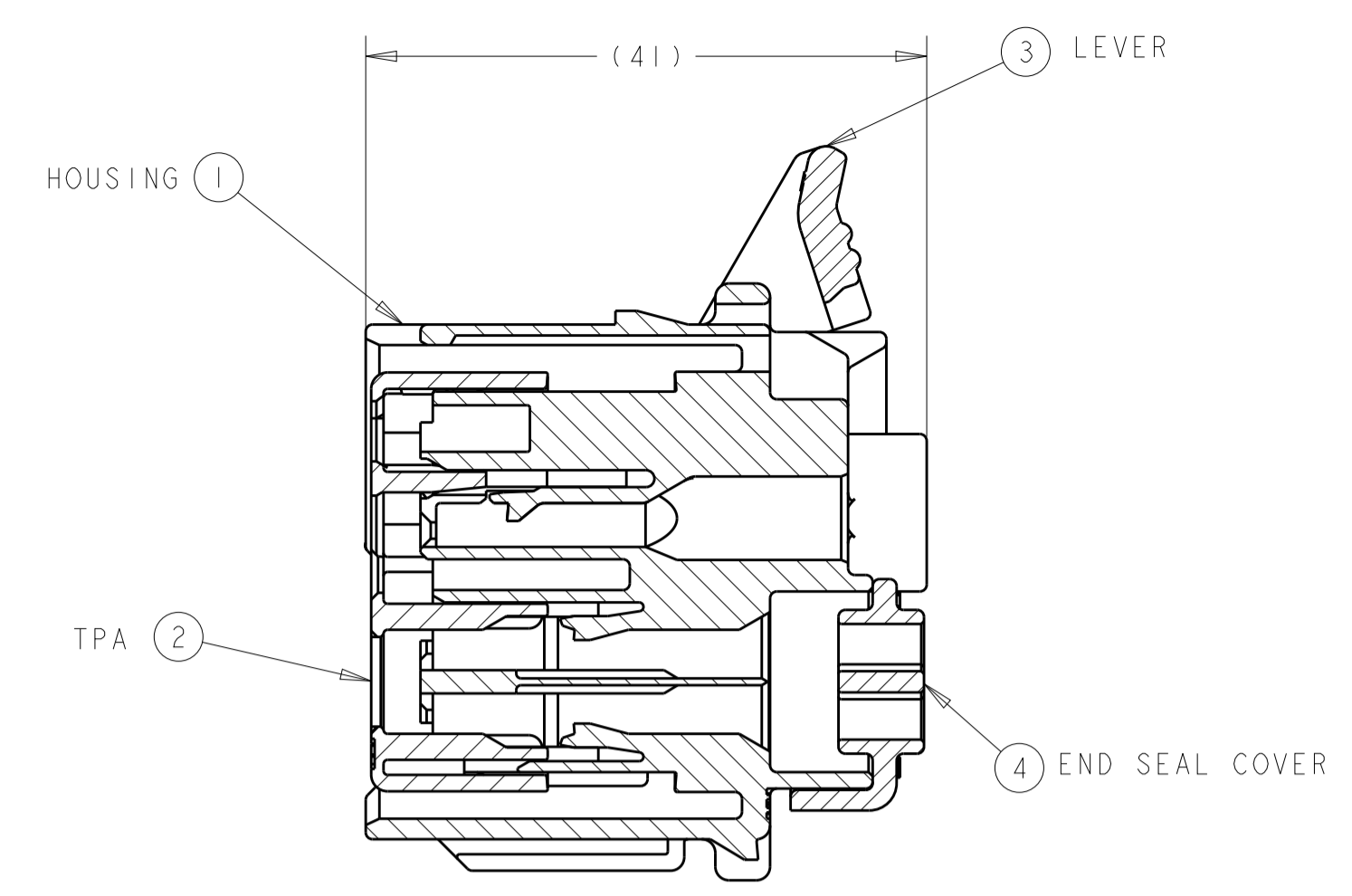
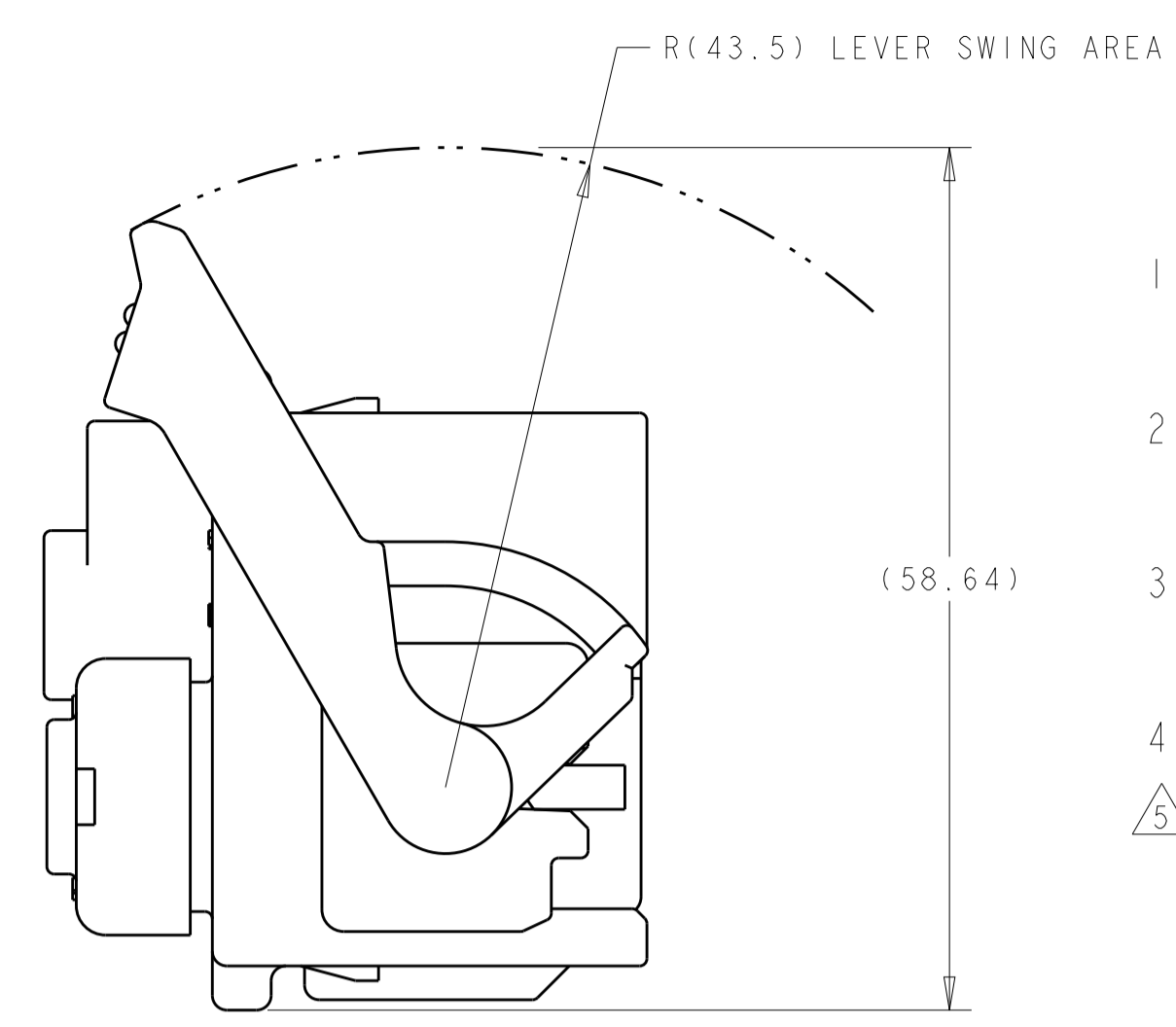
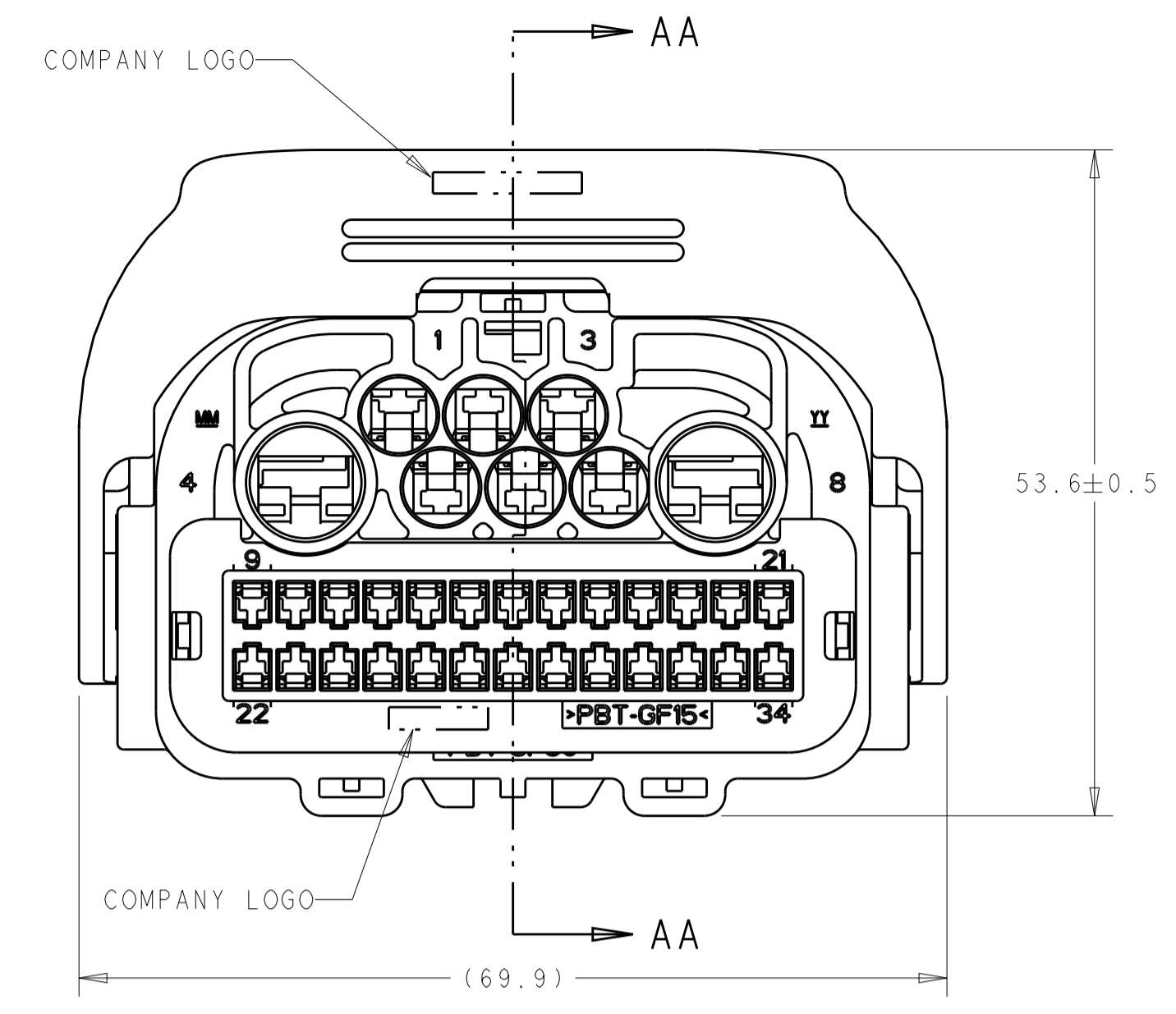


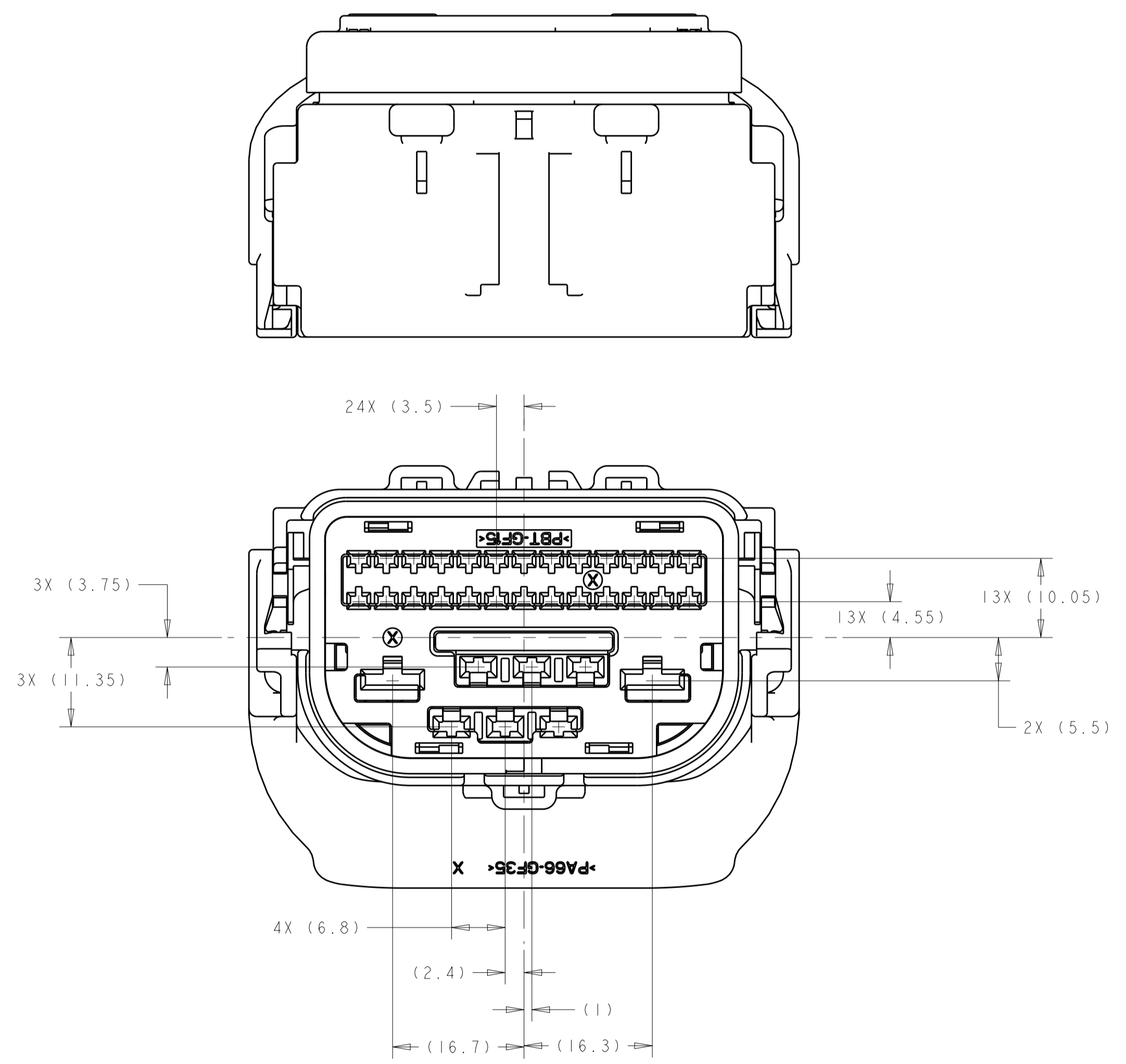
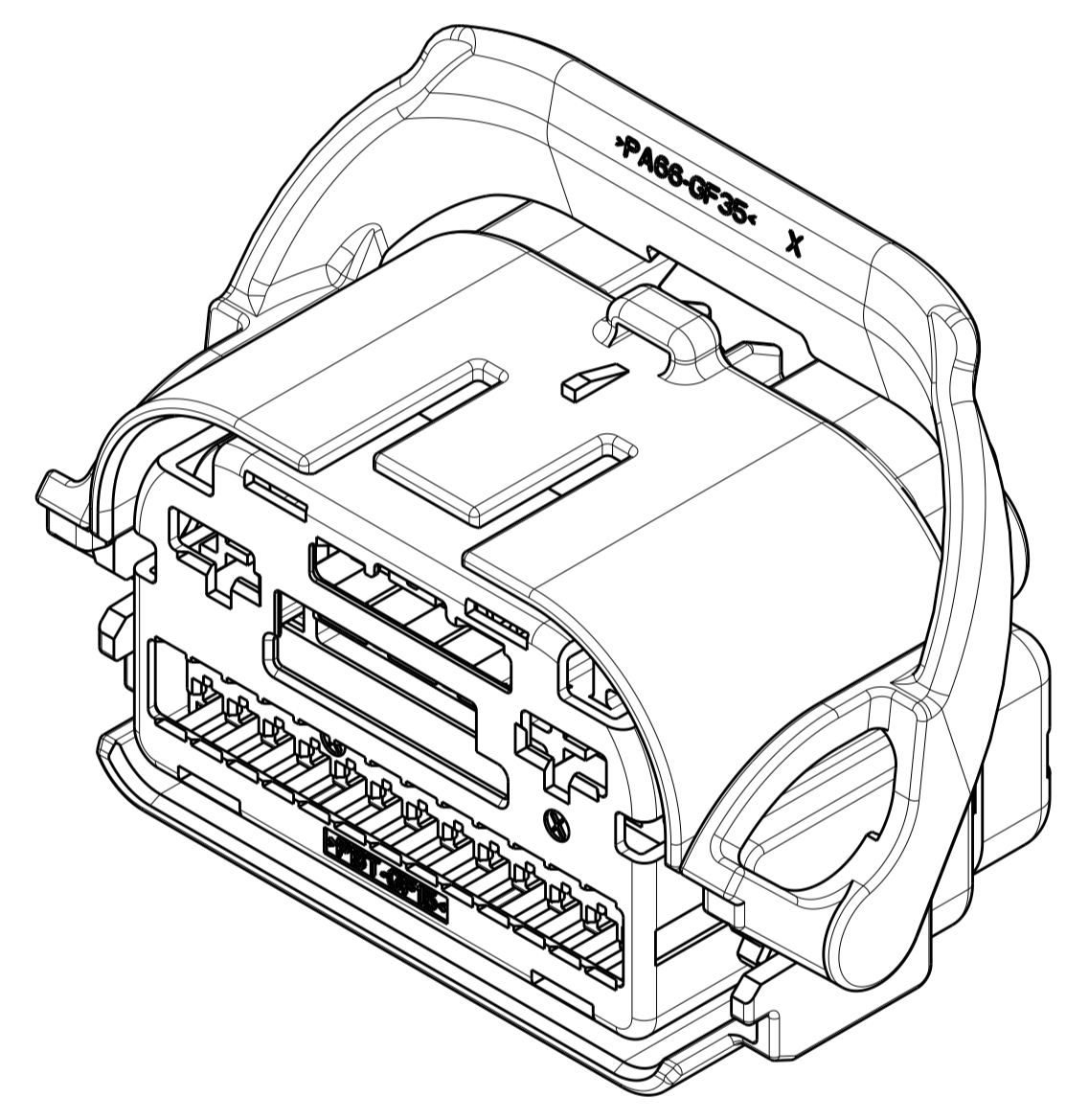
LOC	DIST	REVISIONS					
		P	LTN	DESCRIPTION	DATE	DWN	APVD
HK	00	A		REVISED PER ECO-13-003355	28FEB2013	DLD	SLM



SECTION AA-AA
TPA AND LEVER SHOWN
IN PRE-SEATED POSITION



- PART MUST CONFORM TO THE USCAR-2 SPECIFICATION, DATED 07/DEC/00 (REVISION 3).
 - 0.2mm MAXIMUM RADIUS PERMISSIBLE ON EDGES AND FILLETS SHOWN AS SHARP FOR PLASTIC PARTS.
 - PRODUCTION DATE CODE MUST BE LEGIBLE AND PERMANENTLY APPLIED WHEREVER PACKAGE SIZE PERMITS OR OTHER AGREEMENTS ARE MADE.
 - MATES WITH ASSEMBLY SHOWN ON DRAWING 1587269.
- SEE TE INSTRUCTION SHEET 408-8911 FOR PROPER POSITIONING OF TPA AND TE INSTRUCTION SHEET 408-10013 FOR APPLICATION USE OF CONNECTOR SYSTEM.



APPLICABLE COMPONENTS (FOR REFERENCE ONLY)				APPLICABLE WIRE SIZES (FOR REFERENCE ONLY)	COMPONENT MATING PART NUMBER
DESCRIPTION	COLOR/PLATING	SUPPLIER	SUPPLIER PART NUMBER		
TERMINAL - FEMALE 1.5mm	TIN	MOLEX	33012-0002	16-20 AWG OR METRIC EQUIVALENT	33000-0002
TERMINAL - FEMALE 2.8mm	TIN	TE	1326030-2	20 AWG OR METRIC EQUIVALENT	1326029-2
TERMINAL - FEMALE 2.8mm	TIN	TE	1326030-2	18 AWG OR METRIC EQUIVALENT	1326029-2
TERMINAL - FEMALE 2.8mm	TIN	TE	1326030-3	16 AWG OR METRIC EQUIVALENT	1326029-3
TERMINAL - FEMALE 2.8mm	TIN	TE	1326030-3	14 AWG OR METRIC EQUIVALENT	1326029-3
TERMINAL - FEMALE 2.8mm	TIN	TE	1326030-4	12 AWG OR METRIC EQUIVALENT	1326029-4
TERMINAL - FEMALE 6.3mm	TIN	YAZAKI	7116-4120-02	20-16 AWG OR METRIC EQUIVALENT	7114-4120-02
TERMINAL - FEMALE 6.3mm	TIN	YAZAKI	7116-4121-02	14 AWG OR METRIC EQUIVALENT	7114-4121-02
TERMINAL - FEMALE 6.3mm	TIN	YAZAKI	7116-4122-02	12 AWG OR METRIC EQUIVALENT	7114-4122-02
ANTI-ROTATION CLIP	NATURAL	TRW	PC47597-1	N/A	N/A

NOTE: SEE SUPPLIER DRAWINGS FOR LATEST INFORMATION AND CRIMP SPECIFICATIONS.

LIST OF PARTS										
QTY. REQUIRED				ITEM	DESCRIPTION	COLOR	SUPPLIER PART NUMBER	MATERIAL SPECIFICATION	RECYCLING CODE	WEIGHT (GRAM)
-4	-3	-2	-1							
1	-	-	1	1	HOUSING, KEYING OPTION "A"	BLACK	1587048-1	30% GF PBT	>PBT-GF30<	TBD
-	-	1	-	1	HOUSING, KEYING OPTION "B"	GRAY	1587048-2	30% GF PBT	>PBT-GF30<	TBD
-	1	-	-	1	HOUSING, KEYING OPTION "C"	NATURAL	1587048-3	30% GF PBT	>PBT-GF30<	TBD
-	1	1	1	2	TPA	RED	1587049-1	15% GF PBT	>PBT-GF15<	TBD
1	-	-	-	2	TPA	YELLOW	1587049-2	15% GF PBT	>PBT-GF15<	TBD
1	1	1	1	3	LEVER	GRAY	1587050-1	33% GF NYLON	>PA66-GF33<	TBD
1	1	1	1	4	END SEAL COVER	BLACK	1587051-1	15% GF PBT	>PBT-GF15<	TBD

SEE LIST OF PARTS	1587268-4
SEE LIST OF PARTS	1587268-3
SEE LIST OF PARTS	1587268-2
SEE LIST OF PARTS	1587268-1
DESCRIPTION	PART NUMBER

THIS DRAWING IS A CONTROLLED DOCUMENT.

DIMENSIONS: mm

TOLERANCES UNLESS OTHERWISE SPECIFIED:

0 PLC	±0.3
1 PLC	±0.3
2 PLC	±0.1
3 PLC	±0.1
4 PLC	±0.1
ANGLES	±0.1

MATERIAL: - FINISH: -

WEIGHT: -

CUSTOMER DRAWING

DWN: AJ_GRAFF 22NOV2004
CHK: K_COBLE 22NOV2004
APVD: K_COBLE 22NOV2004

NAME: PLUG ASSEMBLY, FEMALE, 34 WAY UNSEALED, HYBRID

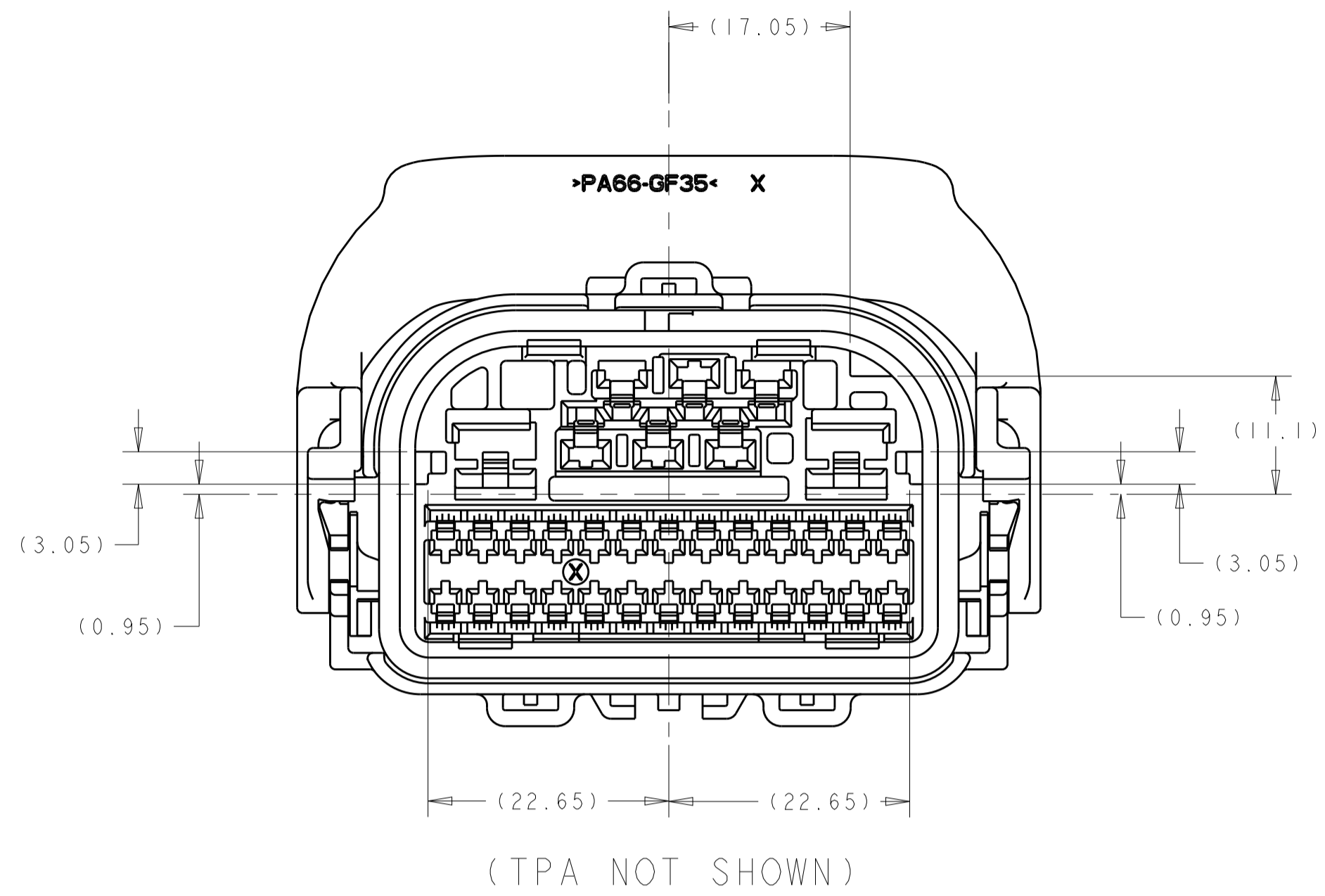
SIZE: A1 CAGE CODE: 1587268 DRAWING NO: 100779

RESTRICTED TO: -

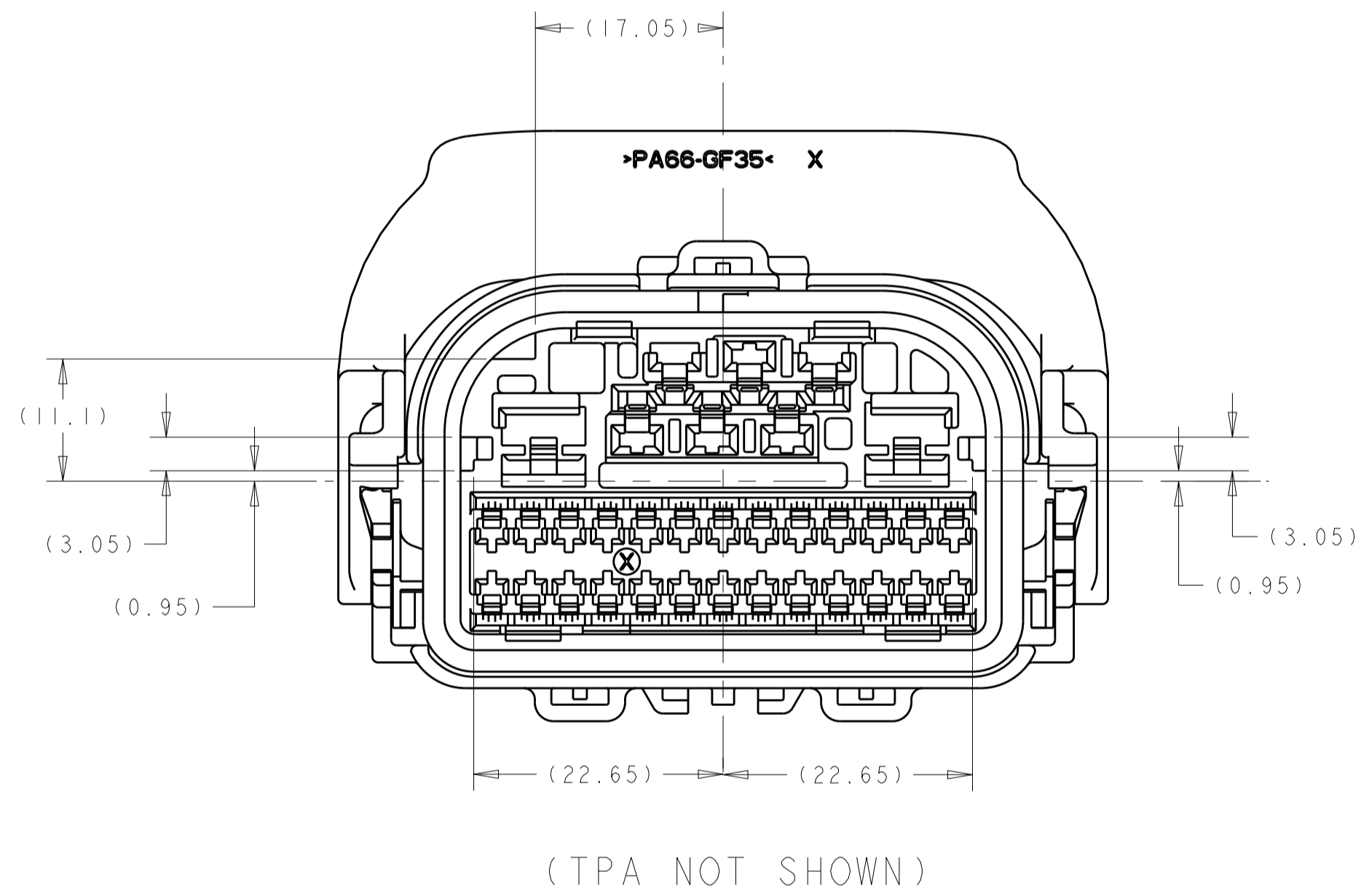
SCALE: NTS SHEET 1 OF 2 REV A

FEMALE HOUSING ASSEMBLY
SCALE 2X

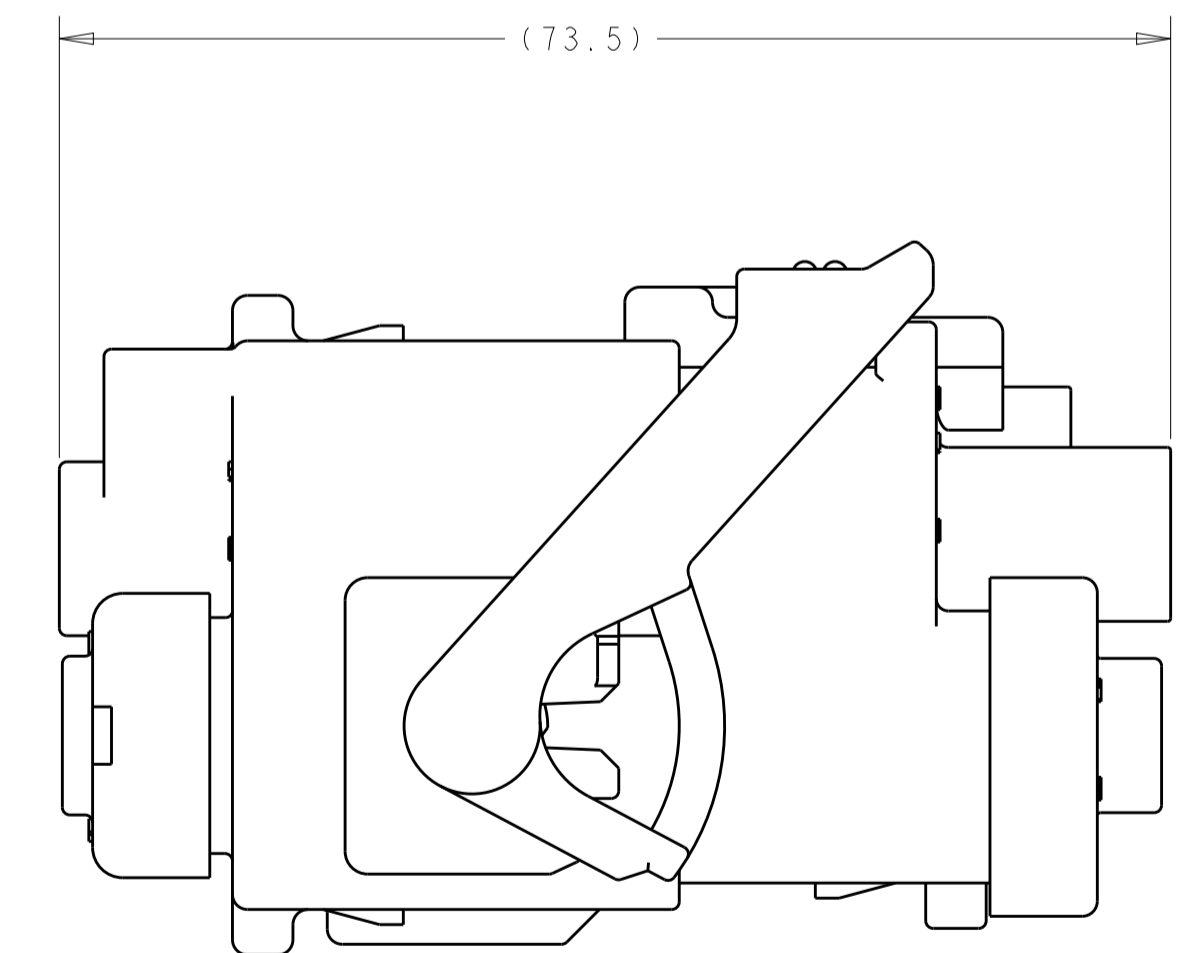
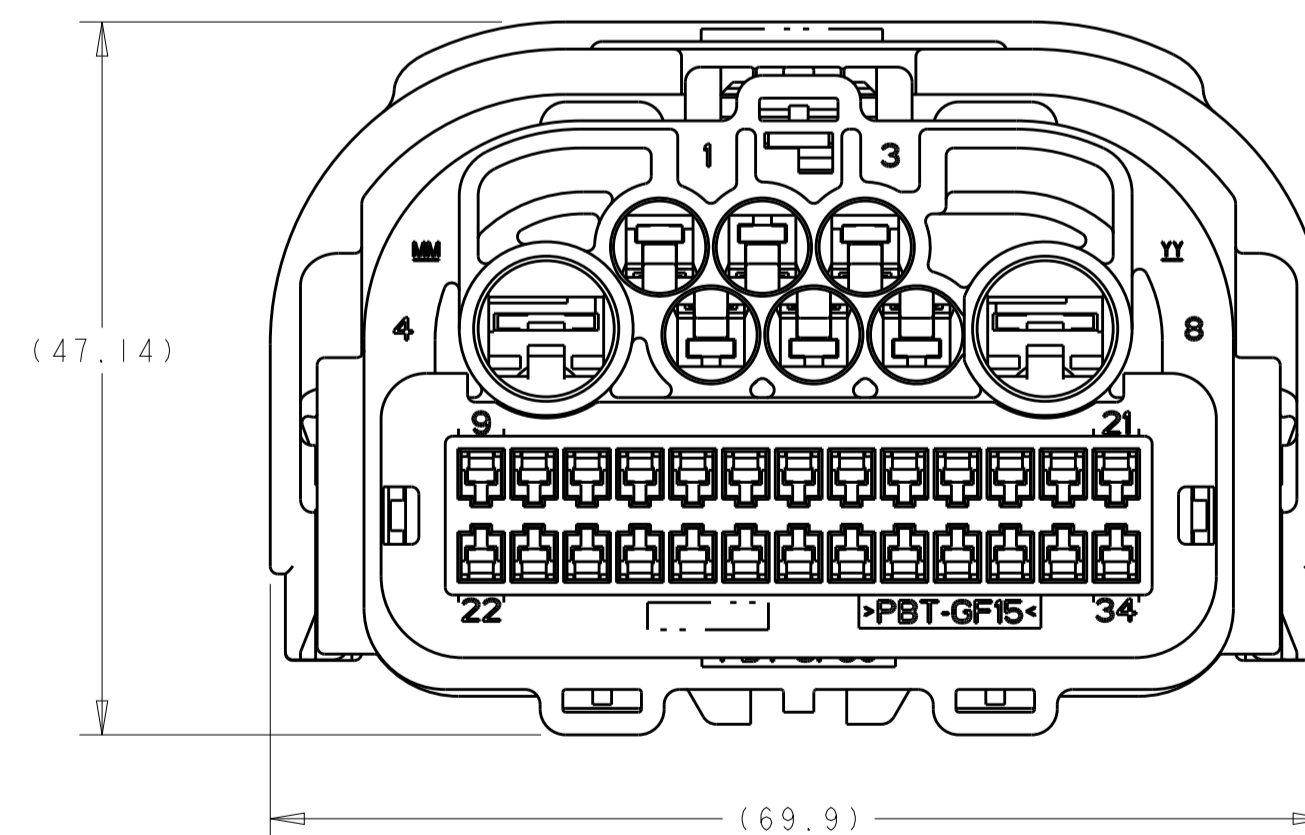
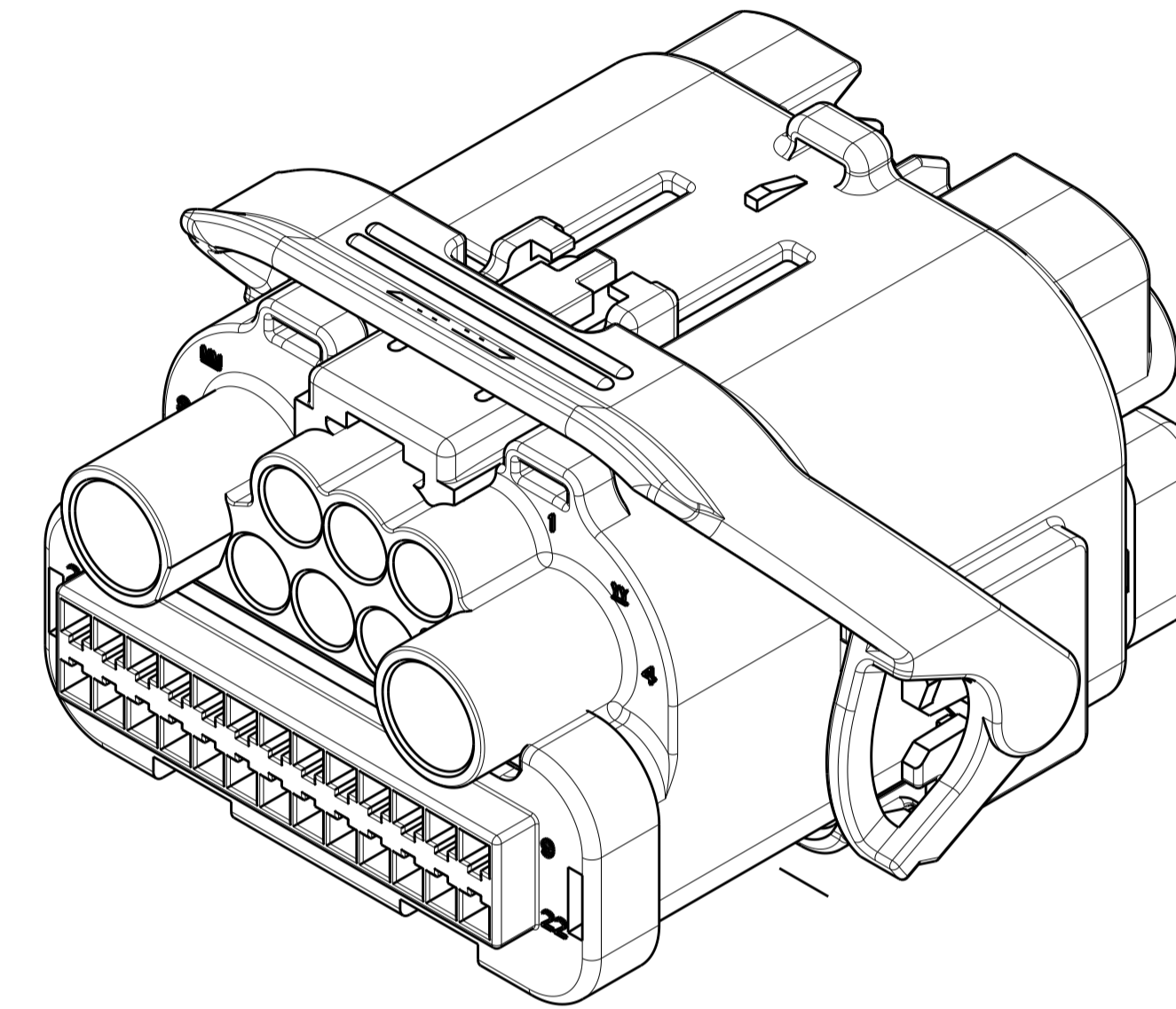
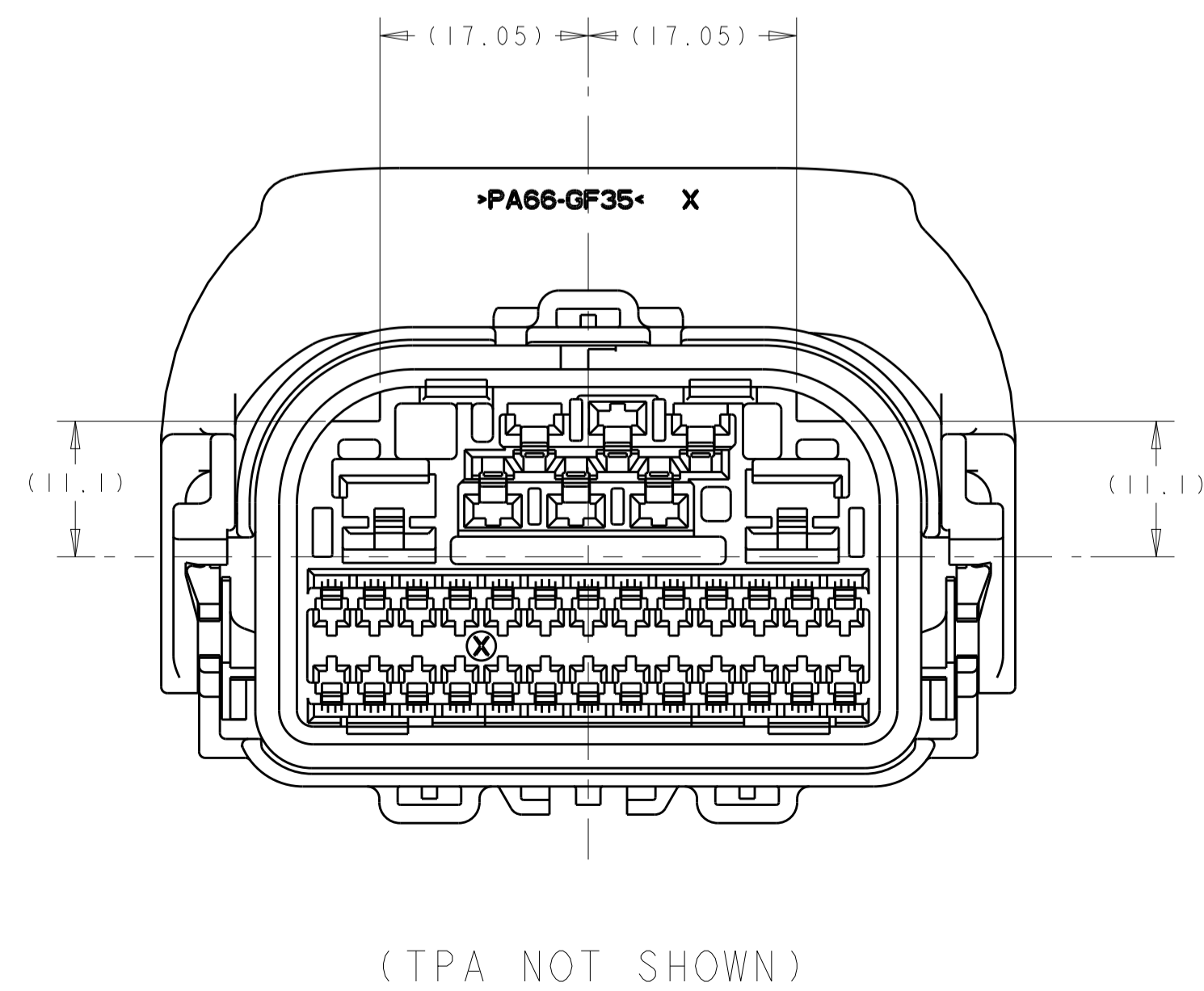
INDEX A



INDEX B



INDEX C



MATED ASSEMBLY
SCALE 2X

LOC	DIST	REVISIONS			
P	LTN	DESCRIPTION	DATE	DWN	APVD
-	-	SEE SHEET 1	-	-	-

THIS DRAWING IS A CONTROLLED DOCUMENT.		DWN	AJ_GRAFF	22NOV2004	TE Connectivity NAME PLUG ASSEMBLY, FEMALE, 34 WAY UNSEALED, HYBRID
DIMENSIONS:		CHK	K_COBLE	22NOV2004	
mm		APVD	K_COBLE	22NOV2004	
0 PLC ±0.3 1 PLC ±0.3 2 PLC ±0.1 3 PLC ±0.1 4 PLC ±0.1 ANGLES ±0.1		PRODUCT SPEC			
MATERIAL		APPLICATION SPEC			RESTRICTED TO
FINISH		WEIGHT			
		CUSTOMER DRAWING			

单击下面可查看定价，库存，交付和生命周期等信息

[>>TE Connectivity\(泰科\)](#)