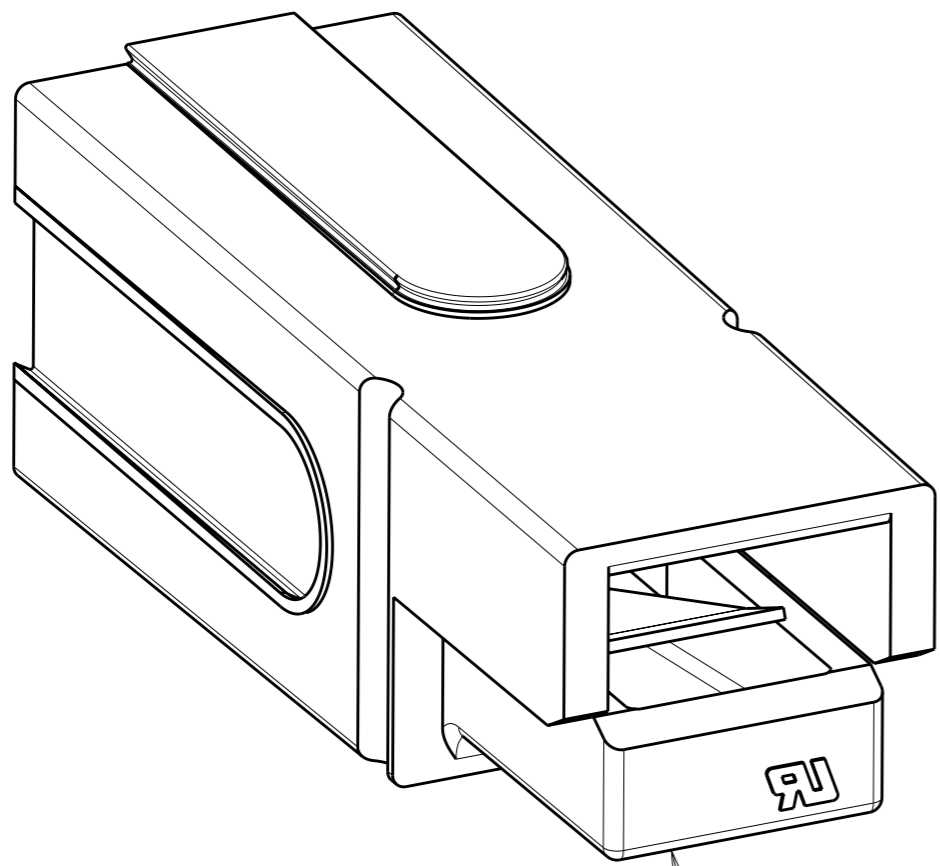
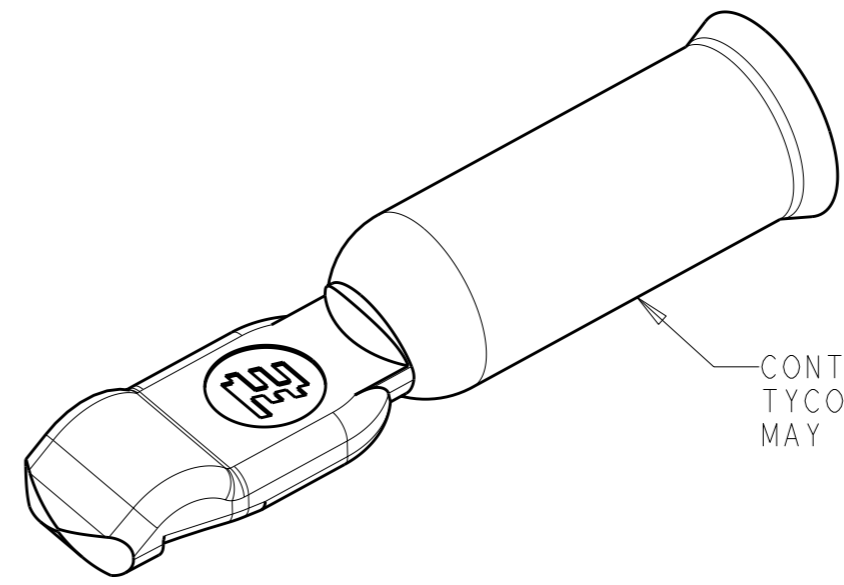


THIS DRAWING IS UNPUBLISHED. RELEASED FOR PUBLICATION 20  
 © COPYRIGHT 20 BY TYCO ELECTRONICS CORPORATION. ALL RIGHTS RESERVED.

LOC	DIST	REVISIONS			
P	LTR	DESCRIPTION	DATE	DWN	APVD
CM	0	01	REVISED PER ECR-10-010379	24MAY2010	HMR JR



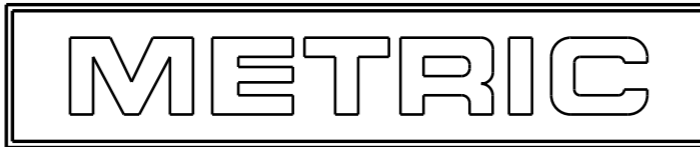
HOUSING-SPRING SUB-ASSY, 1 REQD  
 TYCO PART NUMBER  
 1604062-1 THRU -5 (INCLUSIVE)  
 MAY BE ORDERED SEPARATELY



CONTACT, 2 AWG, 1 REQD  
 TYCO PART NUMBER 1604039-1  
 MAY BE ORDERED SEPARATELY

GREEN	1604396-5
RED	1604396-4
WHITE	1604396-3
BLACK	1604396-2
BLUE	1604396-1
HOUSING COLOR	KIT PART NO

**THIS PRODUCT HAS PASSED VERIFICATION AND AGENCY APPROVALS TESTING AND IS COMPONENT RECOGNIZED PER UL 1977. TYCO ELECTRONICS PRODUCT QUALIFICATION TESTING IS NOT YET COMPLETED.**



<small>THIS DRAWING IS A CONTROLLED DOCUMENT FOR TYCO ELECTRONICS CORPORATION IT IS SUBJECT TO CHANGE AND THE CONTROLLING ENGINEERING ORGANIZATION SHOULD BE CONTACTED FOR THE LATEST REVISION.</small>		DWN 9SEP2002 Brent D. Yohn		Tyco Electronics Harrisburg, PA 17105-3608	
DIMENSIONS: mm		TOLERANCES UNLESS OTHERWISE SPECIFIED: 0 PLC ±- 1 PLC ±0.4 2 PLC ±0.13 3 PLC ±0.050 4 PLC ±- ANGLES ±-		CHK 9SEP2002 W.H.BERNHART APVD 9SEP2002 W.H.BERNHART	
		MATERIAL - FINISH -		NAME KIT, CONNECTOR, SERIES 180 AMP, WITH 2 AWG CONTACTS	
WEIGHT -		SIZE A3		CAGE CODE 00779	
CUSTOMER DRAWING		DRAWING NO C-1604396		RESTRICTED TO -	
SCALE 2:1		SHEET 1 OF 1		REV 01	

单击下面可查看定价，库存，交付和生命周期等信息

[>>TE Connectivity\(泰科\)](#)