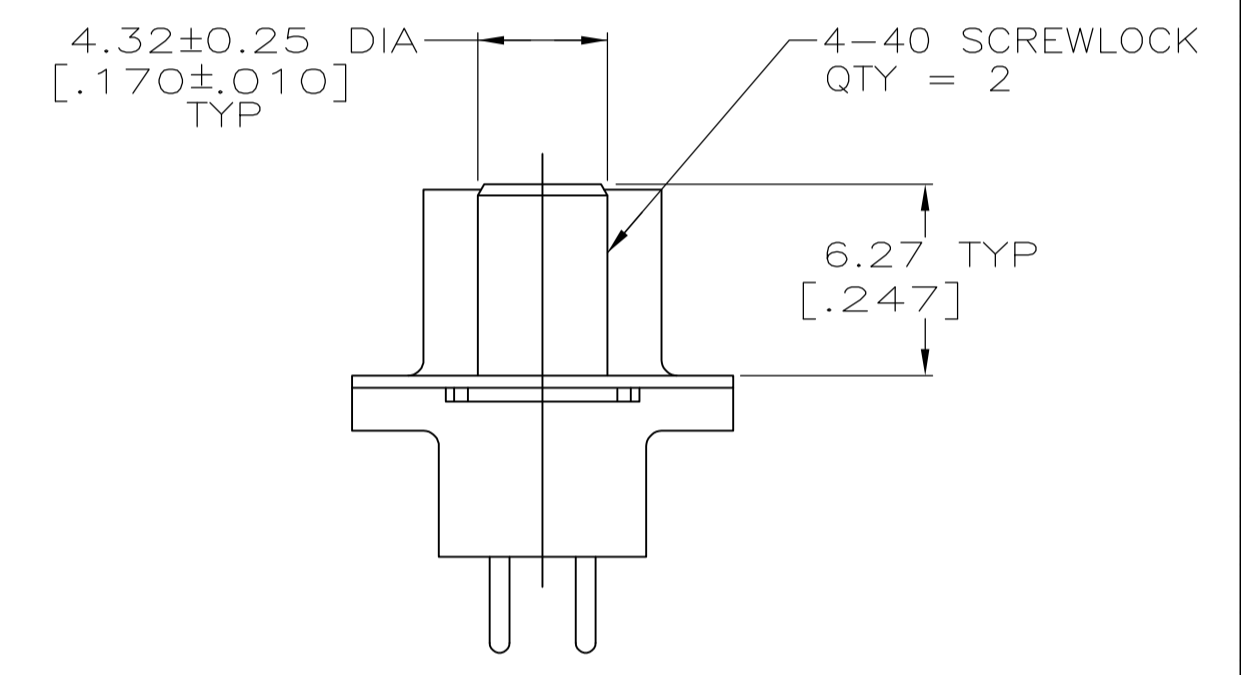
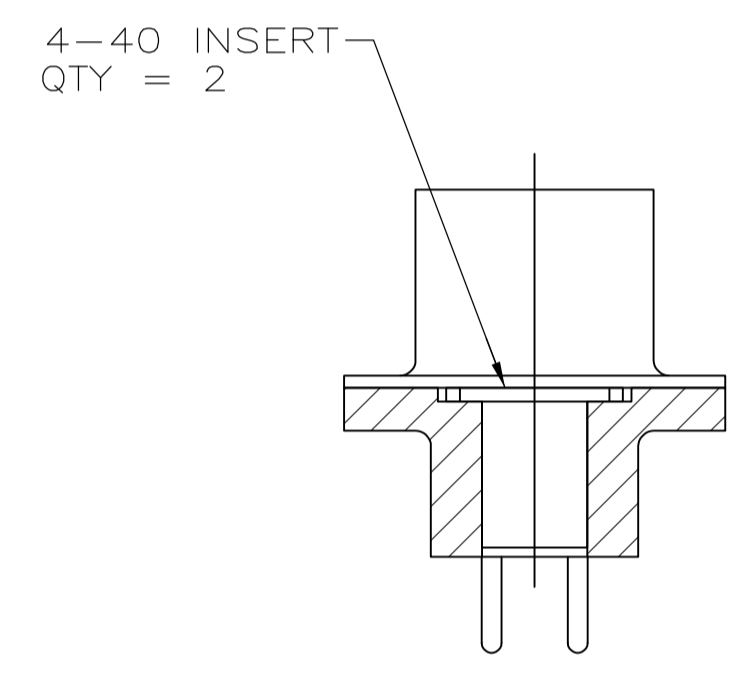
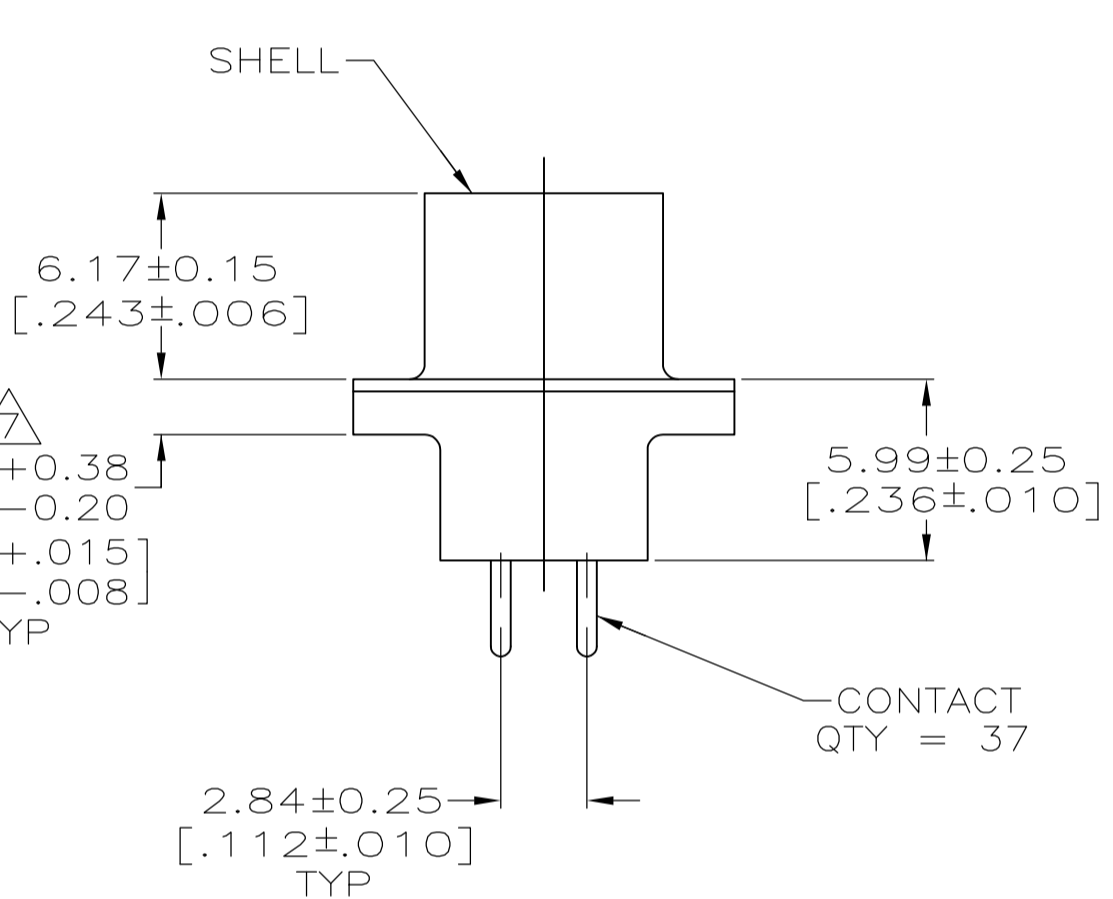
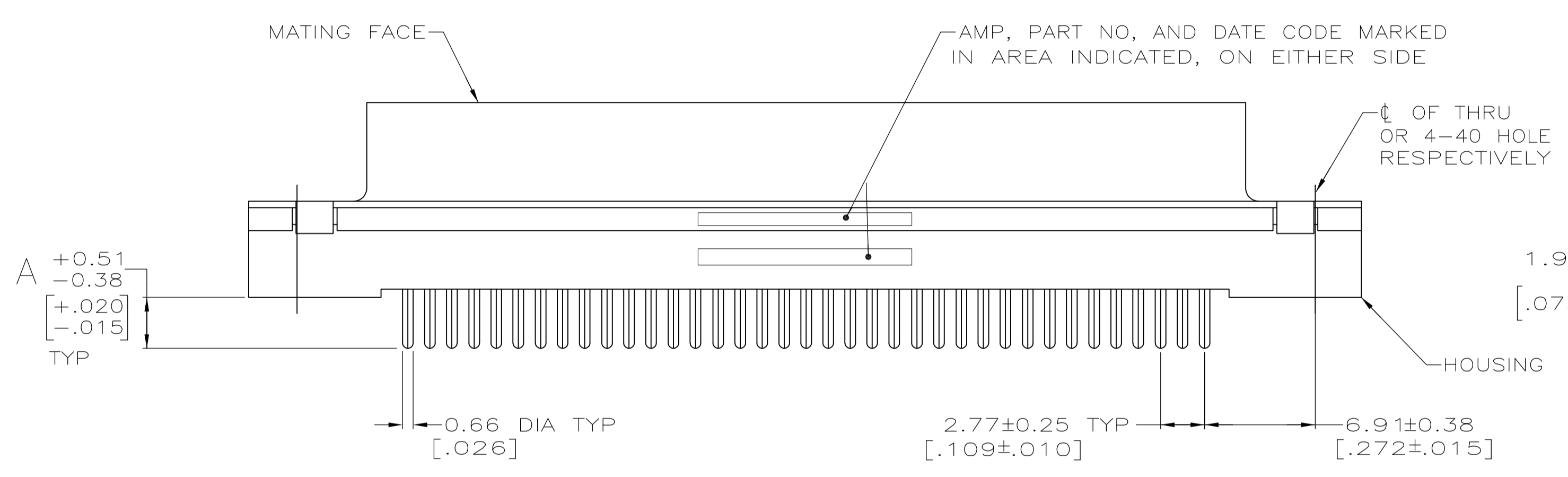
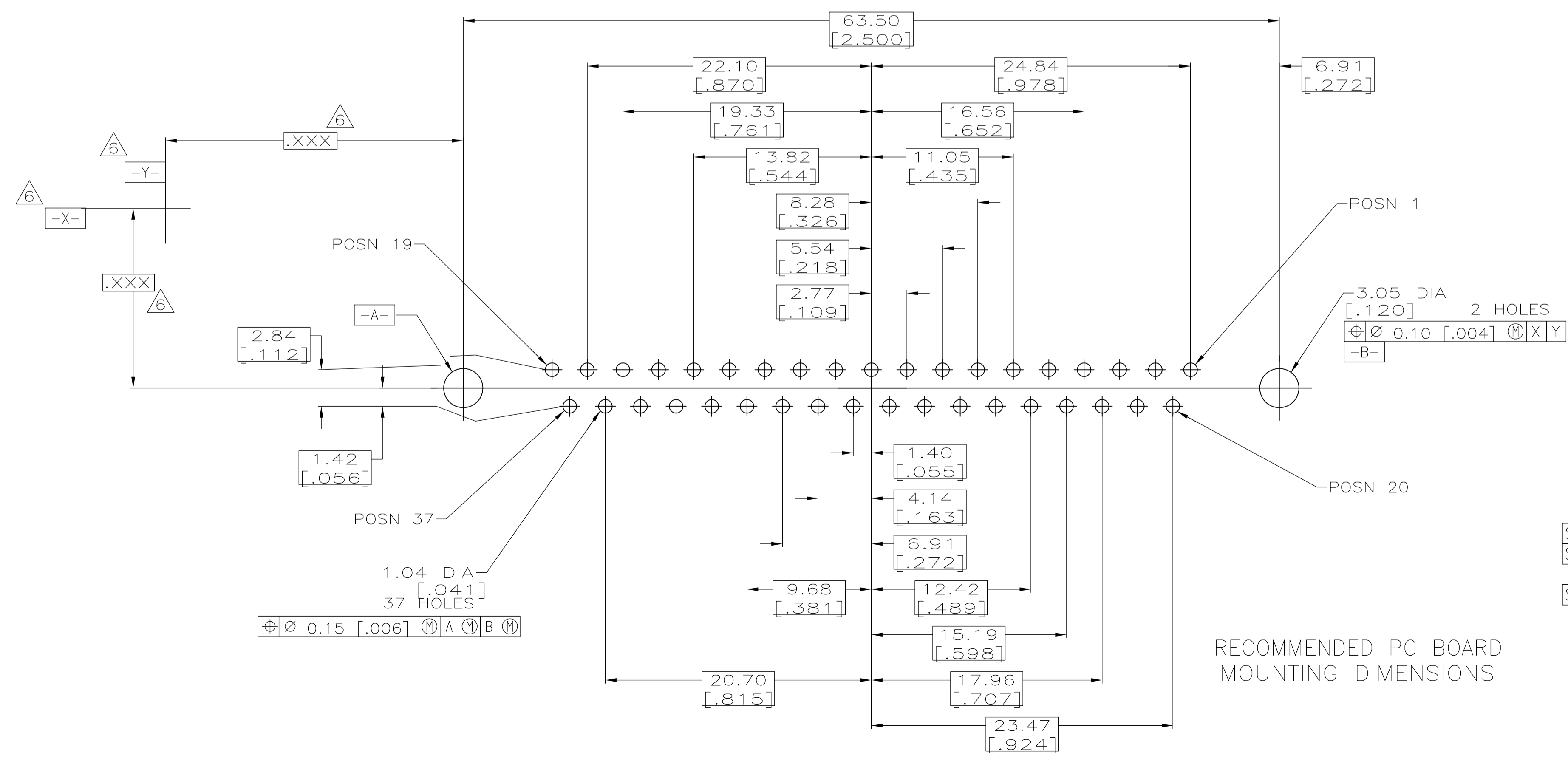


- ① HOUSING: BLACK POLYESTER, UL 94V-0 RATED; CONTACT: PHOSPHOR BRONZE
SHELL: CARBON STEEL; SCREWLOCK: ZINC; INSERT: BRASS.
- ② NOTE DELETED.
- ③ GOLD FLASH FOR A LENGTH OF 2.54[.100] MIN FROM MATING END,
2.54μm[.000100] MIN TIN OR TIN-LEAD FOR A LENGTH OF DIMENSION A FROM
OPPOSITE END, BOTH OVER 1.27μm[.000050] MIN NICKEL.
- ④ 0.76μm[.000030] MIN GOLD FOR A LENGTH OF 2.54[.100] MIN FROM MATING END,
2.54μm[.000100] MIN TIN OR TIN-LEAD FOR A LENGTH OF DIMENSION A FROM
OPPOSITE END, BOTH OVER 1.27μm[.000050] MIN NICKEL.
- ⑤ 5.08μm[.000200] MIN TIN OVER 2.54μm[.000100] MIN COPPER.
- ⑥ DATUMS AND BASIC DIMENSIONS ESTABLISHED BY CUSTOMERS.
- ⑦ 2.79[.110] MAX IN SHELL TAB CLINCH AREAS.



DETAIL D

DETAIL E



RECOMMENDED PC BOARD MOUNTING DIMENSIONS

REV	DESCRIPTION	DATE	BY	APPV
OBSOLETE	6.35 [.250] 4-40 SCREWLOCK (DETAIL E)			
OBSOLETE	6.35 [.250] 4-40 SCREWLOCK (DETAIL E)			
	4.32 [.170] 4-40 SCREWLOCK (DETAIL E)			
OBSOLETE	4.32 [.170] 4-40 SCREWLOCK (DETAIL E)			
	3.18 [.125] 4-40 SCREWLOCK (DETAIL E)			
OBSOLETE	3.18 [.125] 4-40 SCREWLOCK (DETAIL E)			
OBSOLETE	6.35 [.250] 4-40 INSERT (DETAIL D)			
OBSOLETE	4.32 [.170] 4-40 INSERT (DETAIL D)			
OBSOLETE	4.32 [.170] 4-40 INSERT (DETAIL D)			
	3.18 [.125] 4-40 INSERT (DETAIL D)			
	3.18 [.125] 4-40 INSERT (DETAIL D)			
OBSOLETE	6.35 [.250] -			
OBSOLETE	6.35 [.250] -			
SUPERSEDED BY 747301-2	4.32 [.170] -			
SUPERSEDED BY 747301-4	4.32 [.170] -			
	3.18 [.125] -			
SUPERSEDED BY 747301-2	3.18 [.125] -			

THIS DRAWING IS A CONTROLLED DOCUMENT.		DWN J. McCLINTON 12-4-89 CHK R. STONE 2-1-90 APPV G. ROHDE 2-2-90		Tyco Electronics Corporation Harrisburg, PA 17105-3608	
DIMENSIONS: INCHES 0 PLC ± - 1 PLC ± - 2 PLC ± 0.13 [.005] 3 PLC ± - 4 PLC ± - ANGLES ± -		TOLERANCES UNLESS OTHERWISE SPECIFIED: 0 PLC ± - 1 PLC ± - 2 PLC ± 0.13 [.005] 3 PLC ± - 4 PLC ± - ANGLES ± -		NAME RECEPTACLE ASSEMBLY, SIZE 4, 37 POSN, VERTICAL, FRONT METAL SHELL, AMPLIMITE HD-20 PRODUCT SPEC 108-40025 APPLICATION SPEC 114-40023	
MATERIAL ①		FINISH SEE TABLE		SIZE A1 CASE CODE 00779 DRAWING NO. 747301 WEIGHT - CUSTOMER DRAWING	
		SCALE 4:1		SHEET 1 OF 1	

单击下面可查看定价，库存，交付和生命周期等信息

[>>TE Connectivity\(泰科\)](#)

[>>点击查看相关商品](#)