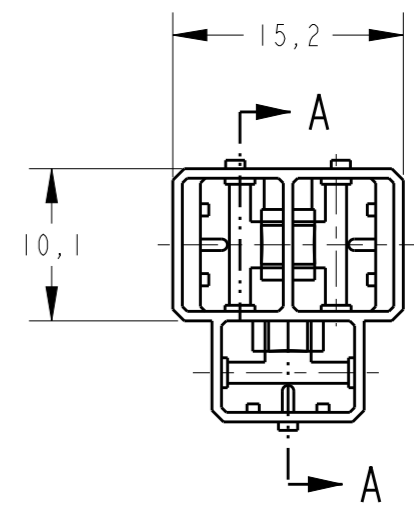
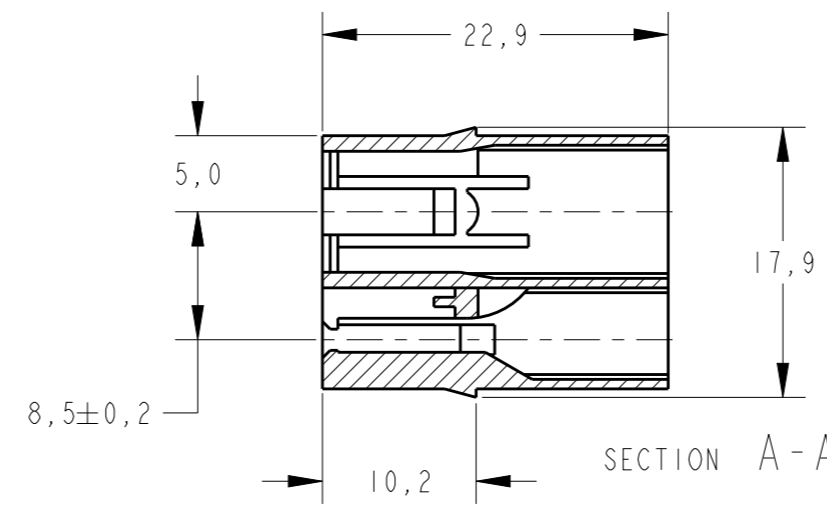
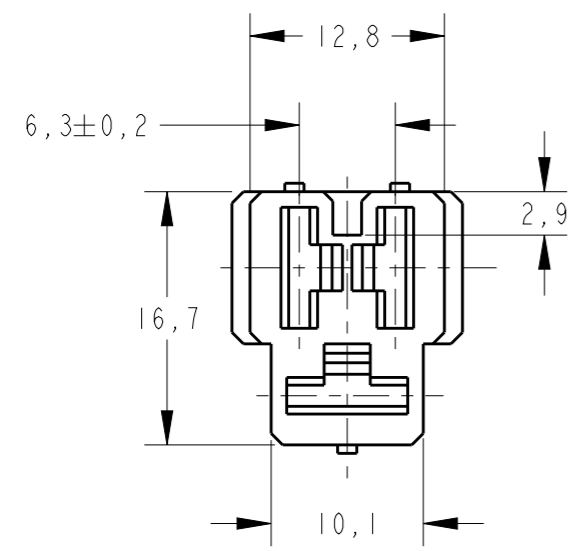
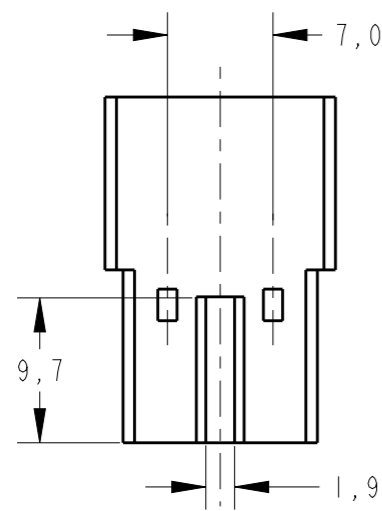



THIS DRAWING IS UNPUBLISHED. RELEASED FOR PUBLICATION 20
 © COPYRIGHT 20 BY - ALL RIGHTS RESERVED.

REVISIONS					
P	LTR	DESCRIPTION	DATE	DWN	APVD
	A3	REDRAWN AND REVISED ECO 16-007059	23MAY2016	HC	WLS



1- INTERCHANGEABLE WITH PN-180941

OBSOLETE	ORANGE	POLYAMIDA 6.6	880573-9
OBSOLETE	VIOLET	POLYAMIDA 6.6	880573-8
OBSOLETE	GRAY	POLYAMIDA 6.6	880573-7
OBSOLETE	BROWN	POLYAMIDA 6.6	880573-6
OBSOLETE	BLACK	POLYAMIDA 6.6	880573-5
OBSOLETE	YELLOW	POLYAMIDA 6.6	880573-4
OBSOLETE	BLUE	POLYAMIDA 6.6	880573-3
OBSOLETE	GREEN	POLYAMIDA 6.6	880573-2
OBSOLETE	RED	POLYAMIDA 6.6	880573-1
	NATURAL	POLYAMIDA 6.6	880573-0
	FINISH	MATERIAL	PART NUMBER

THIS DRAWING IS A CONTROLLED DOCUMENT.		DWN H.C. CANTERI 17MAY2016	 TE Connectivity	
DIMENSIONS: mm		CHK W.L. STEFANI 18MAY2016		
TOLERANCES UNLESS OTHERWISE SPECIFIED:		APVD -	PRODUCT SPEC -	RESTRICTED TO -
0 PLC ±- 1 PLC ±0,4 2 PLC ±- 3 PLC ±- 4 PLC ±- ANGLES ±1°		APPLICATION SPEC -	SIZE A3	CAGE CODE -
MATERIAL -	FINISH -	WEIGHT -	DRAWING NO C-880573	SCALE 2:1
CUSTOMER DRAWING		SHEET 1 OF 1		REV A3

单击下面可查看定价，库存，交付和生命周期等信息

[>>TE Connectivity\(泰科\)](#)