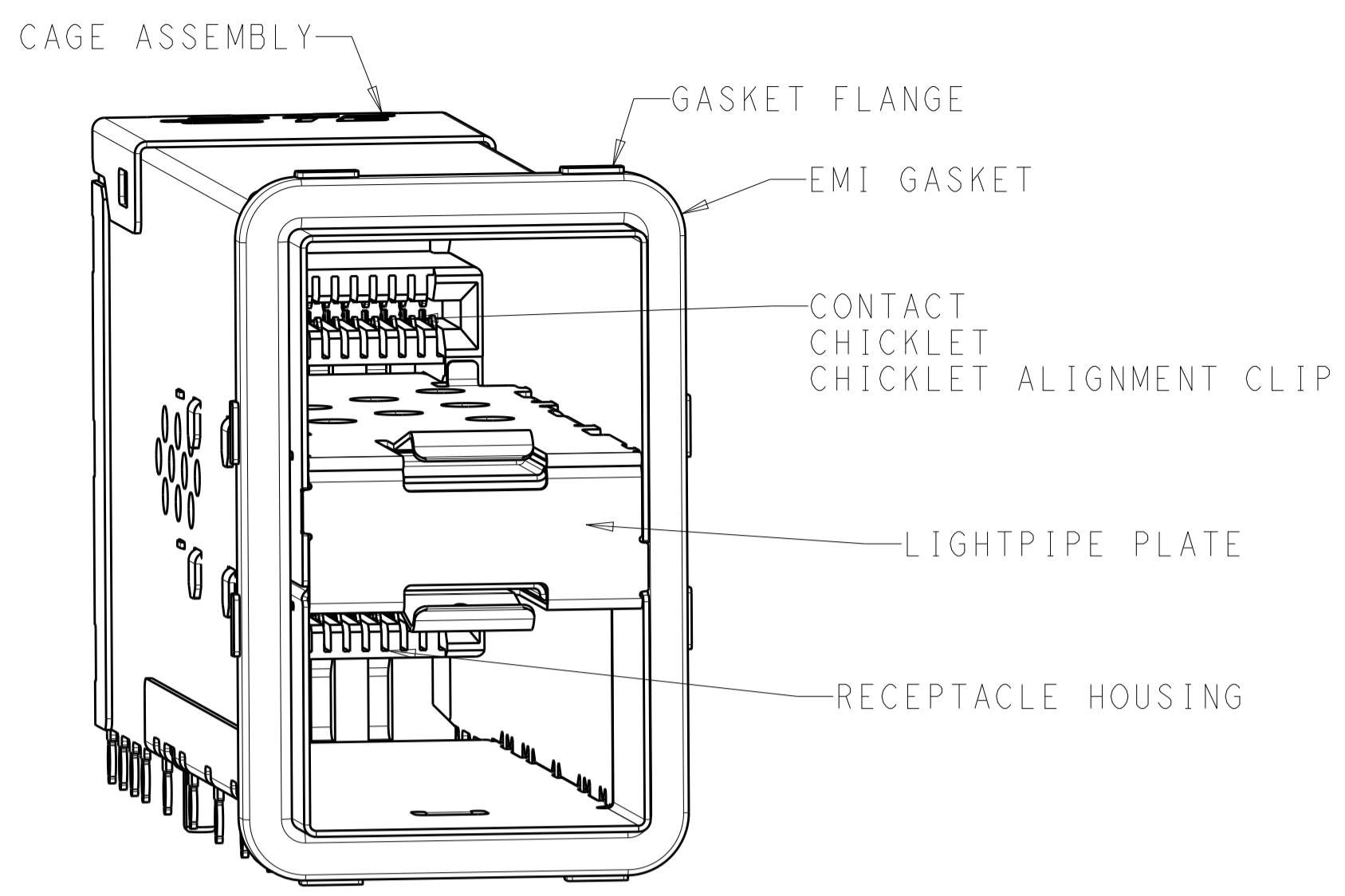
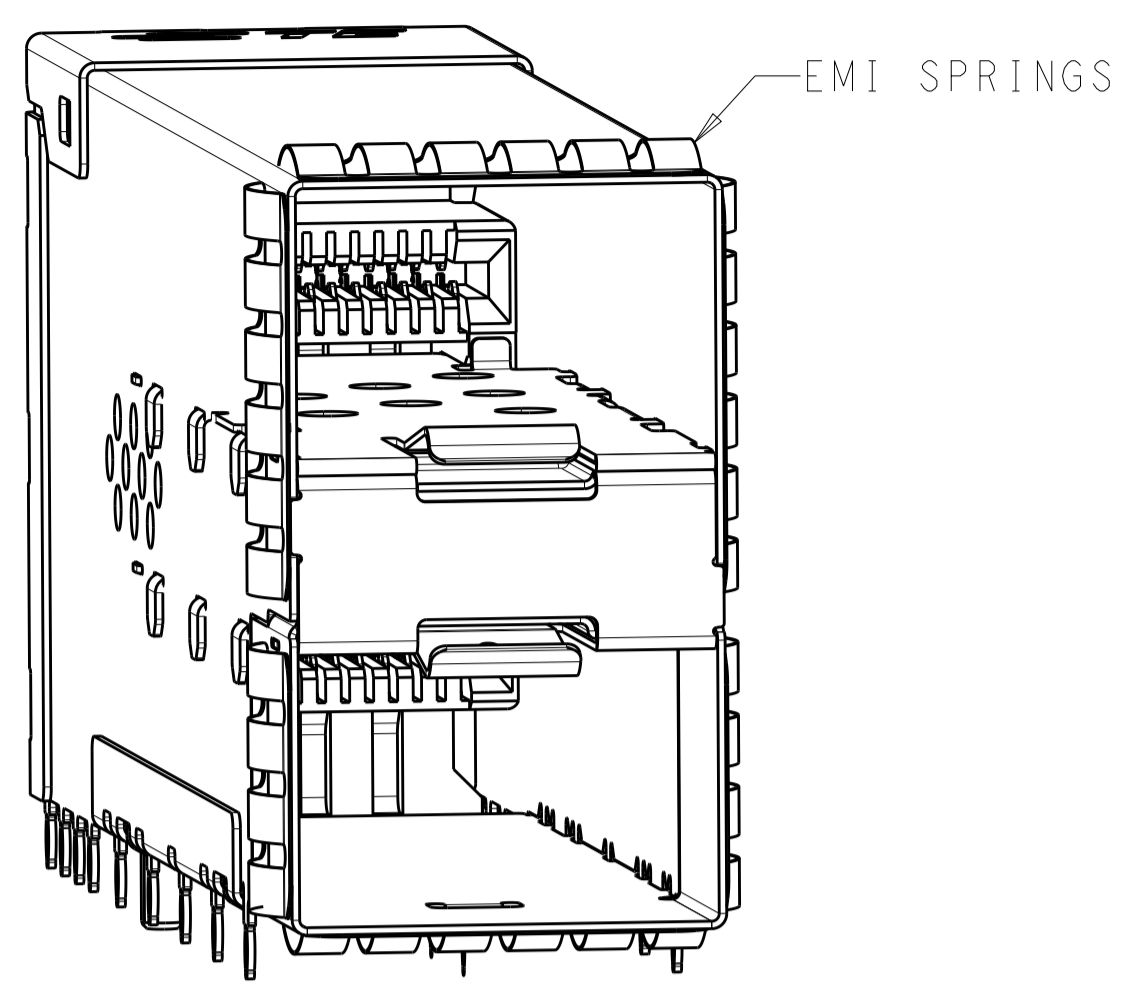


LOC	DIST	REVISIONS			
P	LTN	DESCRIPTION	DATE	DWN	APVD
1		INITIAL RELEASE	26FEB2019	JW	SH



2349202-1
SCALE 4:1

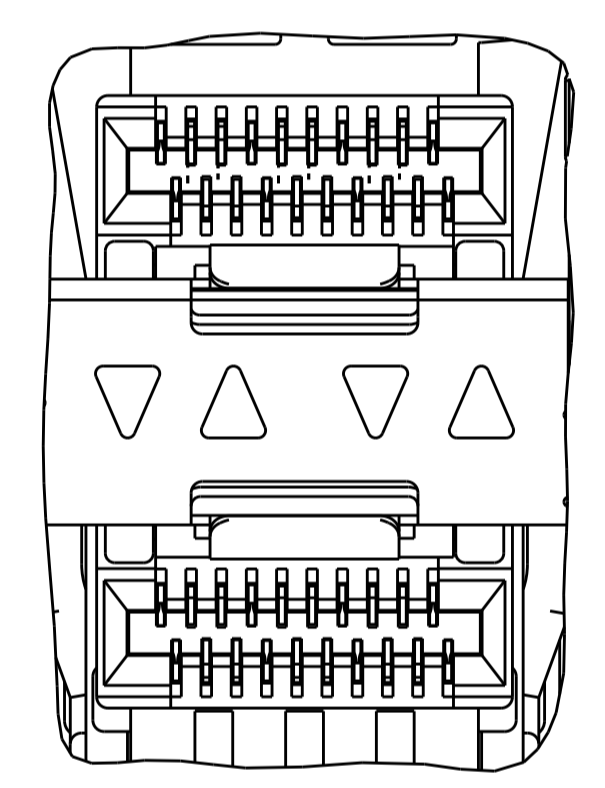


2349202-5
SCALE 4:1

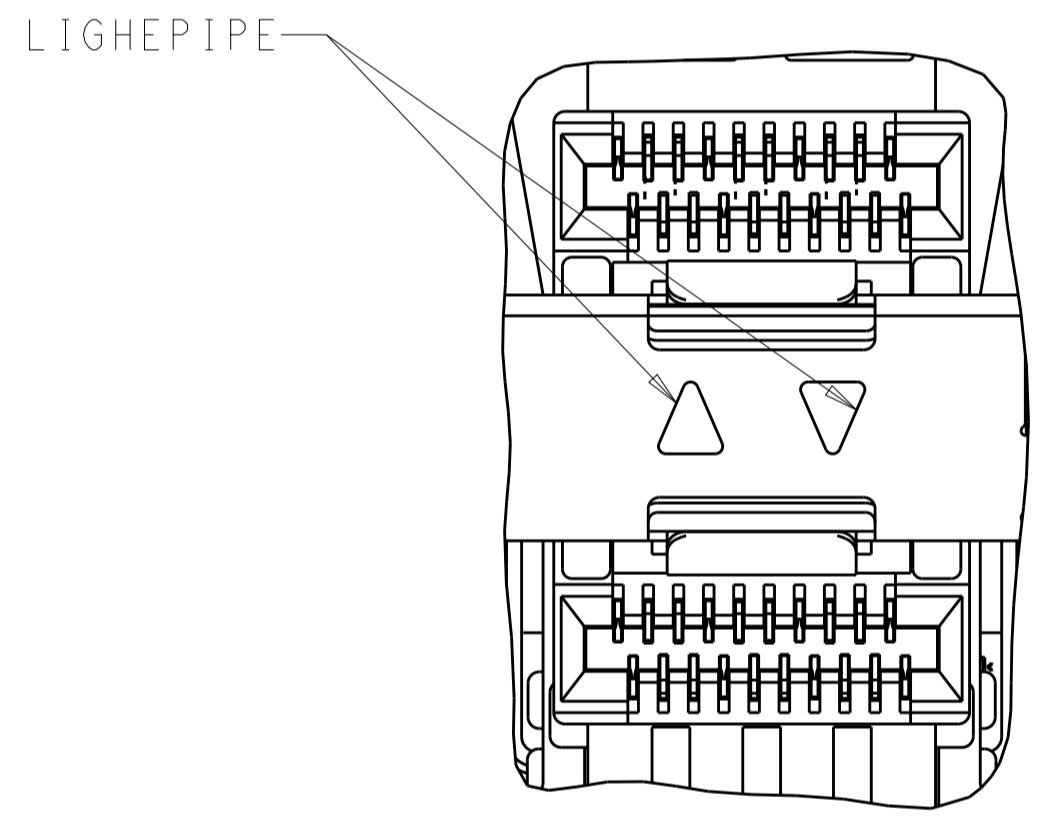
- MATERIALS:
 CAGE ASSEMBLY - NICKEL-SILVER ALLOY PER ASTM B 122
 CONNECTOR HOUSING - LCP, BLACK, UL 94V-0 RATED
 CHICKLET - LCP, BLACK, UL 94V-0 RATED
 CHICKLET ALIGNMENT CLIP - LCP, BLACK, UL 94V-0 RATED
 CONTACT - COPPER ALLOY
 EMI GASKET - ELASTOMERIC
 GASKET FLANGE - STAINLESS STEEL
 EMI SPRINGS - PHOSPHOR BRONZE PER ASTM B 103,
 0.8µm MIN TIN PER ASTM B 545
 LIGHT PIPE - POLYCARBONATE
 LIGHT PIPE PLATE- STAINLESS STEEL

- CONTACT FINISH:
 CONFORMS TO THE REQUIREMENTS OF PRODUCT SPECIFICATION 108-2481, BASED ON EIA/ECA-364-1000.01A, (CONTROLLED ENVIRONMENT APPLICATIONS) ON MATING INTERFACE, TIN ON NEEDLE EYE
- PCB MINIMUM THICKNESS = 1.5mm

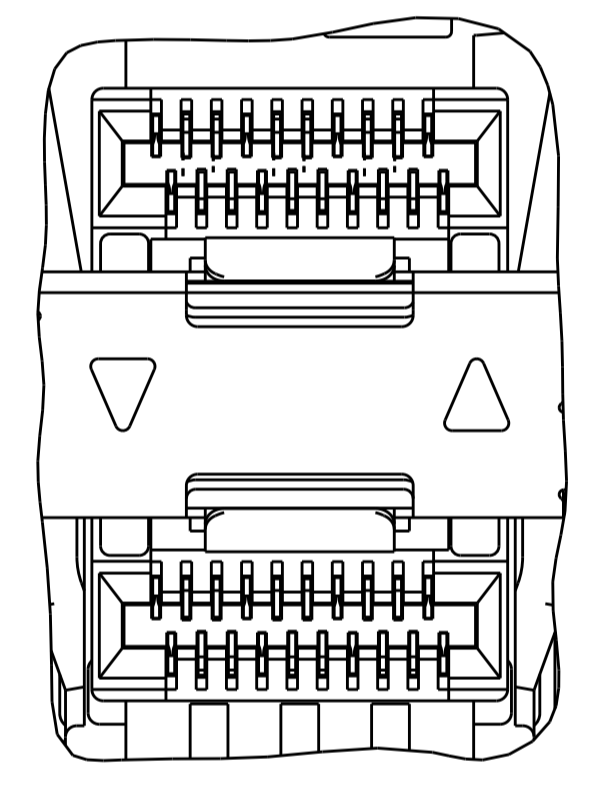
- △4 FOR HOLE SIZE AND PLATINGS, SEE APPLICATION SPECIFICATION 114-13319
- △5 LIGHT PIPE PAD LAYOUT IS FOR 0805 LOW PROFILE LED PACKAGE WITH A HEIGHT OF 0.8mm
- △6 DIMENSIONS APPLY FOR EMI SPRINGS ONLY
- △7 THE ENTIRE AREA OF THE CONNECTOR FOOTPRINT, INDICATED BY THE DASHED LINE, TO BE CONSIDERED THE KEEPOUT AREA FOR COMPONENTS AND SIGNAL TRACES, TOP SIDE ONLY, TOP SIDE TRACES ALLOWED WITHIN CONNECTOR HOLE PATTERN



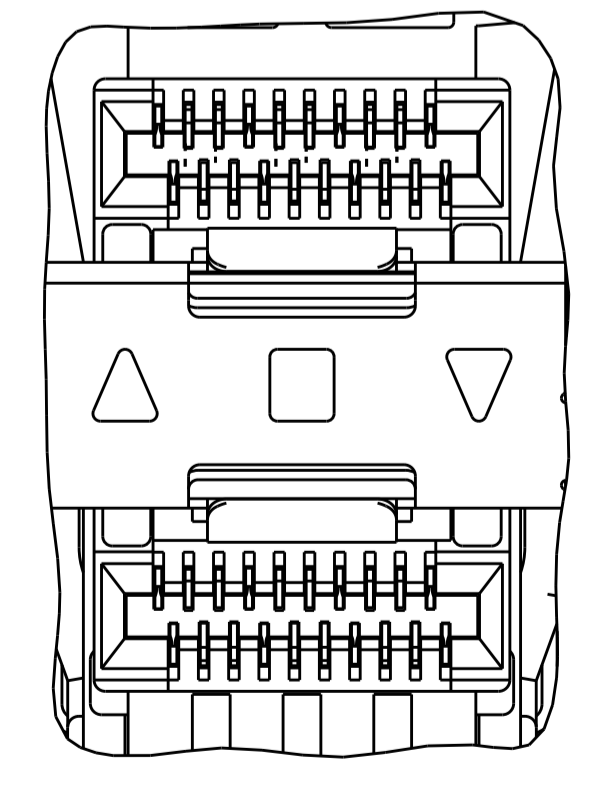
INNER/OUTER LIGHT PIPES
2349202-2, 2349202-6
SCALE 5:1



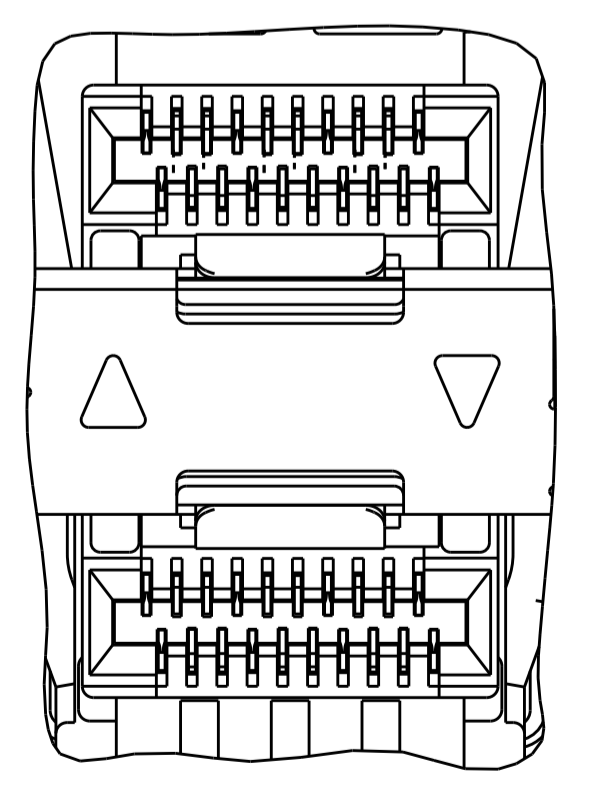
INNER LIGHT PIPES
2349202-3, 2349202-7
SCALE 5:1



OUTER LIGHT PIPES
2349202-4, 2349202-8
SCALE 5:1



CENTER/REVERSED OUTER LIGHT PIPES
1-2349202-7, 1-2349202-9
SCALE 5:1



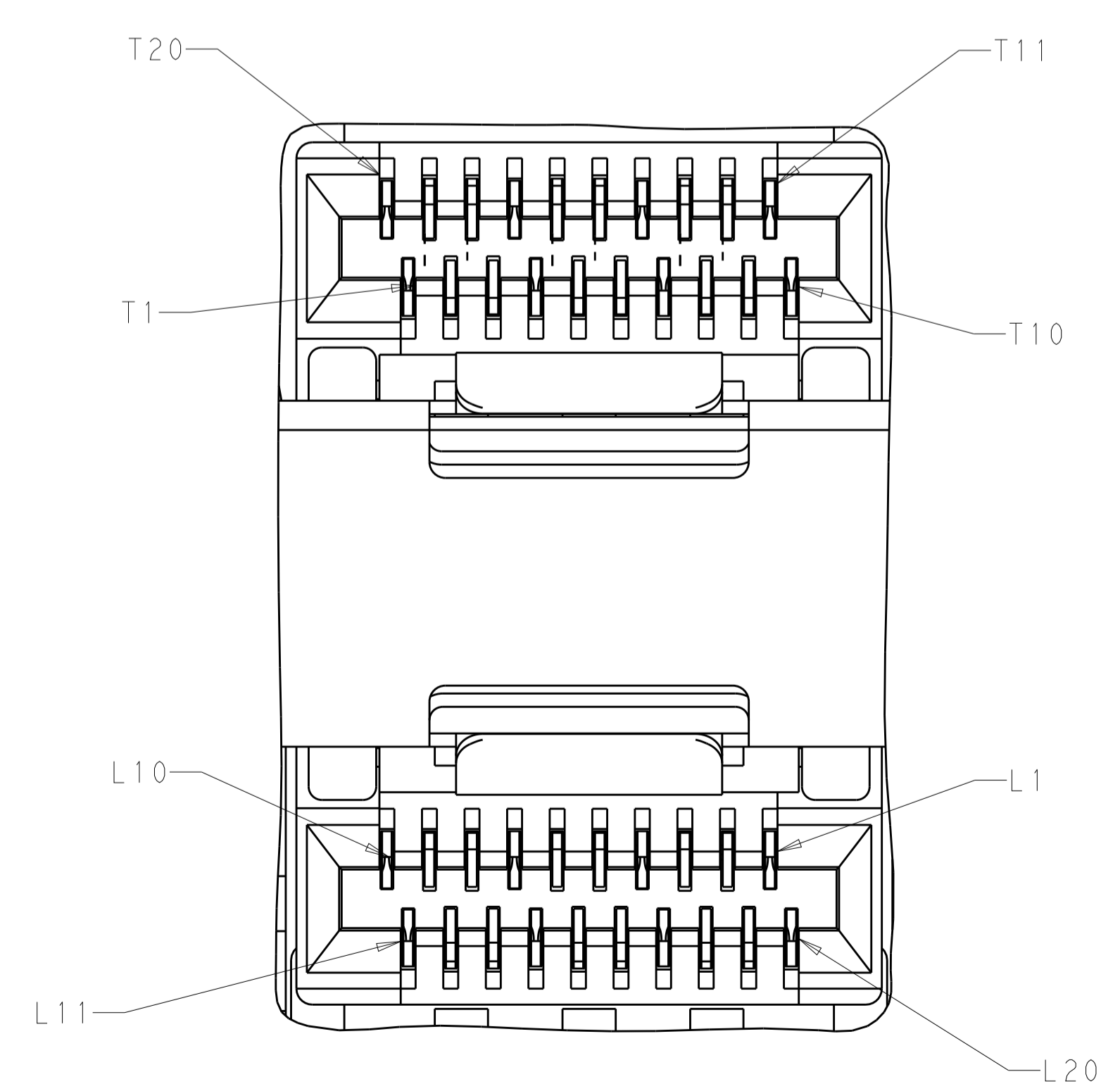
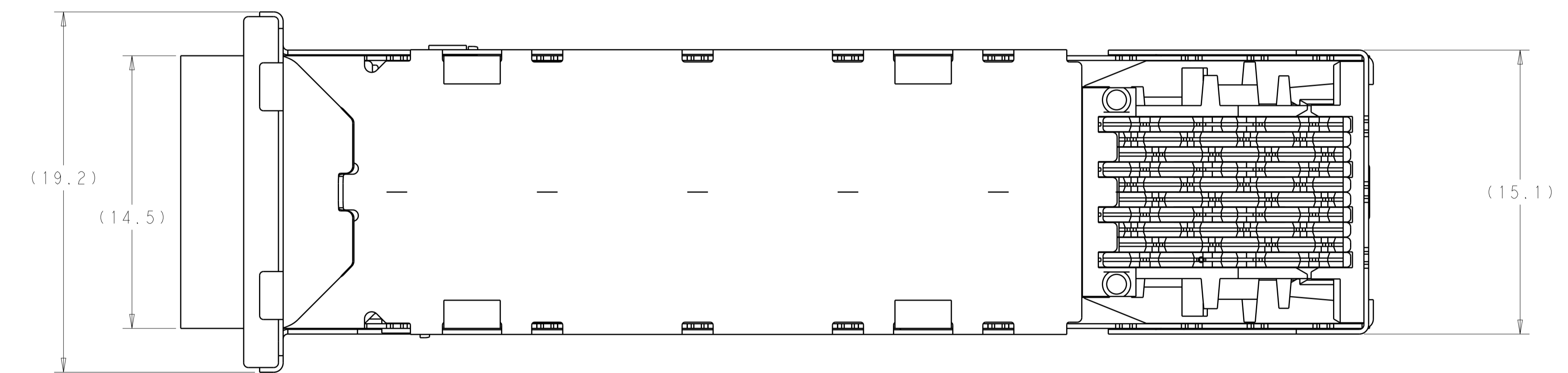
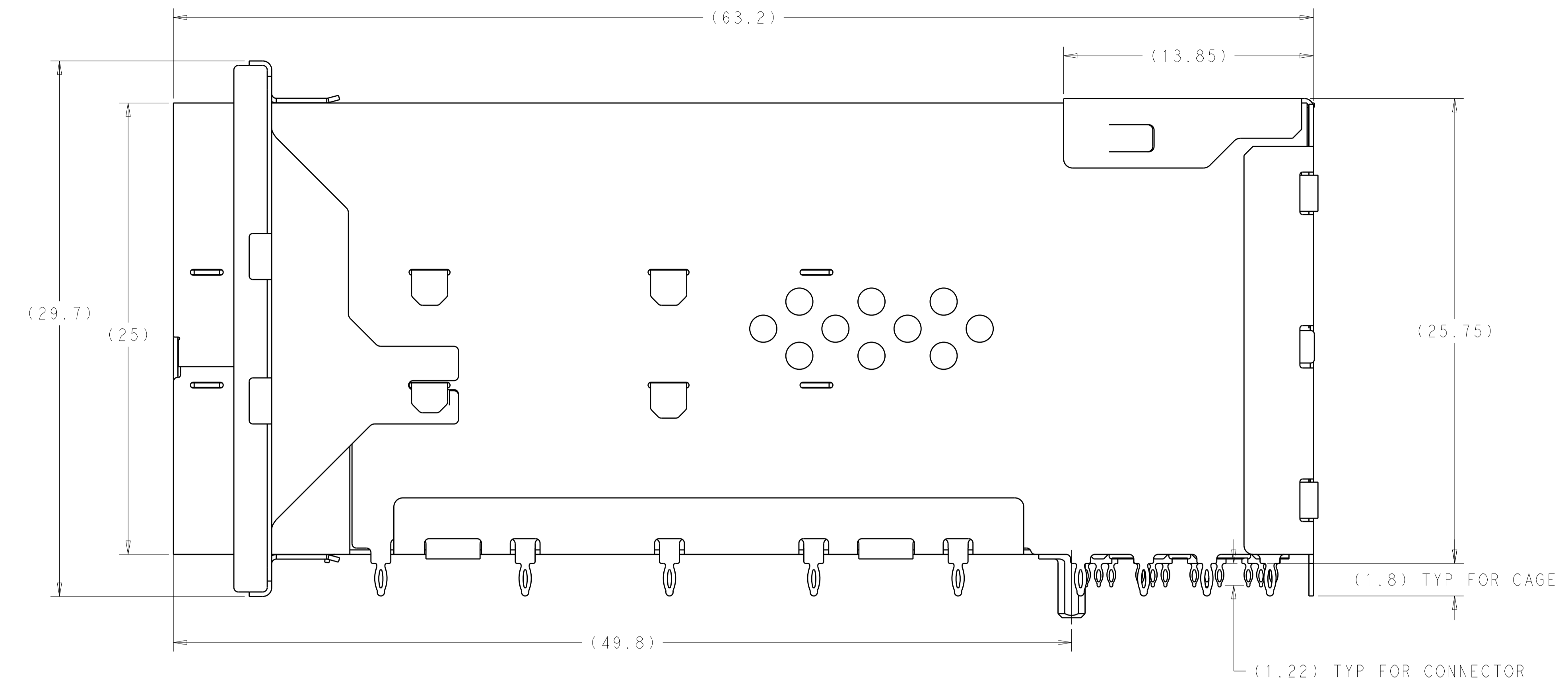
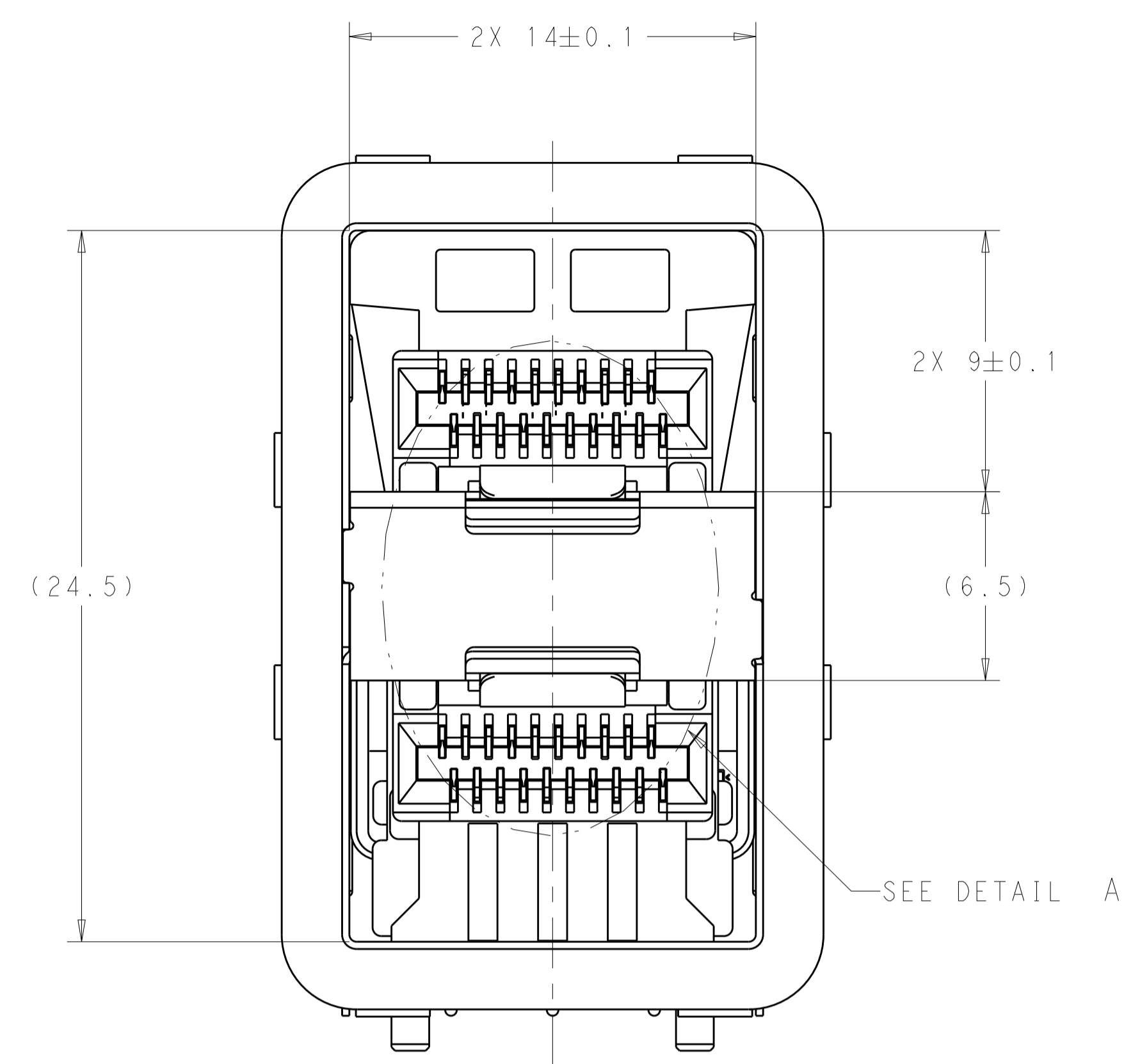
REVERSED OUTER LIGHT PIPES
1-2349202-8, 2-2349202-0
SCALE 5:1

16.75	EMI SPRINGS	REVERSED OUTER	2-2349202-0
		CENTER/REVERSED OUTER	1-2349202-9
19.5	EMI GASKET	REVERSED OUTER	1-2349202-8
		CENTER/REVERSED OUTER	1-2349202-7
16.75	EMI SPRINGS	OUTER	2349202-8
		INNER	2349202-7
		INNER/OUTER	2349202-6
		NONE	2349202-5
19.5	EMI GASKET	OUTER	2349202-4
		INNER	2349202-3
		INNER/OUTER	2349202-2
		NONE	2349202-1
(E)	CAGE TYPE	LIGHT PIPE CONFIGURATION	PART NUMBER

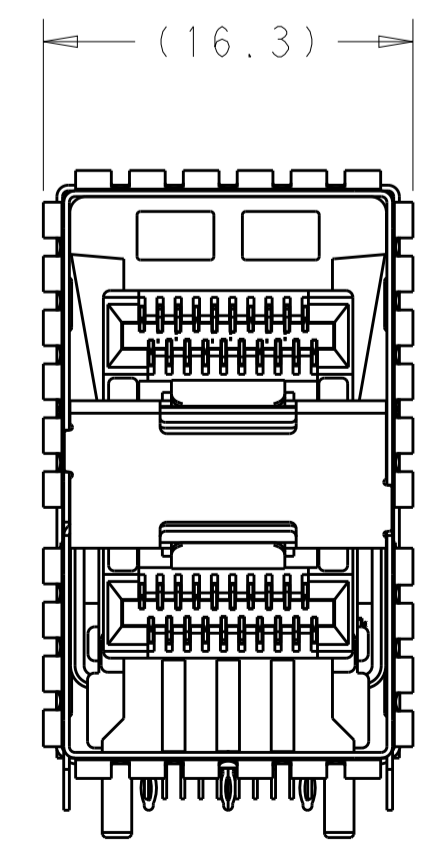
THIS DRAWING IS A CONTROLLED DOCUMENT.

DIMENSIONS:	TOLERANCES UNLESS OTHERWISE SPECIFIED:	DWN J. WANG 26FEB2019	TE Connectivity
mm	0 PLC ±0.25 1 PLC ±0.25 2 PLC ±0.25 3 PLC ±0.25 4 PLC ±0.25 ANGLES ±°	CHK S. HAN 26FEB2019	
MATERIAL SEE NOTES	FINISH SEE NOTES	APVD S. HAN 26FEB2019	NAME RECEPTACLE ASSEMBLY, 2X1, STACKED, SFP56
CUSTOMER DRAWING		PRODUCT SPEC 108-2481	SIZE CAGE CODE DRAWING NO RESTRICTED TO
		APPLICATION SPEC 114-13319	A100779C=2349202
		WEIGHT	SCALE 4:1 SHEET 1 OF 4 REV A

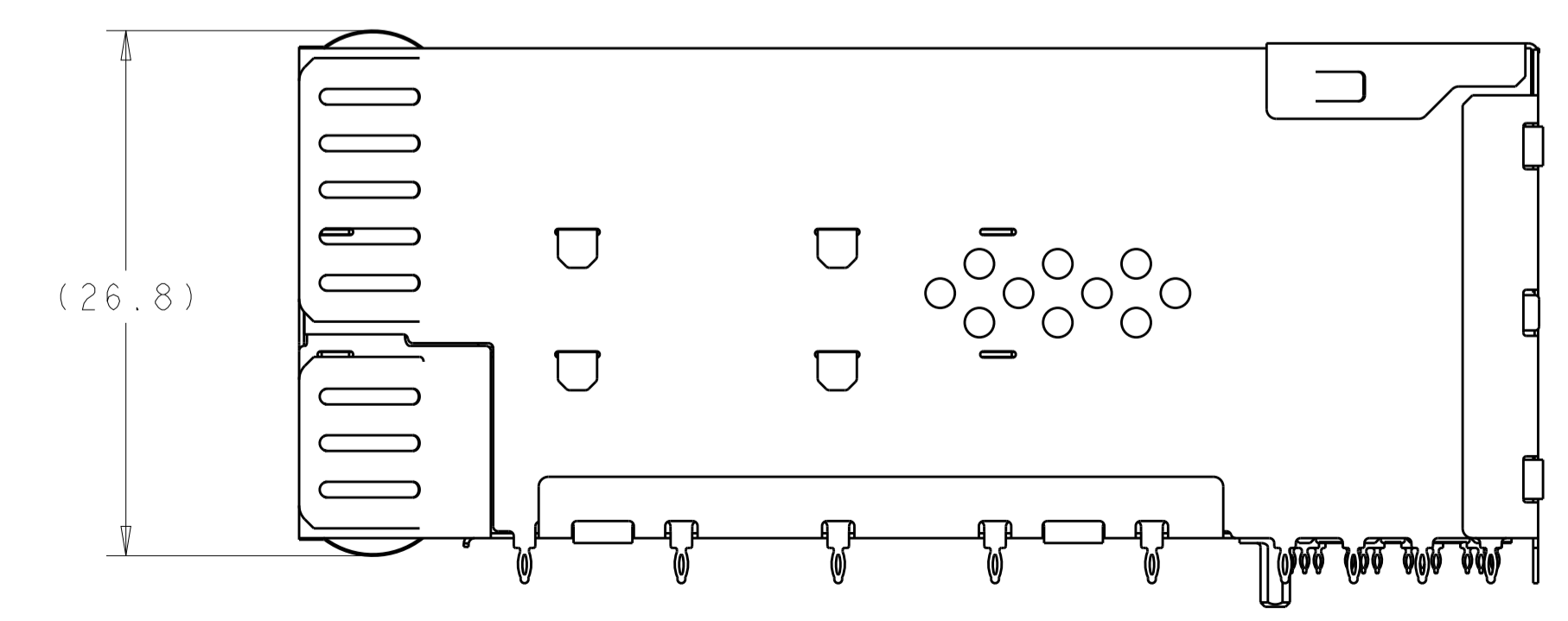
LOC	DIST	REVISIONS			
P	LTN	DESCRIPTION	DATE	DMN	APVD
GP	00	SEE SHEET 1	-	-	-



DETAIL A
2 PLACES
SCALE 10:1

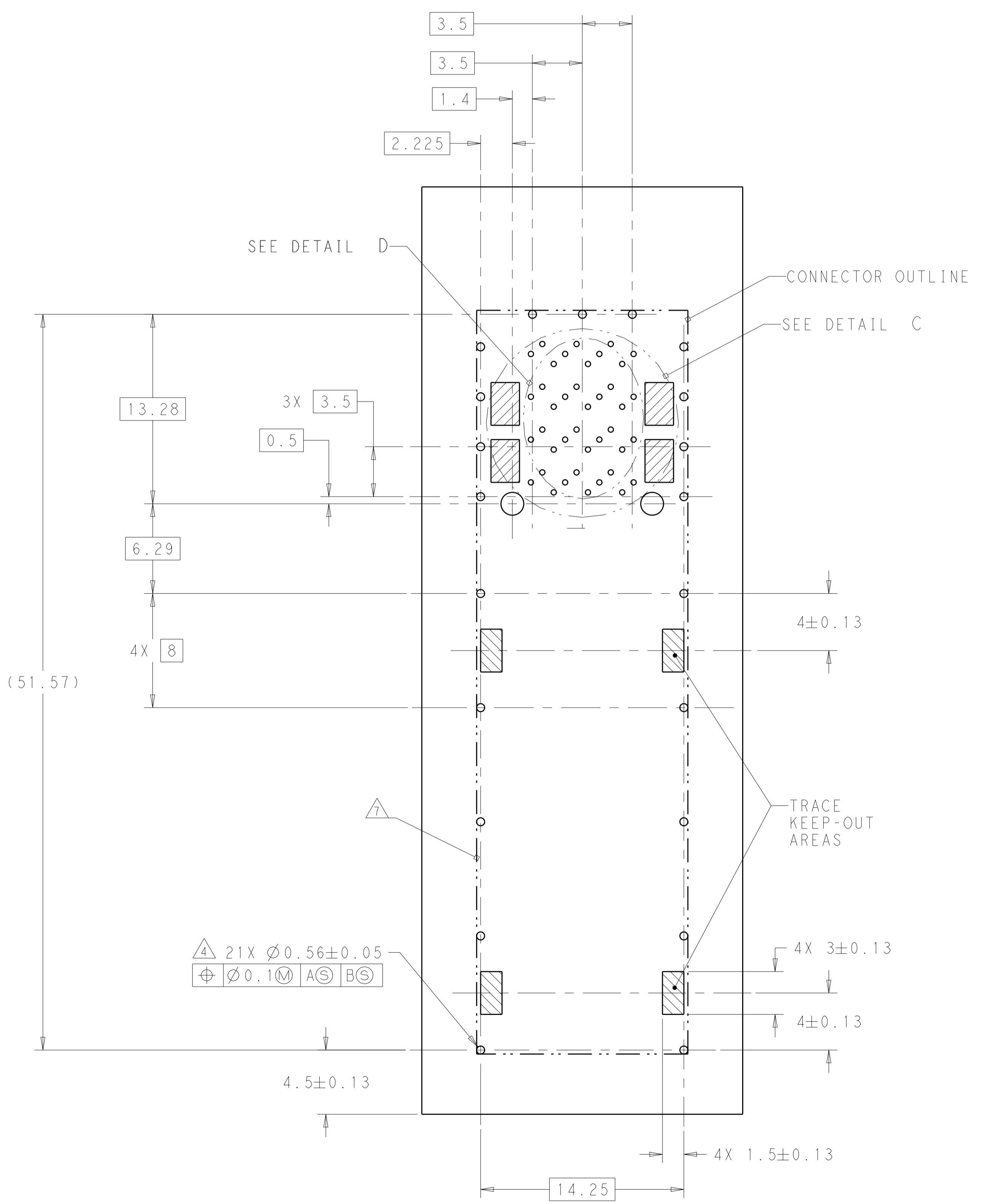


2349202-5 THRU 2349202-8, 1-2349202-9, 2-2349202-0
EMI SPRINGS ONLY
SCALE 3:1

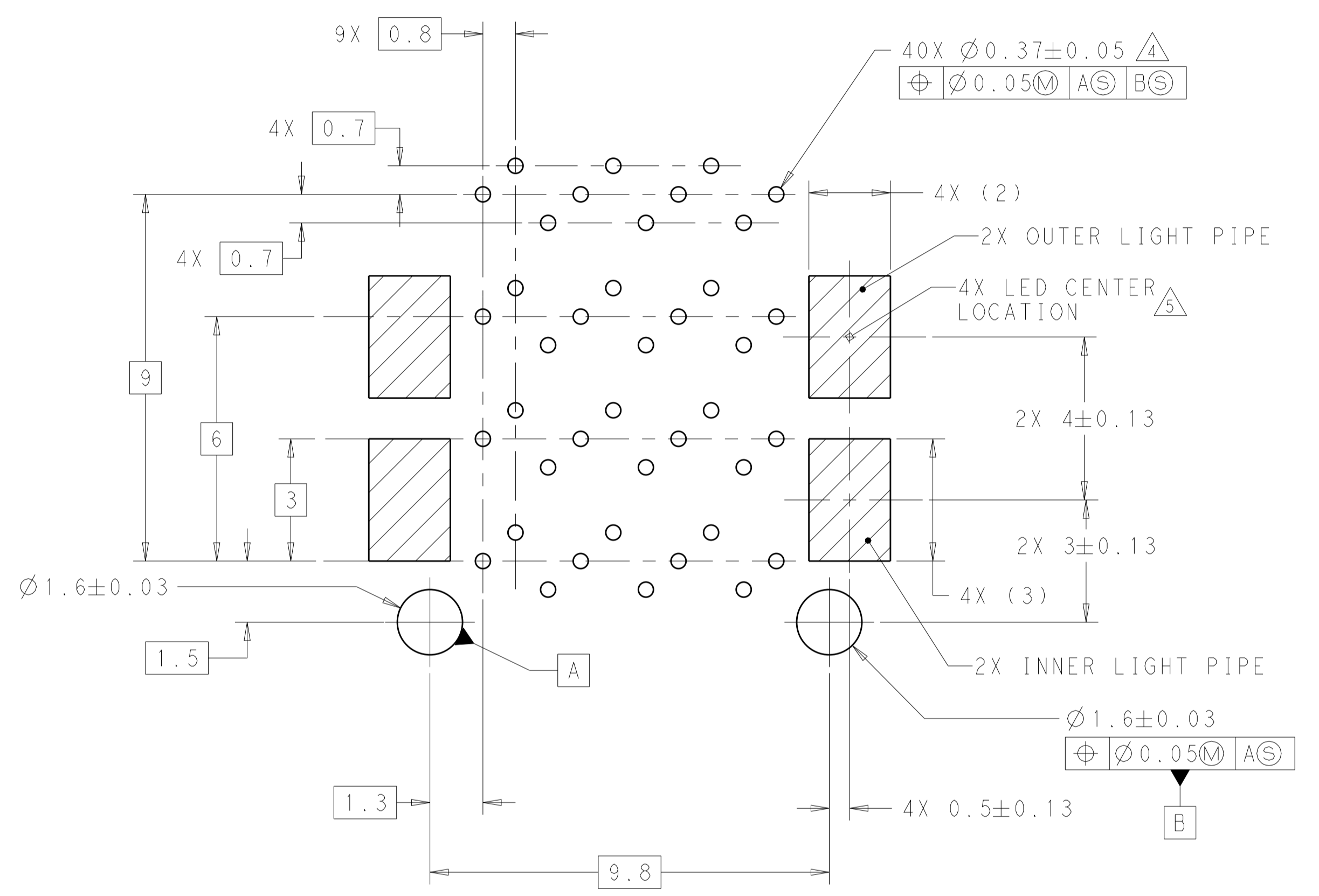


THIS DRAWING IS A CONTROLLED DOCUMENT.		DMN: J. WANG 26FEB2019	TE Connectivity														
DIMENSIONS: mm		CHK: S. HAN 26FEB2019															
TOLERANCES UNLESS OTHERWISE SPECIFIED:		APVD: S. HAN 26FEB2019	NAME: RECEPTACLE ASSEMBLY, 2X1, STACKED, SFP56														
<table border="1"> <tr><td>0 PLC</td><td>±0.25</td></tr> <tr><td>1 PLC</td><td>±0.25</td></tr> <tr><td>2 PLC</td><td>±0.25</td></tr> <tr><td>3 PLC</td><td>±0.25</td></tr> <tr><td>4 PLC</td><td>±0.25</td></tr> <tr><td>ANGLES</td><td>±°</td></tr> <tr><td>FINISH</td><td>±μm</td></tr> </table>		0 PLC	±0.25	1 PLC	±0.25	2 PLC	±0.25	3 PLC	±0.25	4 PLC	±0.25	ANGLES	±°	FINISH	±μm	PRODUCT SPEC: 108-2481	SIZE: A1
0 PLC	±0.25																
1 PLC	±0.25																
2 PLC	±0.25																
3 PLC	±0.25																
4 PLC	±0.25																
ANGLES	±°																
FINISH	±μm																
MATERIAL: SEE NOTES		APPLICATION SPEC: 114-13319	CAGE CODE: 100779														
		WEIGHT: -	DRAWING NO: 2349202														
		CUSTOMER DRAWING	SCALE: 6:1 SHEET 2 OF 4 REV A														

LOC	DIST	REVISIONS			
P	LTN	DESCRIPTION	DATE	DMN	APVD
-	-	SEE SHEET 1	-	-	-



RECOMMENDED PCB LAYOUT
SCALE 5:1



DETAIL C
RECOMMENDED PIN AND LIGHT PIPE LAYOUT
SCALE 10:1

THIS DRAWING IS A CONTROLLED DOCUMENT.		DMN: J. WANG 26FEB2019	TE Connectivity
DIMENSIONS: mm		CHK: S. HAN 26FEB2019	
TOLERANCES UNLESS OTHERWISE SPECIFIED:		APVD: S. HAN 26FEB2019	NAME: RECEPTACLE ASSEMBLY, 2X1, STACKED, SFP56
0 PLC	±0.25	PRODUCT SPEC	108-2481
1 PLC	±0.25	APPLICATION SPEC	114-13319
2 PLC	±0.25	SIZE	CAGE CODE
3 PLC	±0.25	DRAWING NO	RESTRICTED TO
4 PLC	±0.25	WEIGHT	A100779C=2349202
ANGLES	±4°	CUSTOMER DRAWING	SCALE 4:1 SHEET 3 OF 4 REV A

LOC	DIST	REVISIONS					
GP	00	P	LTH	DESCRIPTION	DATE	DWN	APVD
		-		SEE SHEET 1		-	-

T19○ T16○ T13○
 T20○ T17○ T14○ T11○
 T18○ T15○ T12○

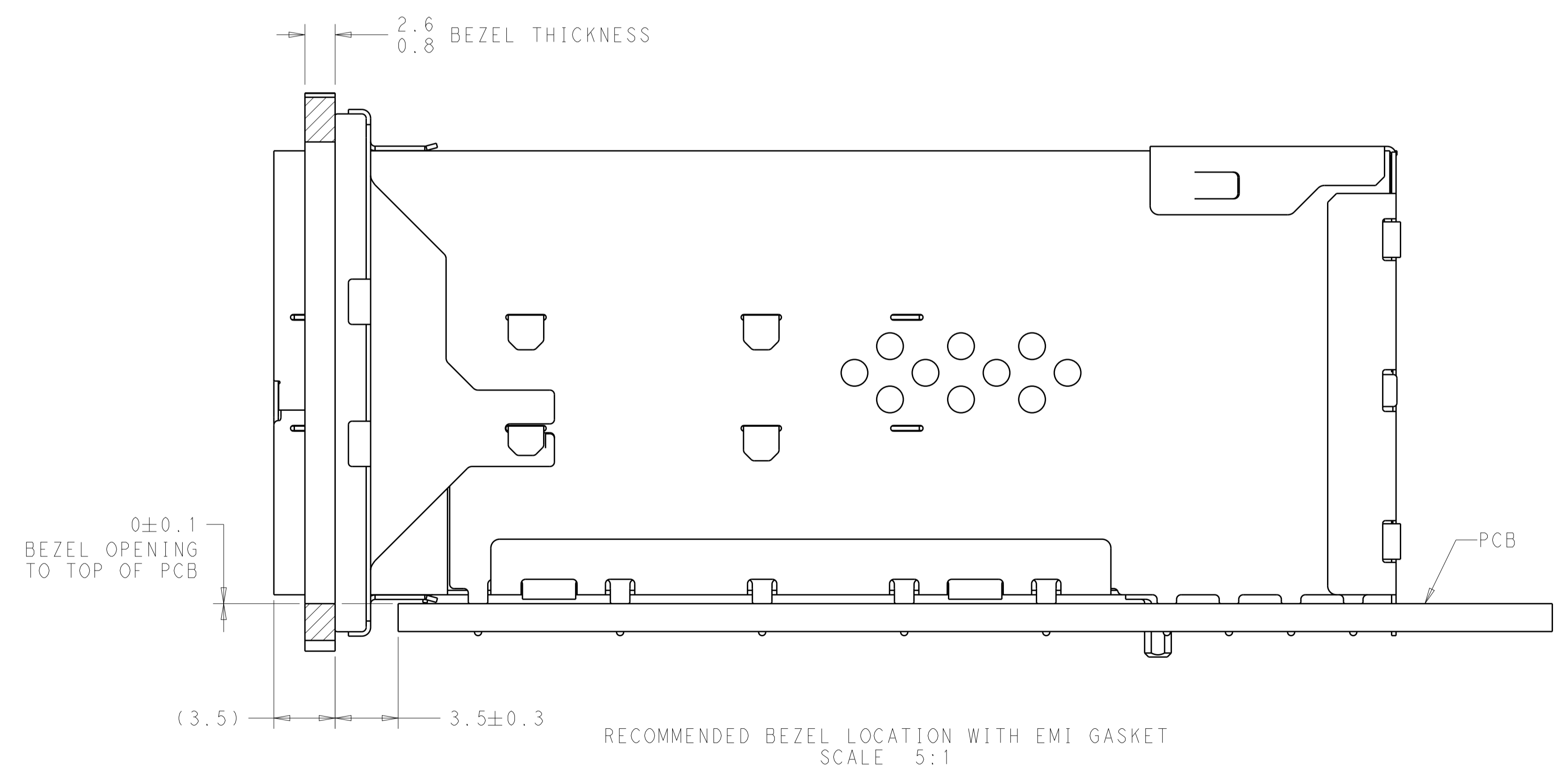
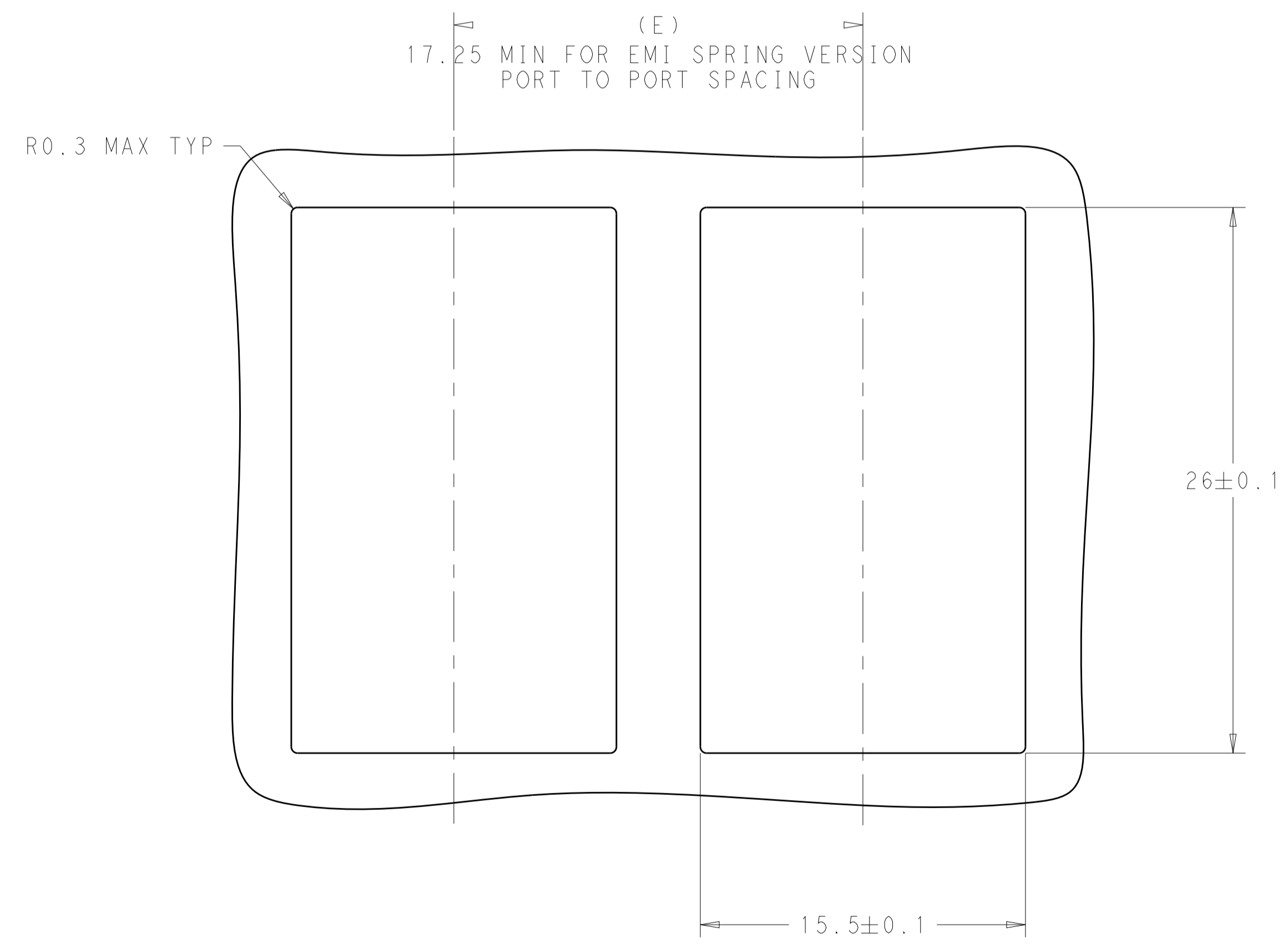
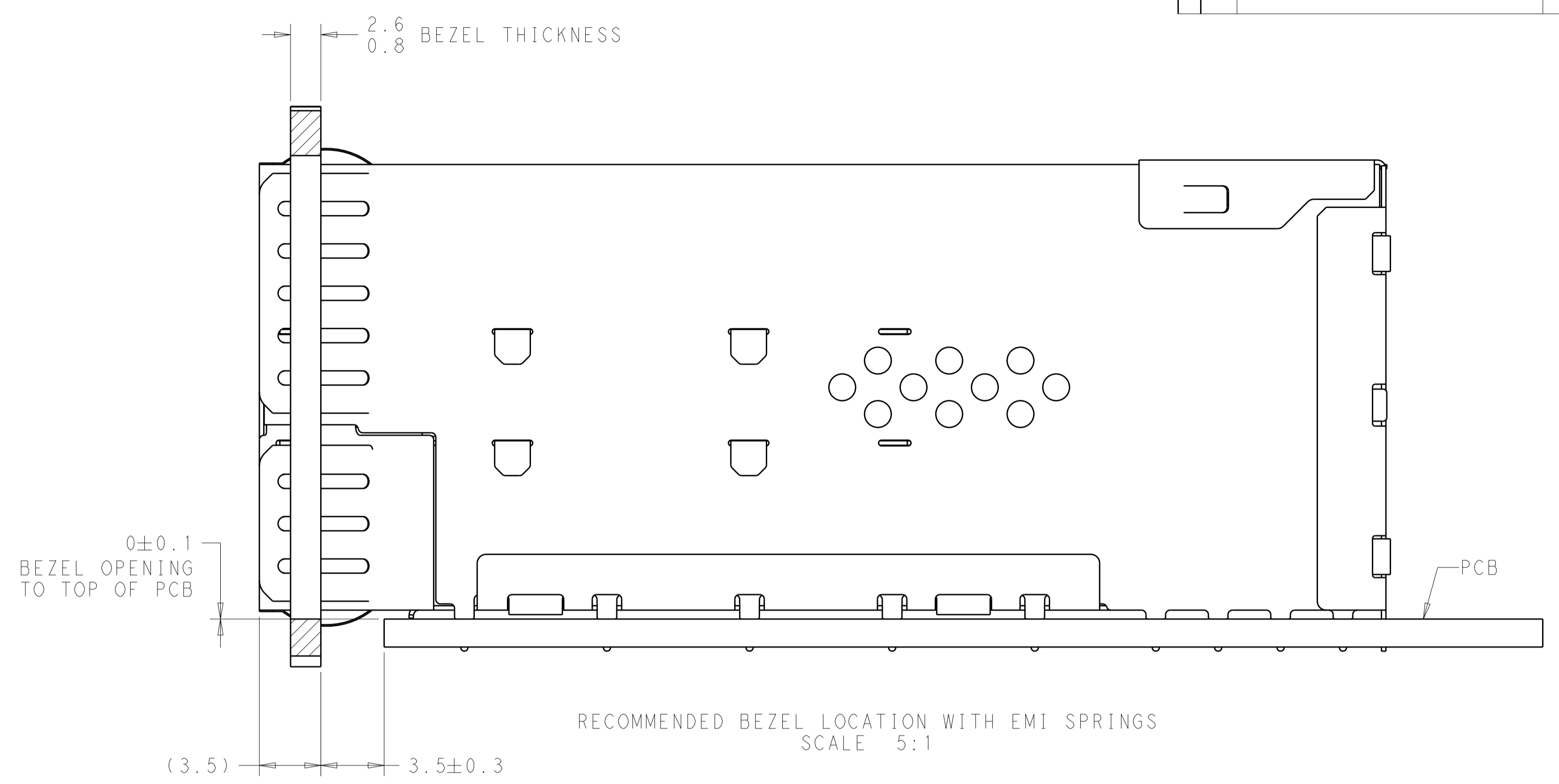
T2○ T5○ T8○
 T1○ T4○ T7○ T10○
 T3○ T6○ T9○

L9○ L6○ L3○
 L10○ L7○ L4○ L1○
 L8○ L5○ L2○

L12○ L15○ L18○
 L11○ L14○ L17○ L20○
 L13○ L16○ L19○

DETAIL D
 PIN MAP
 SCALE 15:1

PIN MAP LEGEND	
PIN NUMBER	FUNCTION
L1/T1	VEET
L2/T2	TX-FAULT
L3/T3	TX-DISABLE
L4/T4	SDA
L5/T5	SCL
L6/T6	MOD_ABS
L7/T7	RSO
L8/T8	RX_LOS
L9/T9	RS1
L10/T10	VEER
L11/T11	VEER
L12/T12	RD-
L13/T13	RD+
L14/T14	VEER
L15/T15	VCCR
L16/T16	VCCT
L17/T17	VEET
L18/T18	TD+
L19/T19	TD-
L20/T20	VEET



THIS DRAWING IS A CONTROLLED DOCUMENT.		DWN J. WANG 26FEB2019	TE Connectivity
DIMENSIONS: mm		CHK S. HAN 26FEB2019	
TOLERANCES UNLESS OTHERWISE SPECIFIED:		APVD S. HAN 26FEB2019	NAME RECEPTACLE ASSEMBLY, 2X1, STACKED, SFP56
0 PLC ±0.25 1 PLC ±0.25 2 PLC ±0.25 3 PLC ±0.25 4 PLC ±0.25 ANGLES ±°		PRODUCT SPEC 108-2481	SIZE 114-13319
MATERIAL SEE NOTES		FINISH SEE NOTES	RESTRICTED TO A100779C=2349202
CUSTOMER DRAWING		SCALE 4:1	SHEET 4 OF 4 REV A

单击下面可查看定价，库存，交付和生命周期等信息

[>>TE Connectivity\(泰科\)](#)