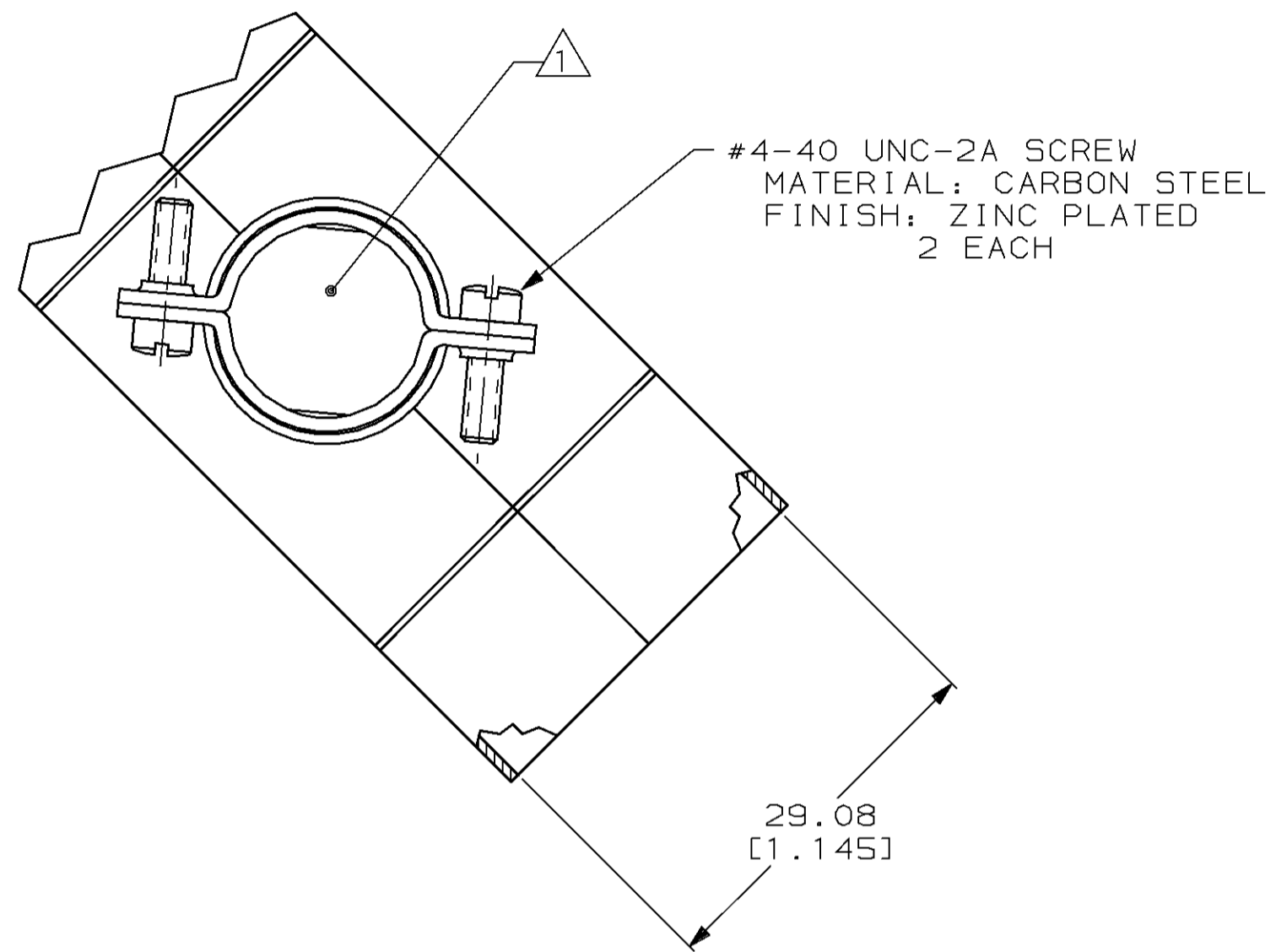
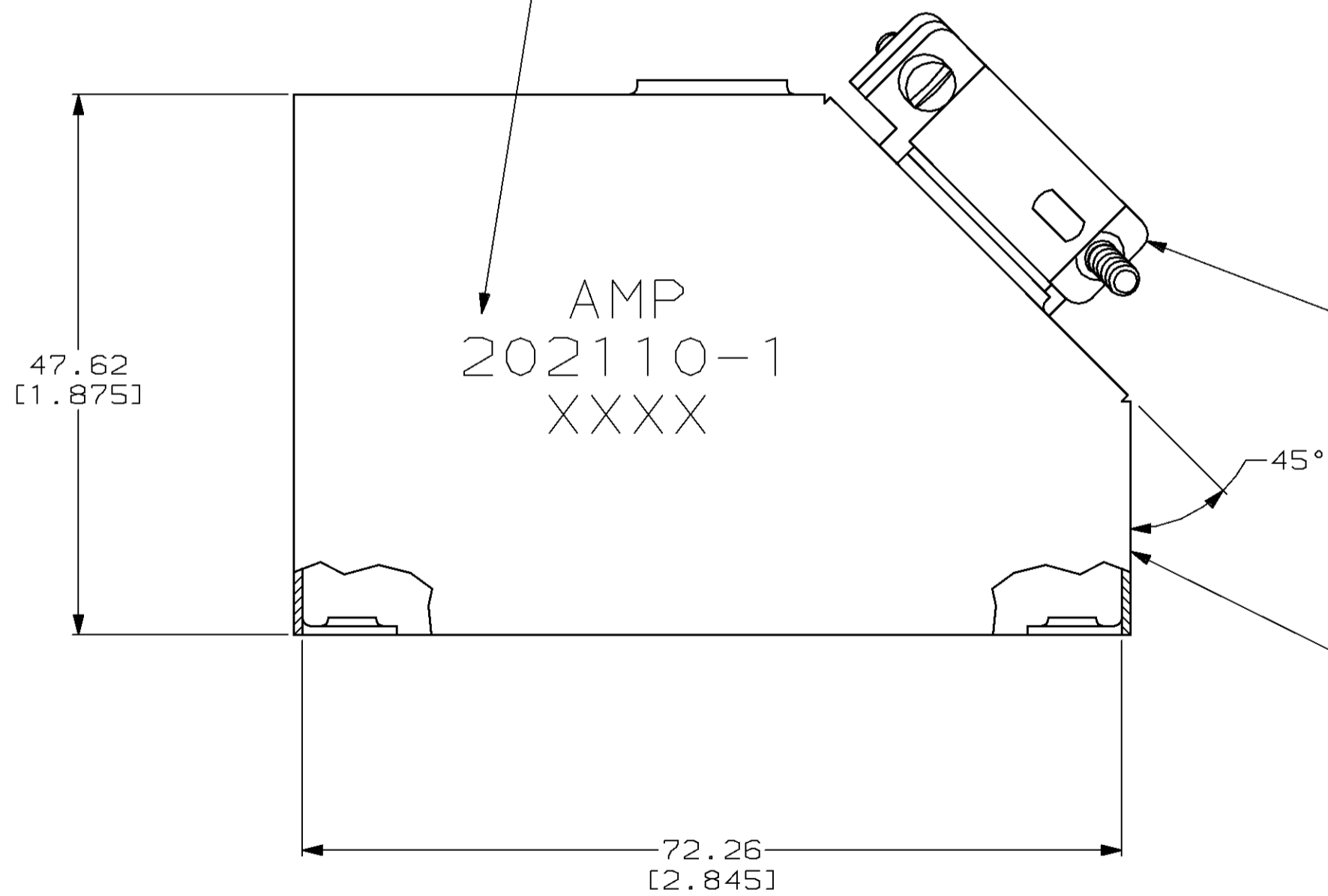


THIS DRAWING IS UNPUBLISHED. RELEASED FOR PUBLICATION
 © COPYRIGHT 19 BY AMP INCORPORATED. ALL RIGHTS RESERVED.

LOC	DIST	REVISIONS			
P	LTR	DESCRIPTION	DATE	OWN	APVD
BD	36	J	REDRAWN PER EC 0020-1178-94	14 SEP 95	-



AMP, PART NUMBER AND DATE CODE MARKED IN THIS AREA



CABLE CLAMP
 MATERIAL: CARBON STEEL
 FINISH: 5.08µm [.000200] MIN NICKEL
 2 EACH

SHIELD
 MATERIAL: CARBON STEEL
 FINISH: 5.08µm [.000200] MIN NICKEL
 2 EACH

202110-1
PART NUMBER

△ ACCOMMODATES 15.24-17.78 [.600-.700] DIAMETER CABLE.

<small>THIS DRAWING IS A CONTROLLED DOCUMENT FOR AMP INCORPORATED. IT IS SUBJECT TO CHANGE AND THE CONTROLLING ENGINEERING ORGANIZATION SHOULD BE CONTACTED FOR THE LATEST REVISION.</small>		DWN C. DORWART 14 SEP 95 CHK R. STONE 19 SEP 95 APVD G. STEINHAUER 05 OCT 95	AMP AMP Incorporated Harrisburg, PA 17105-3608
DIMENSIONS: mm [INCHES]	TOLERANCES UNLESS OTHERWISE SPECIFIED: 0 PLC ±- 1 PLC ±- 2 PLC ±0.38 [.015] 3 PLC ±- 4 PLC ±- ANGLES ±1°	PRODUCT SPEC APPLICATION SPEC	NAME SIZE CAGE CODE DRAWING NO
MATERIAL SEE CALLOUTS	FINISH SEE CALLOUTS	WEIGHT -	A2 00779 ©=202110 SCALE 2:1 SHEET 1 OF 1 REV J
CUSTOMER DRAWING			

单击下面可查看定价，库存，交付和生命周期等信息

[>>TE Connectivity\(泰科\)](#)