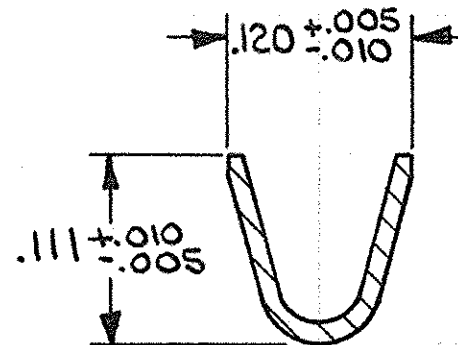
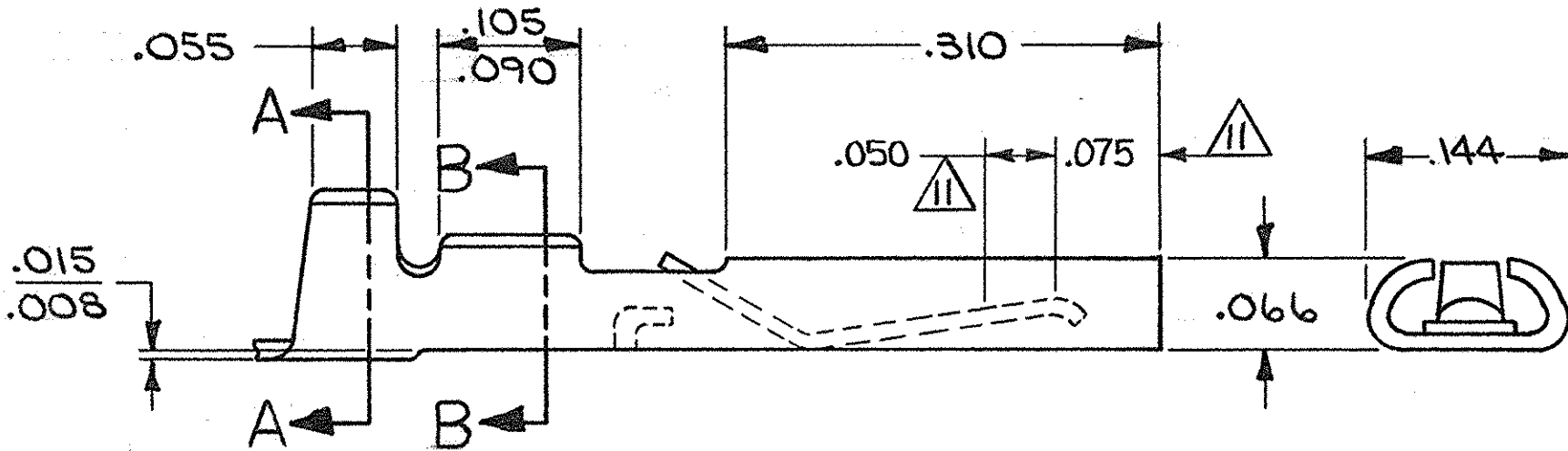
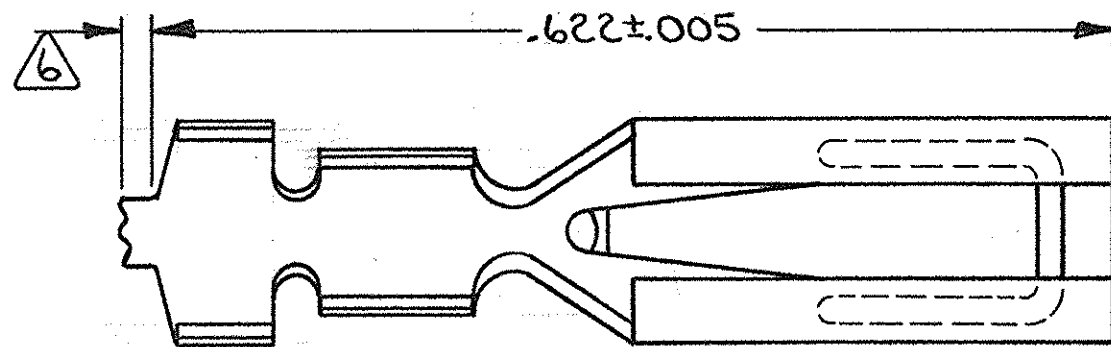
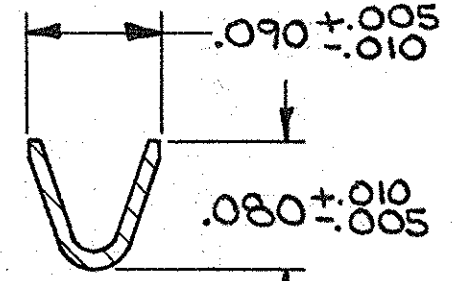


© COPYRIGHT 1981 BY AMP INCORPORATED, HARRISBURG, PA.  
ALL INTERNATIONAL RIGHTS RESERVED. AMP INCORPORATED PRODUCTS  
COVERED BY U. S. AND FOREIGN PATENTS AND/OR PATENTS PENDING.

REVISIONS						
P	F	ZONE	LTR	DESCRIPTION	DATE	APPROVED
			O <sub>1</sub>	REVISED PER 8079 <sup>D</sup> <sub>P</sub>	8/10/82	EAM
			P	OBS-2; 5; 7 ECHDF 0949	11-88	JW
			R	REVISED PER OH14-0139-05	1-06	PY RG



SECT A-A



SECT B-B

- ① MAT'L: PHOS. BRONZE
- ② .000015 GOLD OVER .000030 NICKEL IN CONTACT AREA.
- ③ .000030 GOLD OVER .000030 NICKEL IN CONTACT AREA.
- ④ .000050 GOLD OVER .000030 NICKEL IN CONTACT AREA.
- ⑤ .000100 TIN-LEAD OVER .000030 NICKEL ON WIRE BARREL.
- ⑥ CUT-OFF TAB FOR LOOSE PIECE PARTS IS .005-.020.
- ⑦ INSUL. RANGE: .040 -.080 DIA.
- ⑧ WIRE RANGE: #24 THRU #20.
- ⑨ FOR CRIMPING INFORMATION SEE SPEC. #108-9201.
- ⑩ FOR SUPPLEMENTAL SPECIFICATIONS SEE #108-9004.
- ⑪ THE GOLD COVERED AREA WILL BE THE .125 BAND, THE GOLD THICKNESS IS TO BE MEASURED IN THE .050 WIDE BAND.
- ⑫ OBSOLETE PART NO.
- ⑬ .000100 TIN OVER .000030 NICKEL IN WIRE BARREL

5-531586-6	⑧	⑦	③ ③	5-531586-3
⑫ 531586-7	⑧	⑦	④ ⑤	531586-4
531586-6	⑧	⑦	③ ⑤	531586-3
⑫ 531586-5	⑧	⑦	⑫ ② ⑤	531586-2

UNLESS OTHERWISE SPECIFIED DIMENSIONS ARE IN INCHES. TOLERANCES ON: DECIMALS ± .010		CONTRACT NO DR <i>D. L. Evans</i> 3-2-81		AMP INCORPORATED Harrisburg, Pa.	
MATERIAL ①		CHK <i>D. L. Kelly</i> 3-3-81		NAME AMP BLADE II, RECEPTACLE CONTACT	
FINISH ② ③ ④ ⑤		APPD <i>[Signature]</i> 3-4-81		SIZE B	
		APPD <i>[Signature]</i> 3-5-81		CODE IDENT NO 00779	
		DSGN APPD		DRAWING NO 531586	
		OTHER APPD		SCALE 8-1	
				SHEET 1 OF 1	

单击下面可查看定价，库存，交付和生命周期等信息

[>>TE Connectivity\(泰科\)](#)