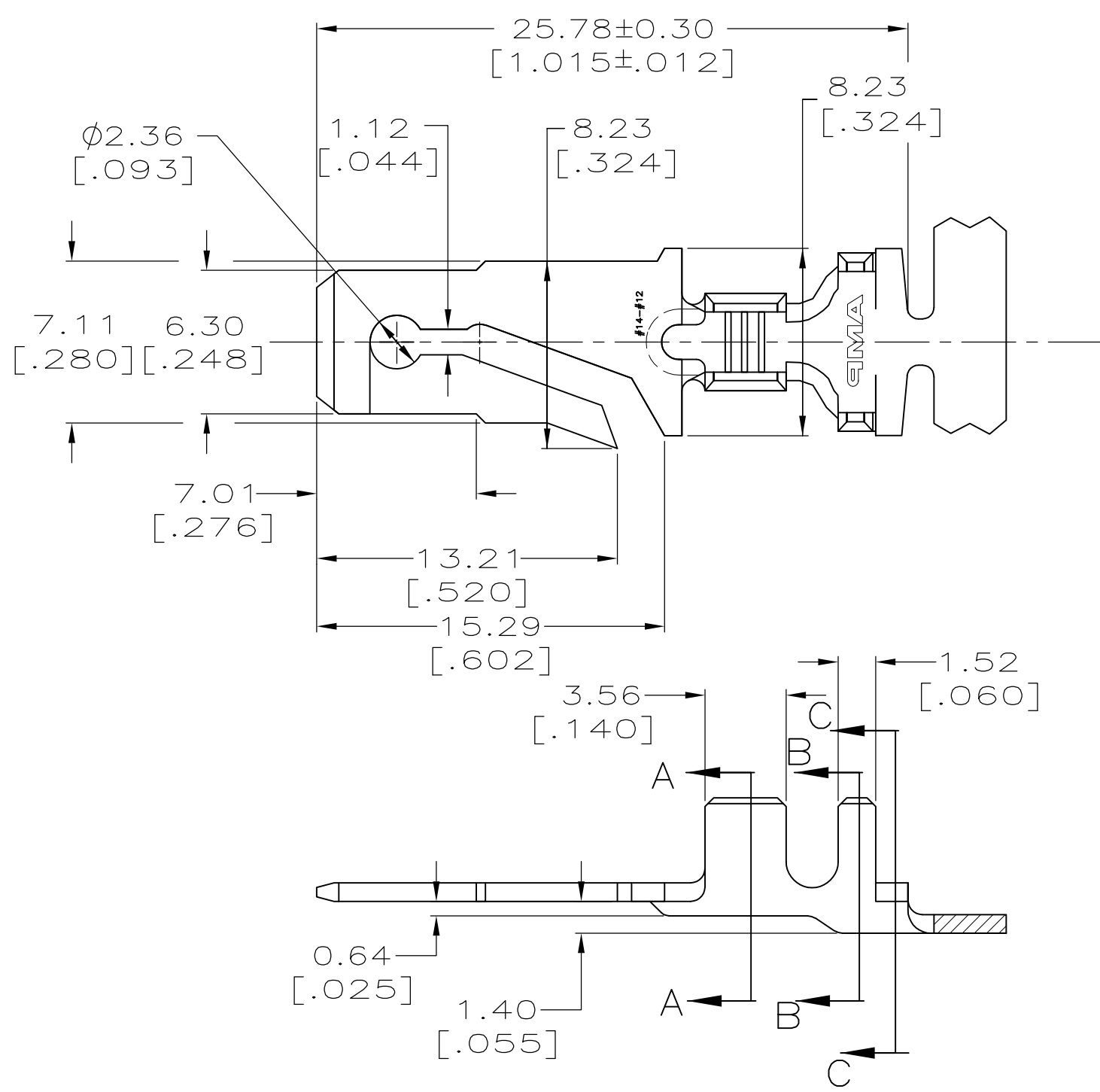
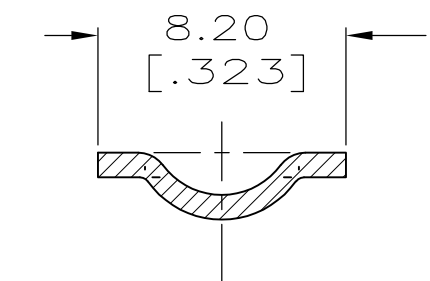


THIS DRAWING IS UNPUBLISHED. RELEASED FOR PUBLICATION  
 © COPYRIGHT - By - ALL RIGHTS RESERVED.

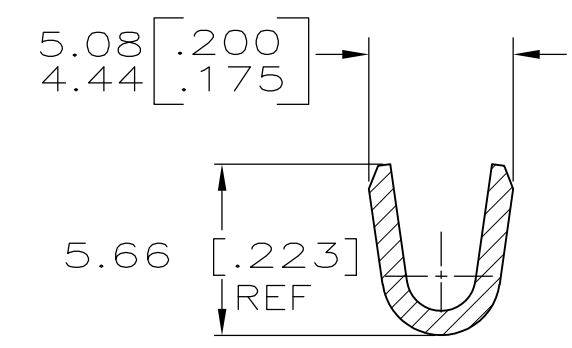
LOC	DIST	REVISIONS			
P	LTR	DESCRIPTION	DATE	DWN	APVD
AF	50	D	REVISED PER ECR-13-005733	22AUG2013	KH PD



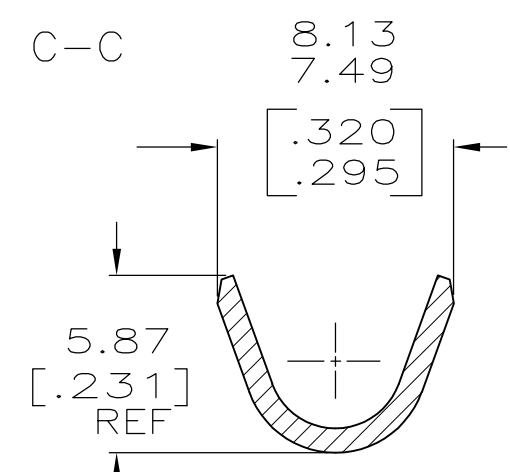
- 1 CONTINUOUS STRIP ON REELS.
- 2 WIRE SIZE IS [#14-#12] AWG.
- 3 INSULATION RANGE IS 3.56-4.44 [.140-.175] DIA.



SECTION C-C




SECTION A-A



SECTION B-B

1217148-1  
PART NO.

THIS DRAWING IS A CONTROLLED DOCUMENT.		DWN	JR RUTH	29MAR99	 <b>TE Connectivity</b>			NAME BLADE, 6.35 [.250] SERIES					
DIMENSIONS: mm [INCHES]		CHK	MS FEHER	29MAR99									
TOLERANCES UNLESS OTHERWISE SPECIFIED:		APVD	D BRATINA	29MAR99									
0 PLC ± - 1 PLC ± - 2 PLC ± 0.25 [.010] 3 PLC ± - 4 PLC ± - ANGLES ± -		PRODUCT SPEC	-	-									
MATERIAL	BRASS	FINISH	TIN	WEIGHT	-	SIZE	A3	CAGE CODE	00779	DRAWING NO	C-1217148	RESTRICTED TO	-
CUSTOMER DRAWING						SCALE	4:1	SHEET	1 OF 1	REV	D		

单击下面可查看定价，库存，交付和生命周期等信息

[>>TE Connectivity\(泰科\)](#)