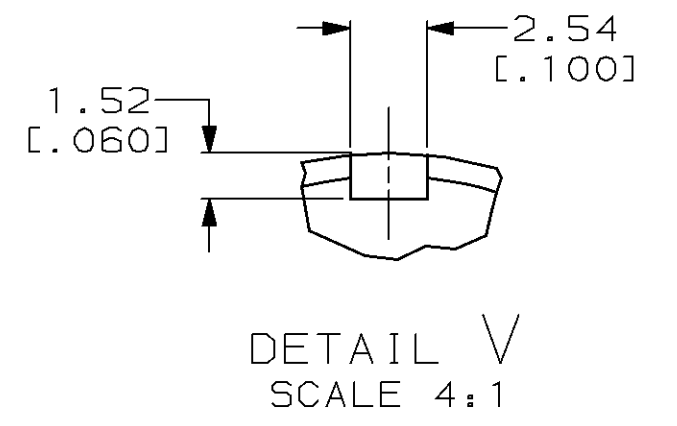
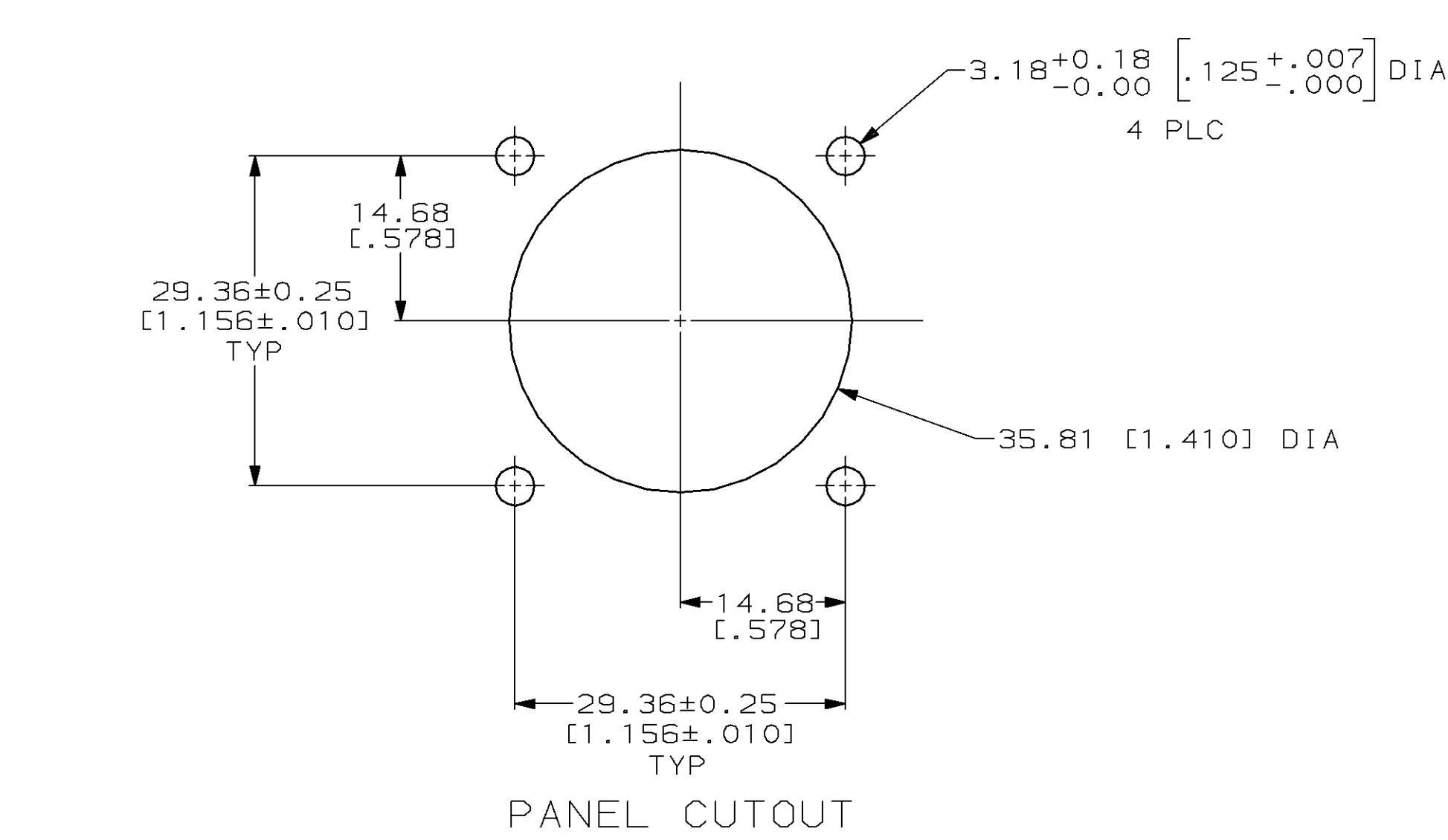
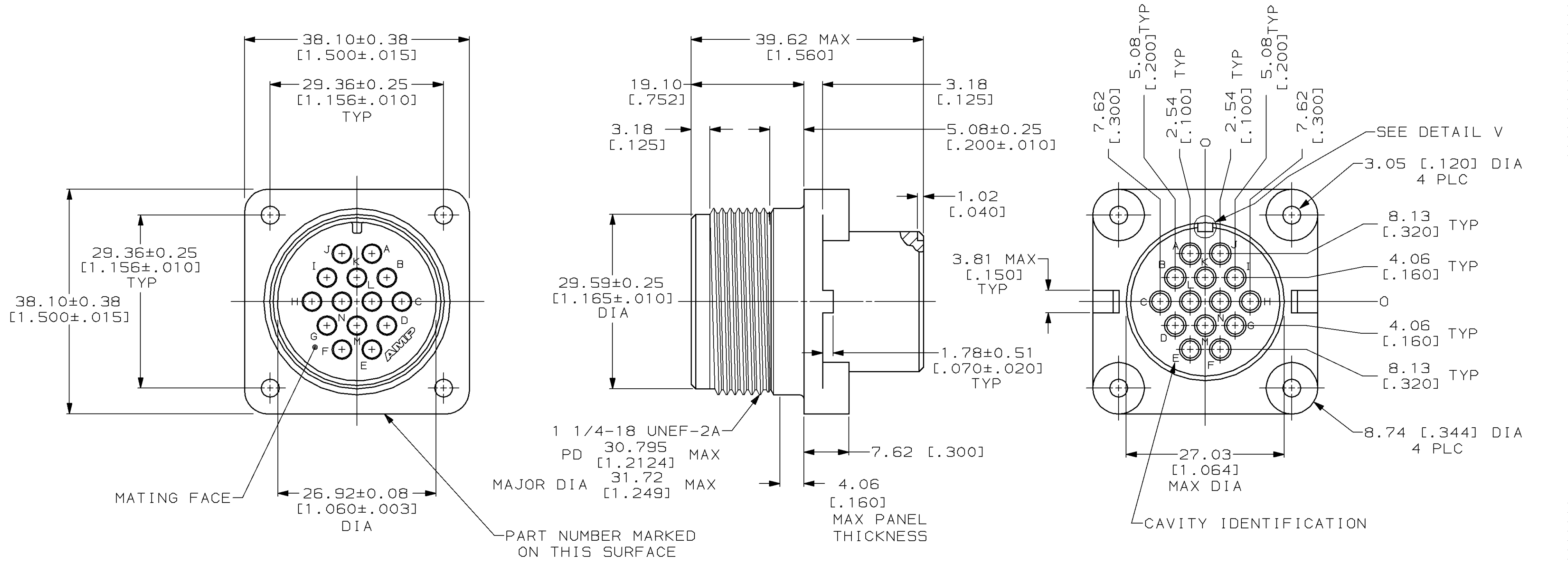


LOC	DIST	P	F	ZONE	LTR	REVISIONS		
						DESCRIPTION	DATE	APPD
BD	35				C	REV PER EC 0020-299-93	04/12/93	RW
					D	REV PER EC 0020-155-94	03/10/94	AF
					E	REV PER EC 0020-0740-94	07/13/94	AF
					F	REV PER EC 0020-0657-95	06/27/95	RB



1. RECEPTACLE MATES WITH PRODUCT DESIGNED TO MIL SPEC 5015.
2. RECEPTACLE WILL ACCEPT TYPE III+ PIN CONTACTS.

DO NOT SCALE PRINT. UNLESS SPECIFIED DIMENSIONS IN mm [INCHES] TOLERANCES ON:		DR 01/17/91 L.SIPE		213651-1	
2 PLC DEC ± 0.13 [0.005]		CHK 1-30-91 R.STONE		PART NO	
3 PLC DEC ± -		APPD 1-30-91 K.BEAVER		AMP Incorporated Harrisburg, PA 17105-3608	
ANGLES ± -		APPD 1-31-91 J.FULPONI			
MATERIAL	POLYAMID, BLACK	PRODUCT SPEC	108-10024	NAME	
FINISH	-	APPLICATION SPEC	114-10004	SIZE	CAGE CODE
		WEIGHT	-	③	00779
				SCALE	2:1
				DRAWING NO	213651
				SHEET	1 OF 1

单击下面可查看定价，库存，交付和生命周期等信息

[>>TE Connectivity\(泰科\)](#)