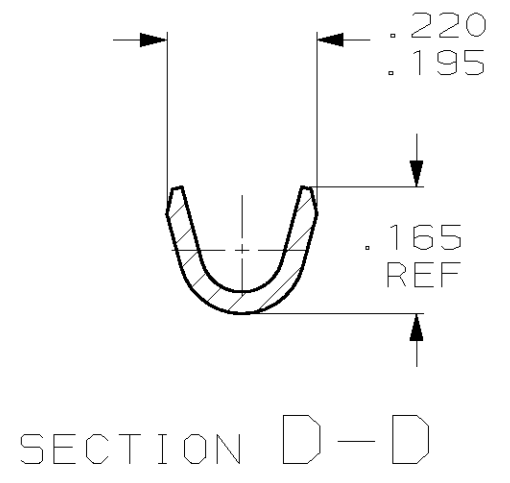
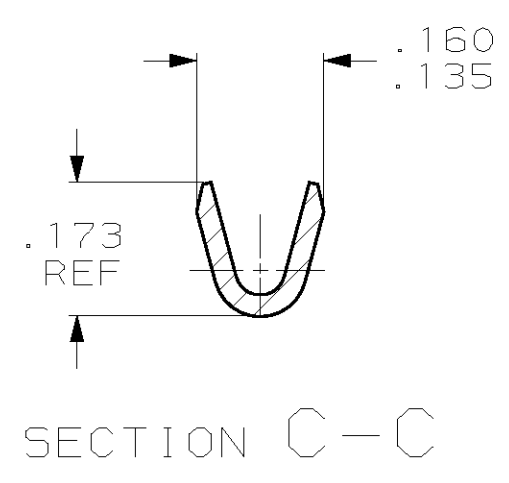
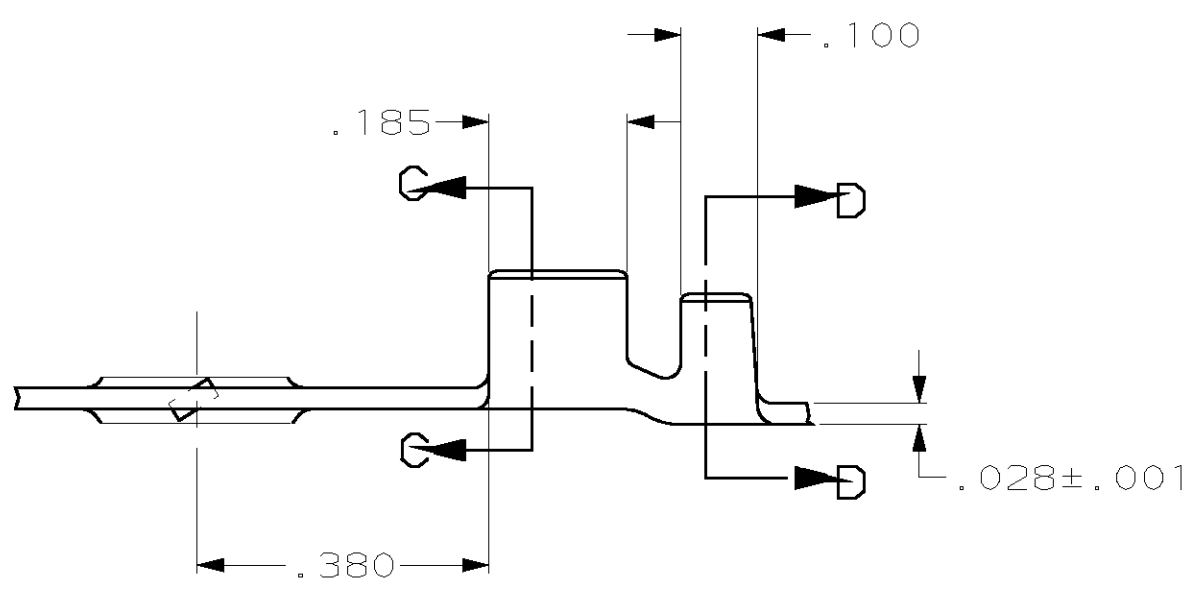
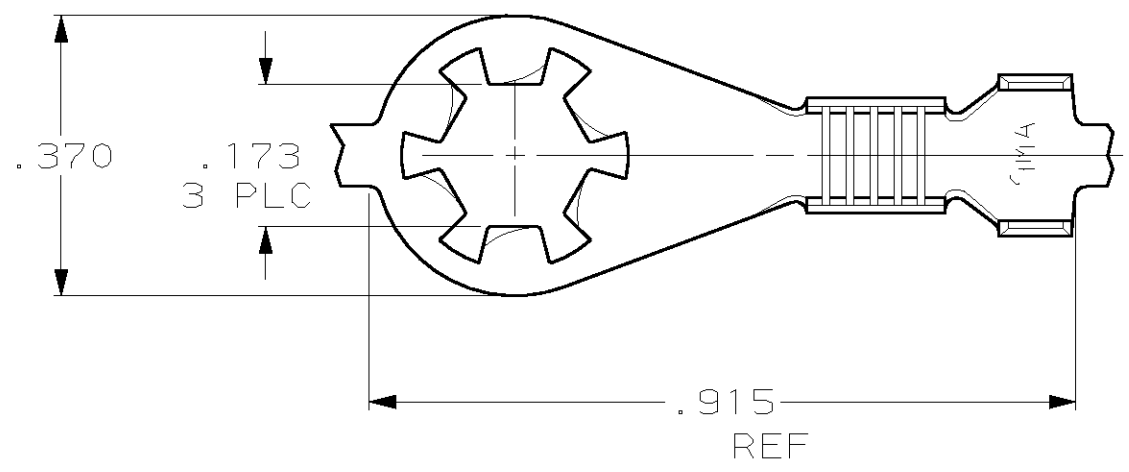


THIS DRAWING IS UNPUBLISHED. RELEASED FOR PUBLICATION ,19 .
 © COPYRIGHT 19 BY AMP INCORPORATED. ALL RIGHTS RESERVED.

LOC	DIST	REVISIONS				
P	LTR	DESCRIPTION	DATE	DWN	APVD	
AF	50	0	DRAWN	-	-	

- 1 CONTINUOUS STRIP ON REELS.
- 2 WIRE SIZE IS #18-#14 MAGNET WIRE
- 3 INSULATION RANGE IS .080-.120 DIA



485079-1
PART NO.

THIS DRAWING IS A CONTROLLED DOCUMENT.		DWN JR RUTH 23APR02	AMP Incorporated Harrisburg, PA 17105-3608															
DIMENSIONS: INCHES		CHK D DECKER 23APR02																
TOLERANCES UNLESS OTHERWISE SPECIFIED:		APVD D DECKER 23APR02	NAME RING, ANTI-ROTATIONAL, AMPLIVAR															
<table border="1"> <tr><td>0 PLC</td><td>±-</td></tr> <tr><td>1 PLC</td><td>±-</td></tr> <tr><td>2 PLC</td><td>±-</td></tr> <tr><td>3 PLC</td><td>±.010</td></tr> <tr><td>4 PLC</td><td>±-</td></tr> <tr><td>ANGLES</td><td>±-</td></tr> </table>		0 PLC	±-	1 PLC	±-	2 PLC	±-	3 PLC	±.010	4 PLC	±-	ANGLES	±-	PRODUCT SPEC -	SIZE A3	CAGE CODE 00779	DRAWING NO C- 485079	RESTRICTED TO -
0 PLC	±-																	
1 PLC	±-																	
2 PLC	±-																	
3 PLC	±.010																	
4 PLC	±-																	
ANGLES	±-																	
MATERIAL T4 LU BRONZE		FINISH -	WEIGHT -	SCALE 4:1		SHEET 1 OF 1	REV 0											
CUSTOMER DRAWING																		

单击下面可查看定价，库存，交付和生命周期等信息

[>>TE Connectivity\(泰科\)](#)