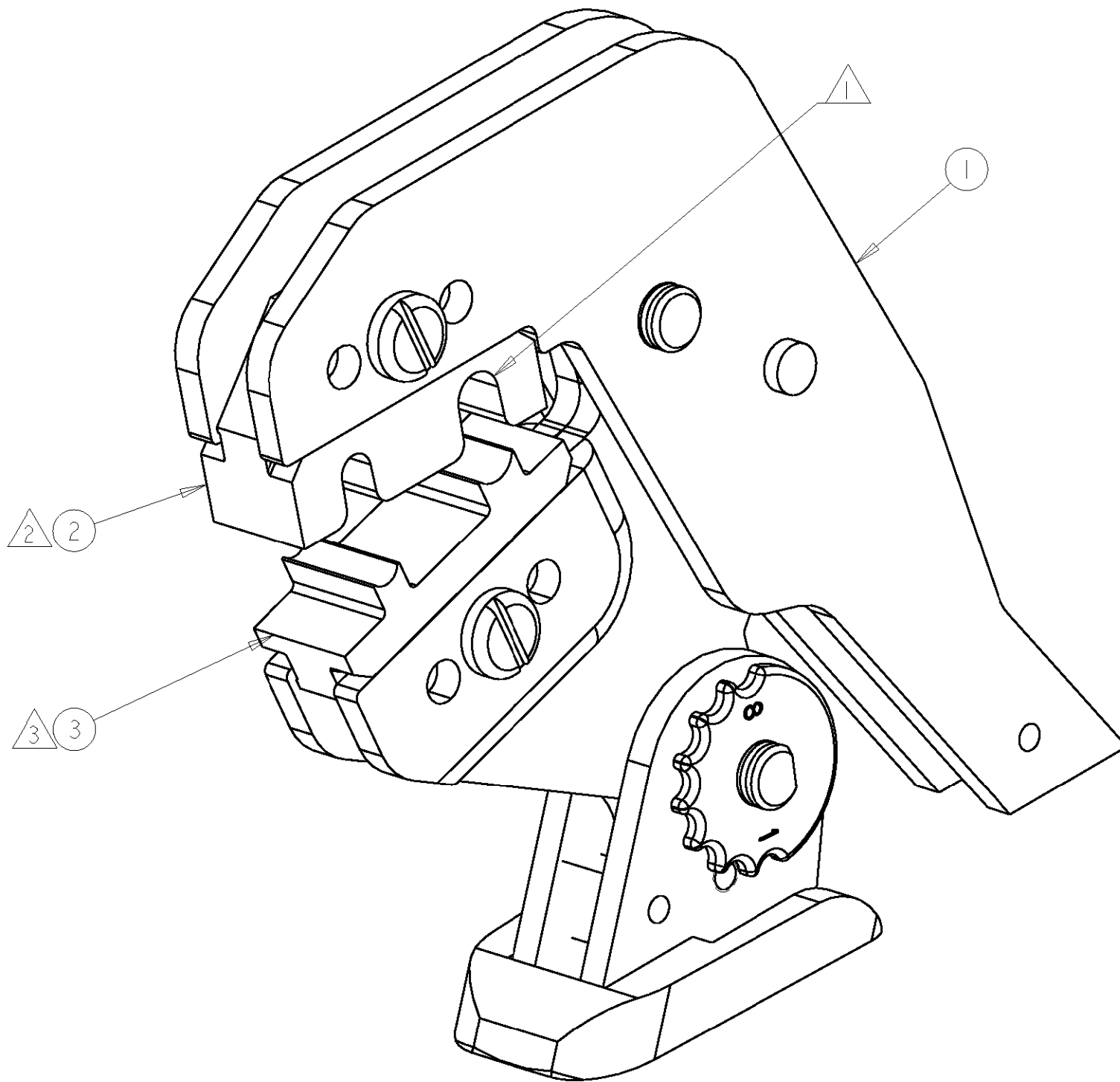


THIS DRAWING IS UNPUBLISHED. RELEASED FOR PUBLICATION 20
 © COPYRIGHT 20 BY TYCO ELECTRONICS CORPORATION. ALL RIGHTS RESERVED.

LOC	DIST	REVISIONS					
		P	LTR	DESCRIPTION	DATE	DWN	APVD
CE	16		C	REVISED PER 0A00-0130-01	29JAN2002	TA	DK



- ① LARGE CRIMP DIAMETER TO THE BACK OF HANDTOOL.
- ② INDENTER TO BE PLACED IN UPPER STATIONARY JAW.
- ③ ANVIL TO BE PLACED IN LOWER MOVABLE JAW.

QTY	DESCRIPTION	ITEM NO
1	ANVIL, CRIMP TOOL	3
1	INDENTER, CRIMP TOOL	2
1	HANDTOOL, PRO-CRIMPER, BLUE HANDLES	1
-1	DESCRIPTION	ITEM NO

<small>THIS DRAWING IS A CONTROLLED DOCUMENT FOR TYCO ELECTRONICS CORPORATION IT IS SUBJECT TO CHANGE AND THE CONTROLLING ENGINEERING ORGANIZATION SHOULD BE CONTACTED FOR THE LATEST REVISION.</small>		DWN 28AUG2000 T. ALEXANDER CHK 29AUG2000 M. HAMONKO APVD 29AUG2000 S. BUCHTER	AMP Tyco Electronics Harrisburg, PA 17105-3608
DIMENSIONS: INCHES 	TOLERANCES UNLESS OTHERWISE SPECIFIED: 0 PLC ±- 1 PLC ±- 2 PLC ±- 3 PLC ±- 4 PLC ±- ANGLES ±-	PRODUCT SPEC - APPLICATION SPEC - WEIGHT -	NAME HANDTOOL W/DIESET, NEXT GENERATION, AMP SC/FC, BLUE HANDLES
MATERIAL -	FINISH -	SIZE A3 CAGE CODE 00779 DRAWING NO C-503911	RESTRICTED TO -
CUSTOMER DRAWING		SCALE 2:1	SHEET 1 OF 1 REV C

单击下面可查看定价，库存，交付和生命周期等信息

[>>TE Connectivity\(泰科\)](#)