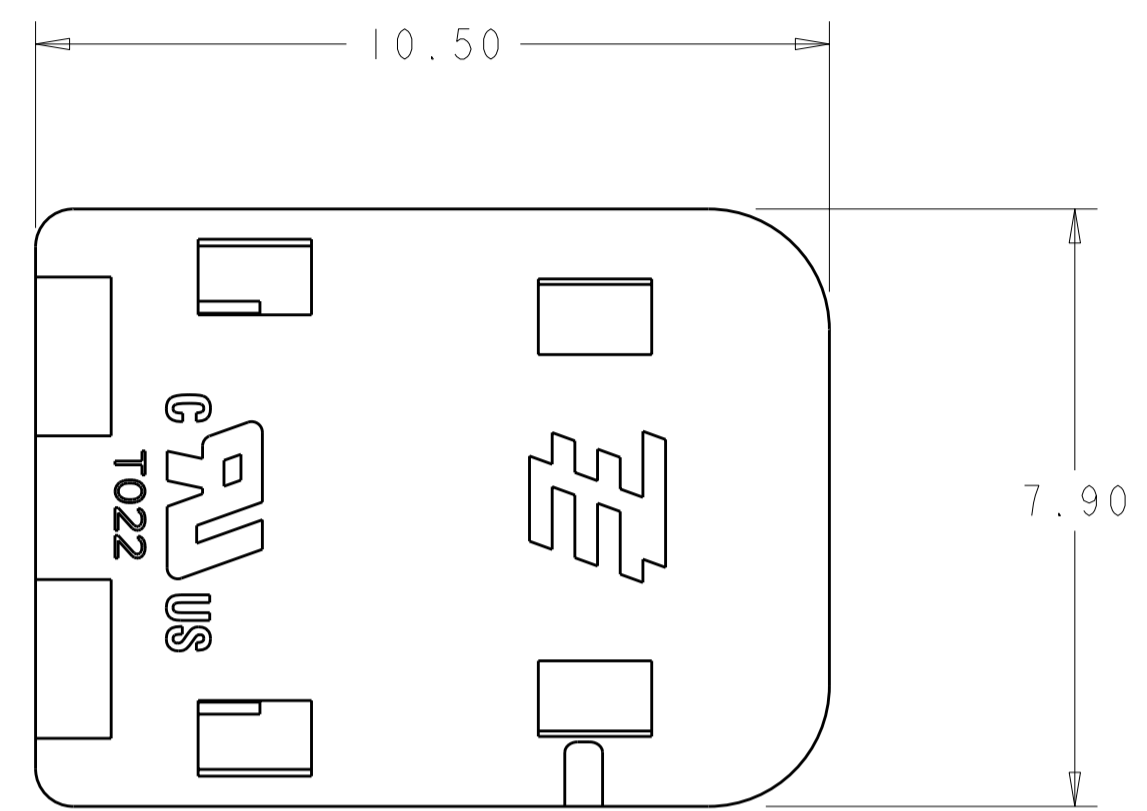
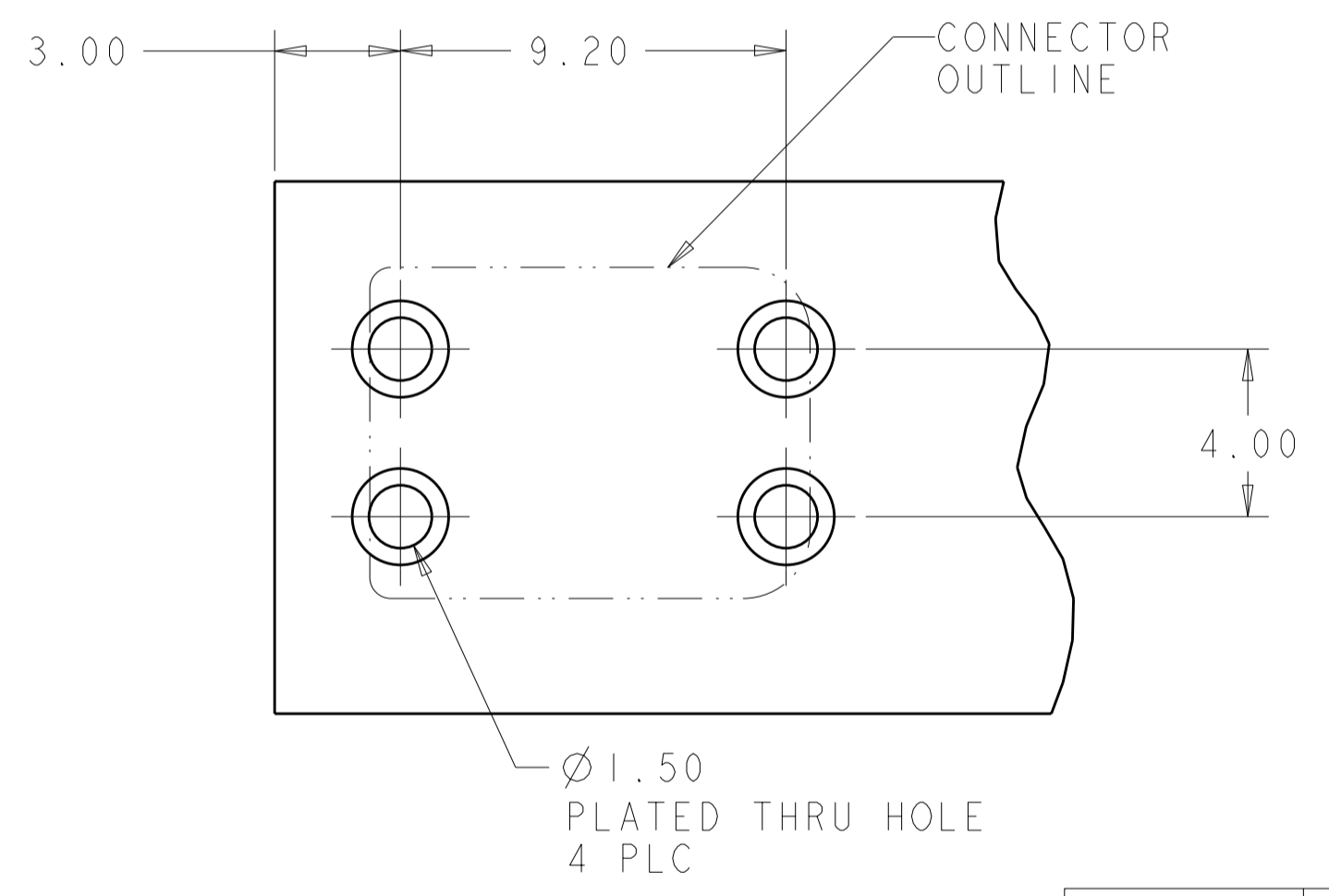
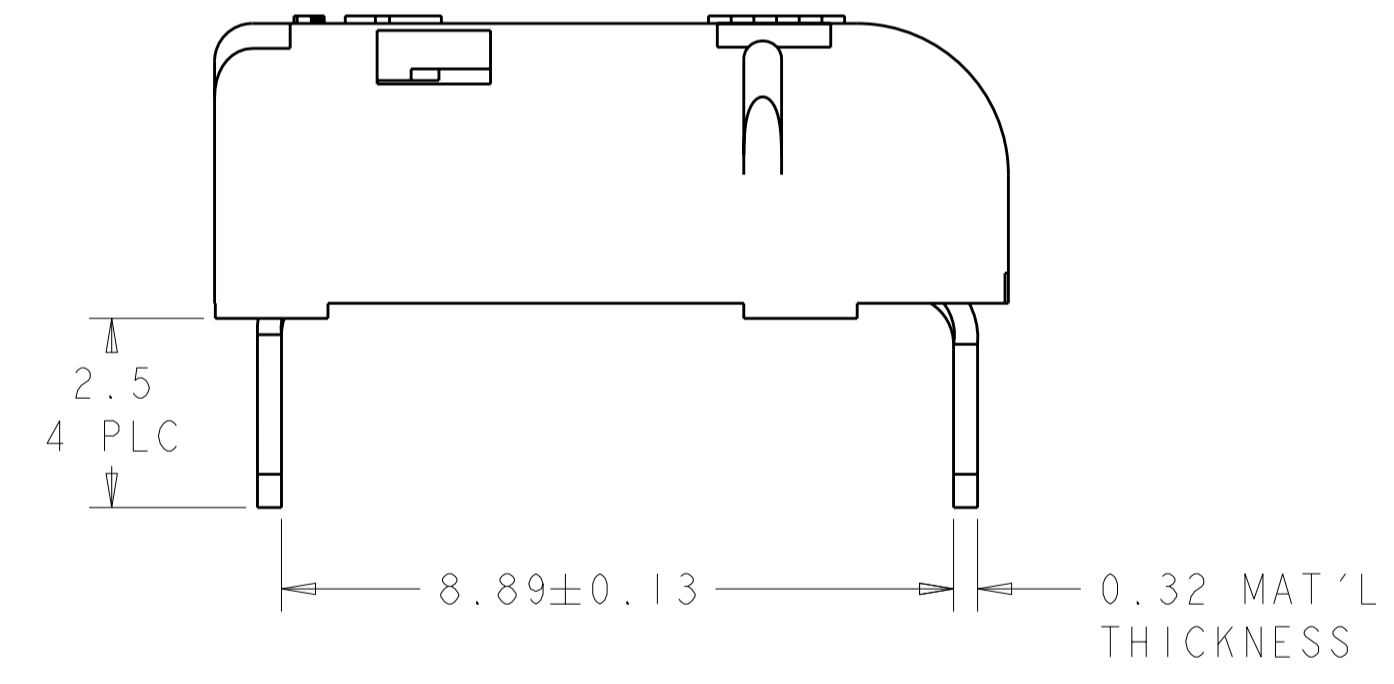
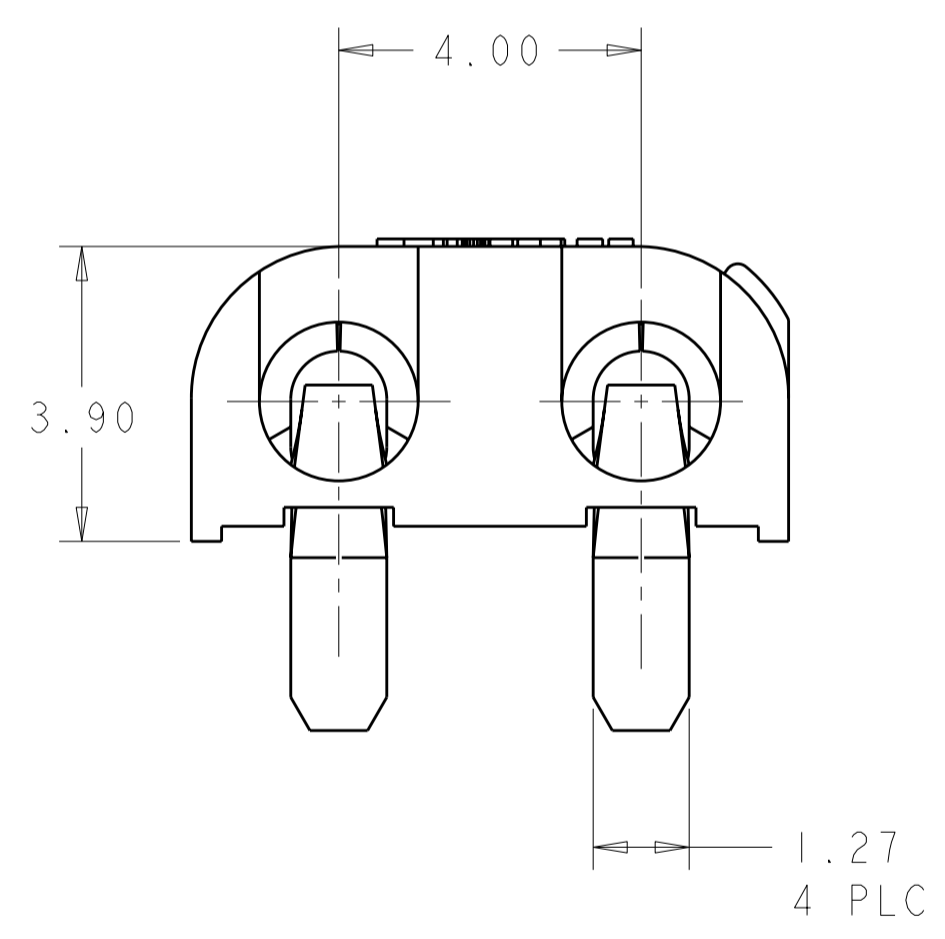


THIS DRAWING IS UNPUBLISHED. RELEASED FOR PUBLICATION 20  
 © COPYRIGHT 20 BY TYCO ELECTRONICS CORPORATION. ALL RIGHTS RESERVED.

REVISIONS					
P	LTR	DESCRIPTION	DATE	DWN	APVD
-	-				
	A2	REVISED PER ECR-09-002050	30JAN2009	HMR	DD



- △ MATERIALS AND FINISH:  
 - HOUSING: LCP, COLOR: WHITE  
 - CONTACTS: COPPER ALLOY, FINISH: TIN
- MUST COMPLY WITH DIRECTIVE 2002/95/EC (ROHS)
  - THIS PRODUCT HAS NOT COMPLETED VALIDATION TESTING.
  - WIRE TYPES AND SIZES ACCEPTED  
 18, 20 AND 22 AWG SOLID WIRE  
 18 AND 20 AWG PREBOND STRANDED WIRE  
 18 AWG STRANDED WIRE (16 STRAND COUNT)  
 MAX INSULATION OD: 2.10 MM (.083")  
 STRIP LENGTH: 7.0±1.0 (.276")
  - PACKAGED IN TAPE AND REEL
- △ MATERIALS AND FINISH:  
 - HOUSING: LCP, COLOR: BLACK  
 - CONTACTS: COPPER ALLOY, FINISH: TIN



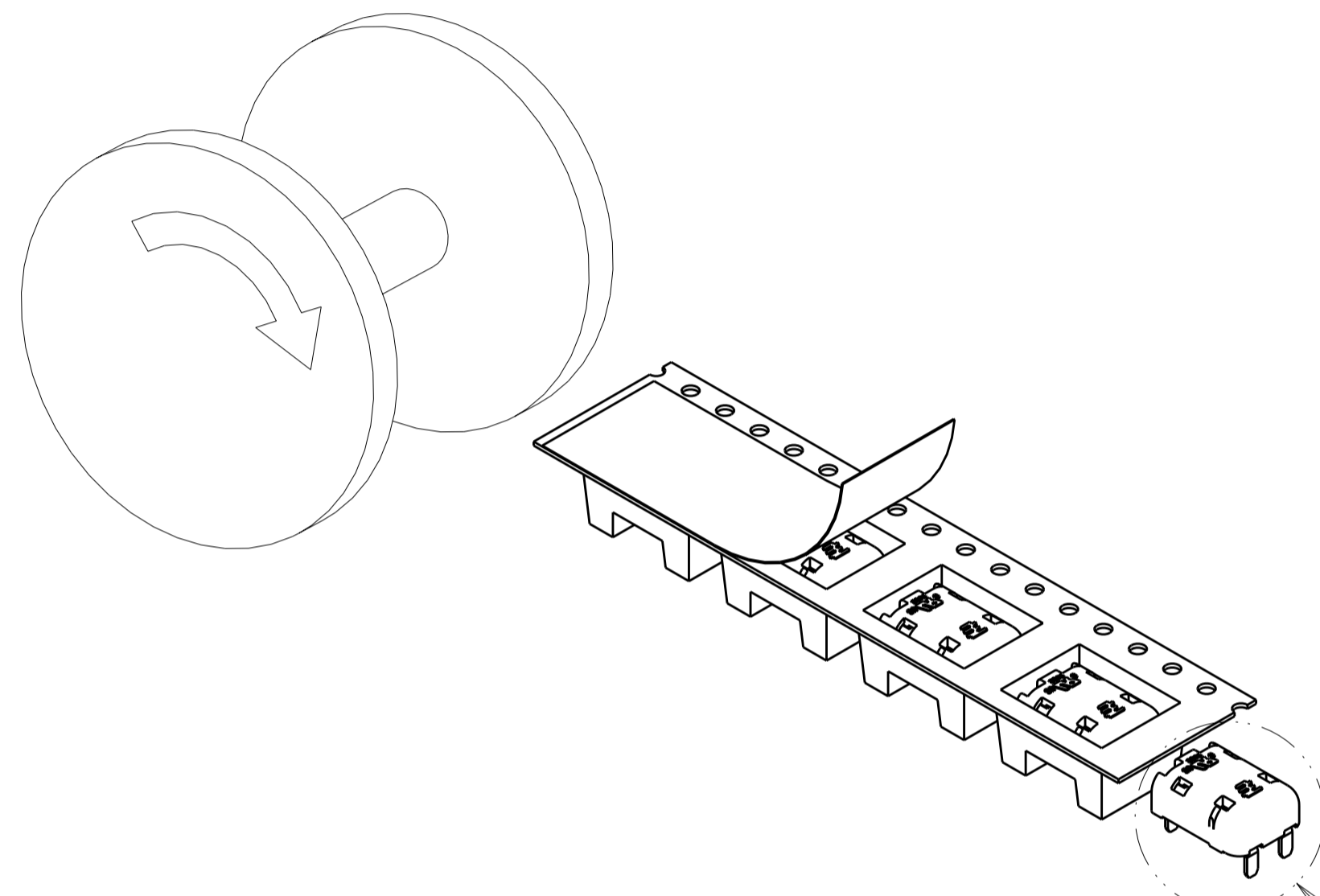
RECOMMENDED PCB LAYOUT  
 SCALE 6:1

△6	BLACK	2008106-2
△1	WHITE	2008106-1
	MATERIAL	COLOR
		PART NO.

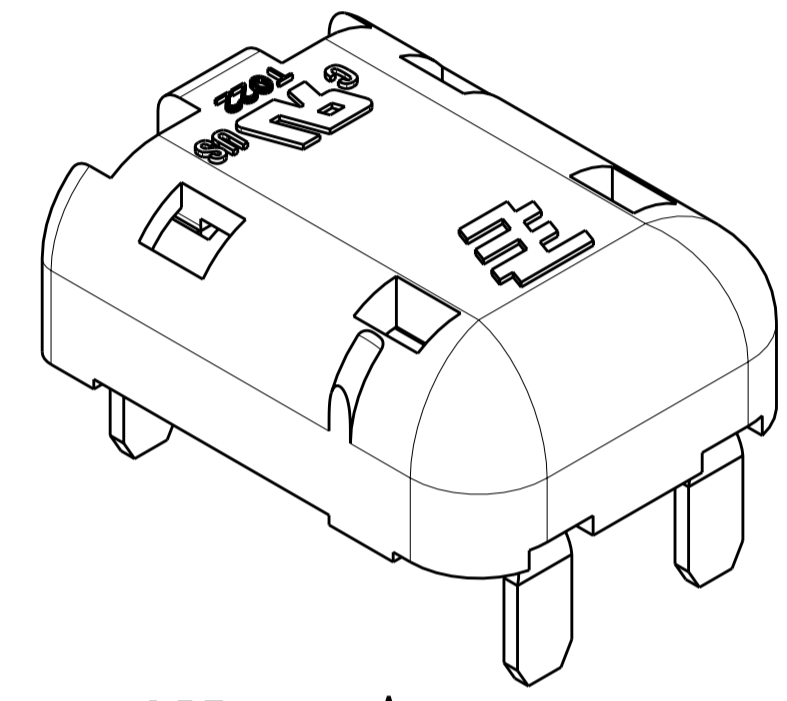
THIS DRAWING IS A CONTROLLED DOCUMENT FOR TYCO ELECTRONICS CORPORATION. IT IS SUBJECT TO CHANGE AND THE CONTROLLING ENGINEERING ORGANIZATION SHOULD BE CONTACTED FOR THE LATEST REVISION.		DWN C. DAILY 06JUN2006	Tyco Electronics Harrisburg, PA 17105-3608	
DIMENSIONS: mm		CHK S. HORST 06JUN2006	NAME POKE-IN LED CONNECTOR ASSEMBLY, THRU HOLE	
TOLERANCES UNLESS OTHERWISE SPECIFIED: 0 PLC ± 1 PLC ±0.5 2 PLC ±0.10 3 PLC ± 4 PLC ± ANGLES ±3° FINISH		APVD -	PRODUCT SPEC 108-2284	RESTRICTED TO -
MATERIAL SEE TABLE		APPLICATION SPEC 114-13194	SIZE A2	CAGE CODE 00779
		WEIGHT -	DRAWING NO 2008106	REV A2
		CUSTOMER DRAWING	SCALE 1:1	SHEET 1 OF 2

THIS DRAWING IS UNPUBLISHED. RELEASED FOR PUBLICATION 20  
 © COPYRIGHT 20 BY TYCO ELECTRONICS CORPORATION. ALL RIGHTS RESERVED.

LOC		DIST		REVISIONS			
P	LTR	DESCRIPTION	DATE	DWN	APVD		
-	-	SEE SHEET 1	-	-	-		



TAPE AND REEL PACKAGING DIAGRAM  
SCALE 2:1



DETAIL A  
SCALE 8:1

SEE DETAIL A

<small>THIS DRAWING IS A CONTROLLED DOCUMENT FOR TYCO ELECTRONICS CORPORATION          IT IS SUBJECT TO CHANGE AND THE CONTROLLING ENGINEERING ORGANIZATION          SHOULD BE CONTACTED FOR THE LATEST REVISION.</small>		DWN C. DAILY 06 JUN 2006 CHK S. HORST 06 JUN 2006 APVD -	<b>Tyco Electronics</b> Tyco Electronics Harrisburg, PA 17105-3608
DIMENSIONS: mm 	TOLERANCES UNLESS OTHERWISE SPECIFIED: 0 PLC ± 1 PLC ±0.5 2 PLC ±0.10 3 PLC ± 4 PLC ± ANGLES ±3° FINISH	PRODUCT SPEC 108-2284 APPLICATION SPEC 114-13194 WEIGHT -	NAME POKE-IN LED CONNECTOR ASSEMBLY, THRU HOLE SIZE A2 CAGE CODE 00779 DRAWING NO. C-2008106 RESTRICTED TO -
MATERIAL SEE TABLE	SEE TABLE	CUSTOMER DRAWING	SCALE 1:1 SHEET 2 OF 2 REV A2

单击下面可查看定价，库存，交付和生命周期等信息

[>>TE Connectivity\(泰科\)](#)