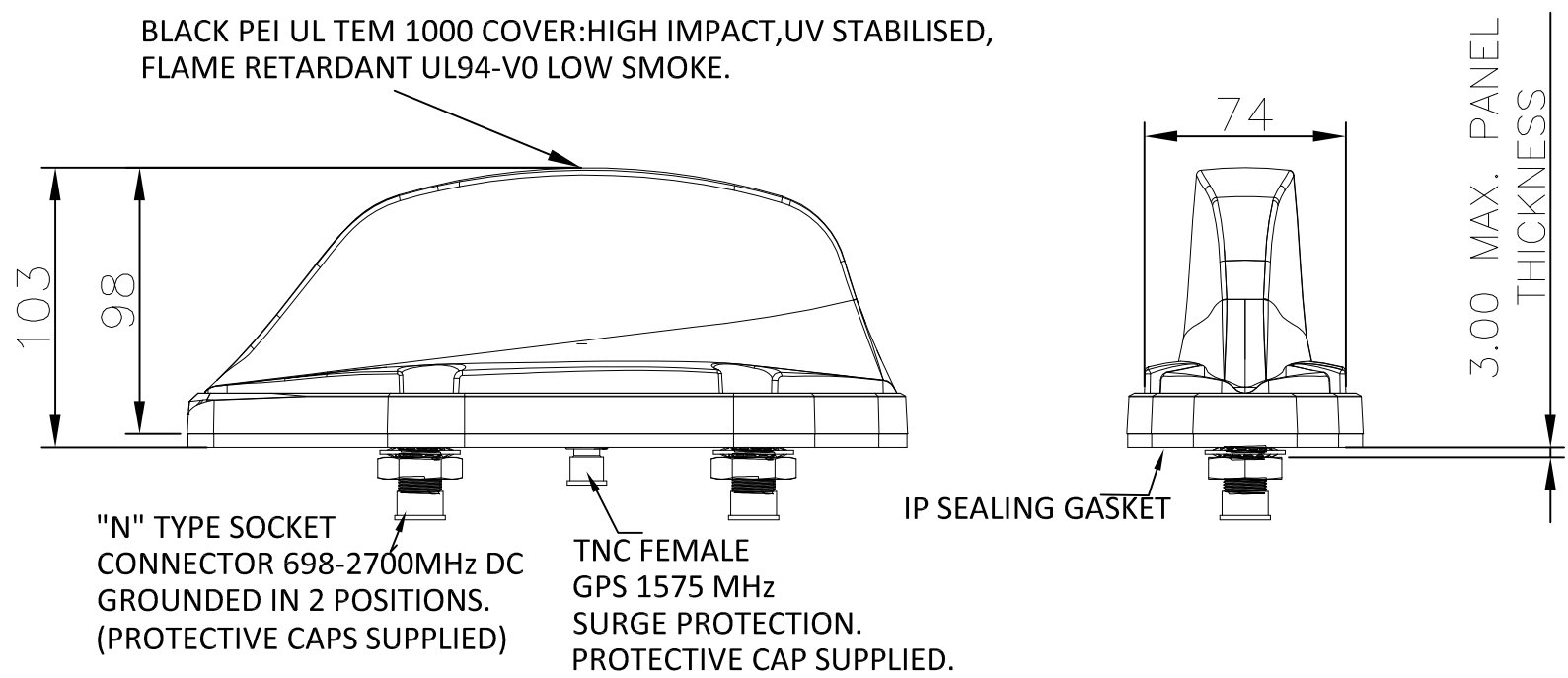


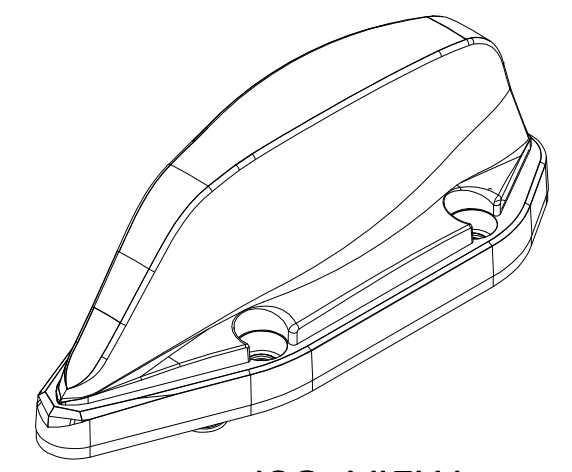
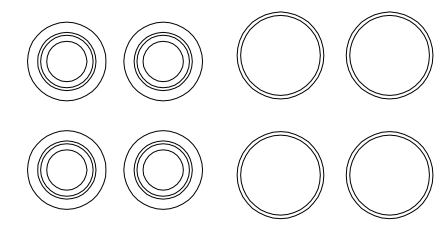
THIS DRAWING IS UNPUBLISHED. RELEASED FOR PUBLICATION FEB ,2006.  
 © COPYRIGHT 2006 By - ALL RIGHTS RESERVED.

PROJECT	PRJ-16-000905033
PART NO	1-2823592-1
HV DESC	MiMo with GPS/GNSS,2X 698-960/1710-6000 MHZ
CUSTOMER	GENERAL MARKET

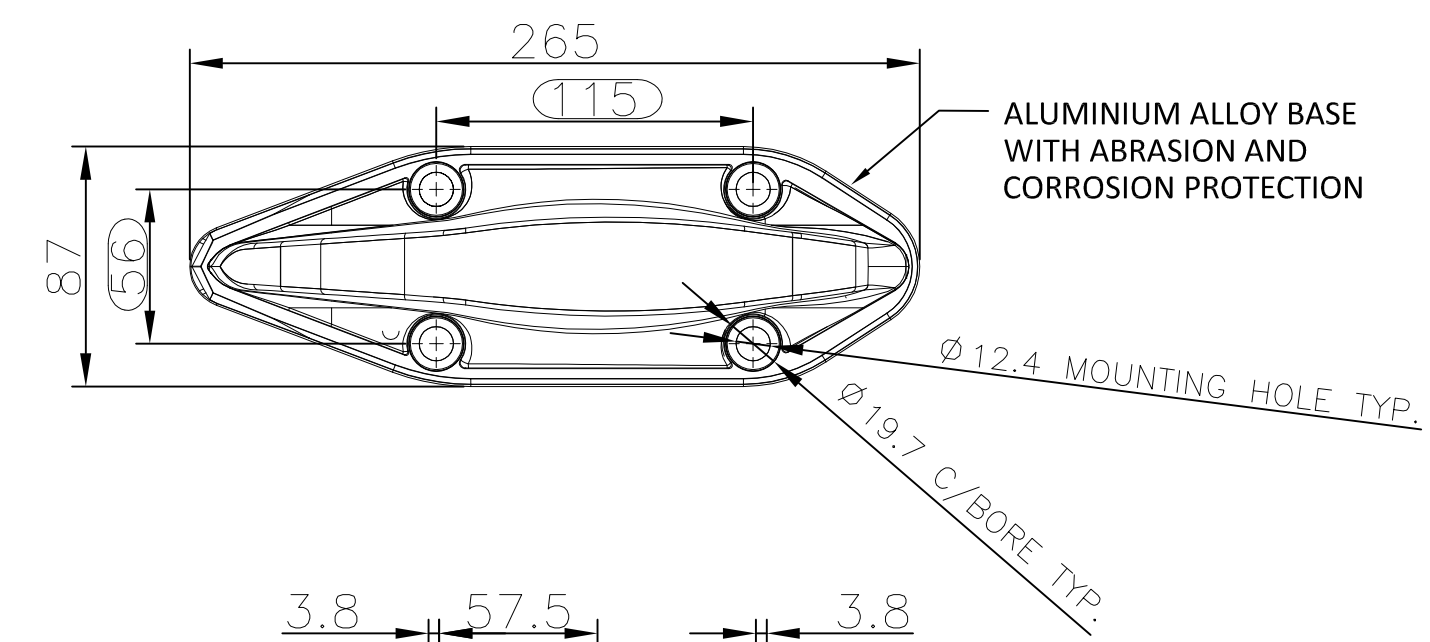
REVISIONS					
P	LTR	DESCRIPTION	DATE	DWN	APVD
	A1	ECR-16-007284	20MAY16	GG	GG



4 X M12 SEALING WASHERS AND BOLT CAPS SUPPLIED LOOSE



ISO VIEW



NOTES:

1. ALL PARTS MUST BE RoHS COMPLIANT AND MUST NOT CONTAIN ANY SUBSTANCES OF VERY HIGH CONCERN (SVHCs) LISTED UNDER REACH OR POLYAROMATIC HYDRACARBONS (PAHs) OR PERSISTENT ORGANIC POLLUTANTS (POPs) CONTROLLED BY THE STOCKHOLM CONVENTION.
2. DENOTES CRITICAL DIMENSION
3. WEIGHT 1294g(Approx)
4. FOR INSTALLATION INSTRUCTIONS,PLEASE REFER 408-156025

THIS DRAWING IS A CONTROLLED DOCUMENT.		DWN GUNA 04MAR2016	TE Connectivity		
		CHK GUNA 04MAR2016			
		APVD - 04MAR2016	NAME		
		PRODUCT SPEC -	TRANSIT ANTENNA		
		APPLICATION SPEC -	MiMo with GPS/GNSS,2X 698-960/1710-6000 MHZ		
DIMENSIONS: mm		TOLERANCES UNLESS OTHERWISE SPECIFIED:		SIZE	CAGE CODE
0 PLC ± 5		1 PLC ± -		A3	00779
2 PLC ± -		3 PLC ± -		DRAWING NO	
3 PLC ± -		4 PLC ± -		G-2823592	
ANGLES ± -		FINISH -		RESTRICTED TO	
MATERIAL -		WEIGHT -		-	
CUSTOMER DRAWING			SCALE	SHEET	REV
			NTS	1 OF 1	A1

单击下面可查看定价，库存，交付和生命周期等信息

[>>TE Connectivity\(泰科\)](#)