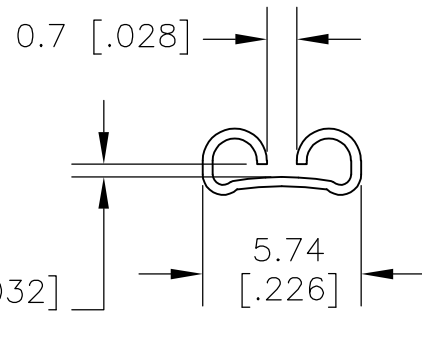
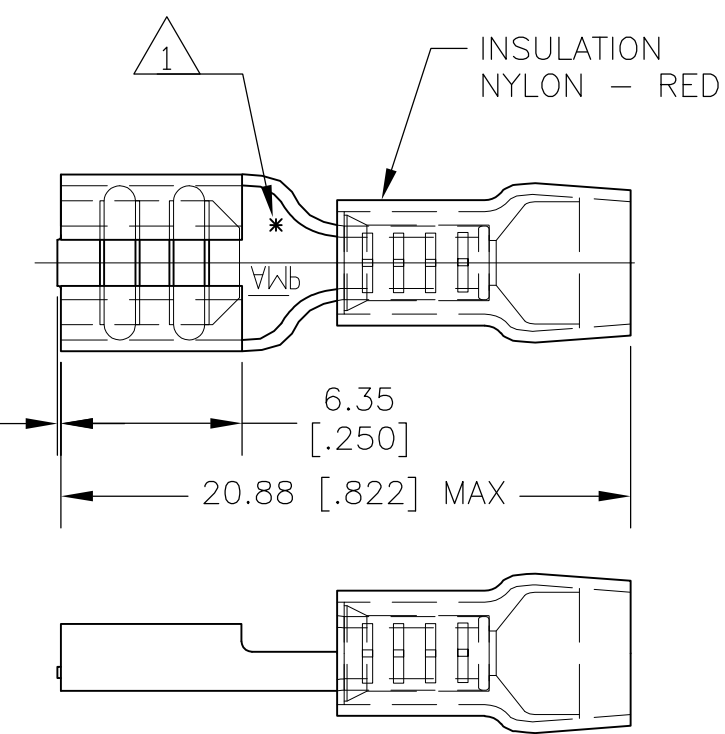


LOC	DIST	REVISIONS			
P	LTR	DESCRIPTION	DATE	DWN	APVD
G	00	J3	REVISED PER ECO-11-004917	11MAR11	RK HMR



- 1 ASTERISK * FOR PHOS BRONZE PARTS ONLY
- 2 WIRE SIZE IS 22-16 AWG
- 3 WIRE INSULATION RANGE IS 2.7-3.6mm [.105-.140] DIA

TAPES MOUNTED	TIN	PHOS BRONZE	5-160483-5
	TIN	BRASS	5-160483-1
LOOSE PIECE	GOLD	PHOS BRONZE	9-160483-7
	SILVER	PHOS BRONZE	9-160483-6
	TIN	PHOS BRONZE	9-160483-5
	GOLD	BRASS	9-160483-4
	SILVER	BRASS	9-160483-3
	TIN	BRASS	9-160483-1
PACKAGE TYPE	TERMINAL PLATING	TERMINAL MATERIAL	PART NO

THIS DRAWING IS A CONTROLLED DOCUMENT.		DWN jr ruth 07DEC07	TE Connectivity													
DIMENSIONS: MM[INCHES]		CHK T MICHELUTTI 07DEC07														
TOLERANCES UNLESS OTHERWISE SPECIFIED:		APVD T MICHELUTTI 07DEC07	NAME RECEPTACLE, PIDG, FASTON, 4.75 [.187] SERIES													
<table border="1"> <tr><td>0 PLC</td><td>± -</td></tr> <tr><td>1 PLC</td><td>± -</td></tr> <tr><td>2 PLC</td><td>± 0.20 [.008]</td></tr> <tr><td>3 PLC</td><td>± -</td></tr> <tr><td>4 PLC</td><td>± -</td></tr> <tr><td>ANGLES</td><td>± 5°</td></tr> </table>		0 PLC	± -	1 PLC	± -	2 PLC	± 0.20 [.008]	3 PLC	± -	4 PLC	± -	ANGLES	± 5°	PRODUCT SPEC -	RESTRICTED TO -	
0 PLC	± -															
1 PLC	± -															
2 PLC	± 0.20 [.008]															
3 PLC	± -															
4 PLC	± -															
ANGLES	± 5°															
MATERIAL -	FINISH -	APPLICATION SPEC -	SIZE A3	CAGE CODE 00779												
		WEIGHT -	DRAWING NO C-160483	REV J3												
CUSTOMER DRAWING			SCALE 4:1	SHEET 1 of 1												

单击下面可查看定价，库存，交付和生命周期等信息

[>>TE Connectivity\(泰科\)](#)