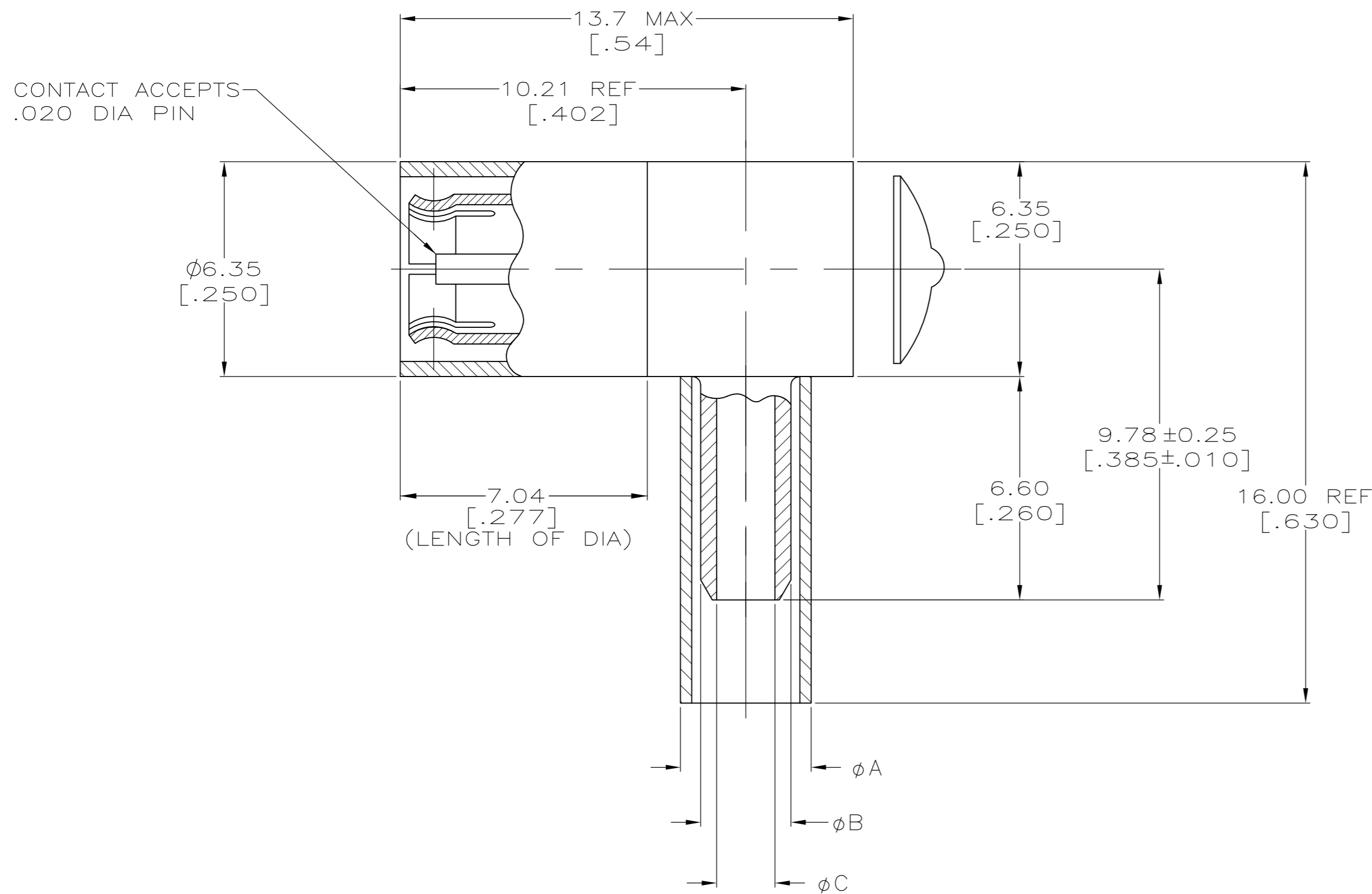
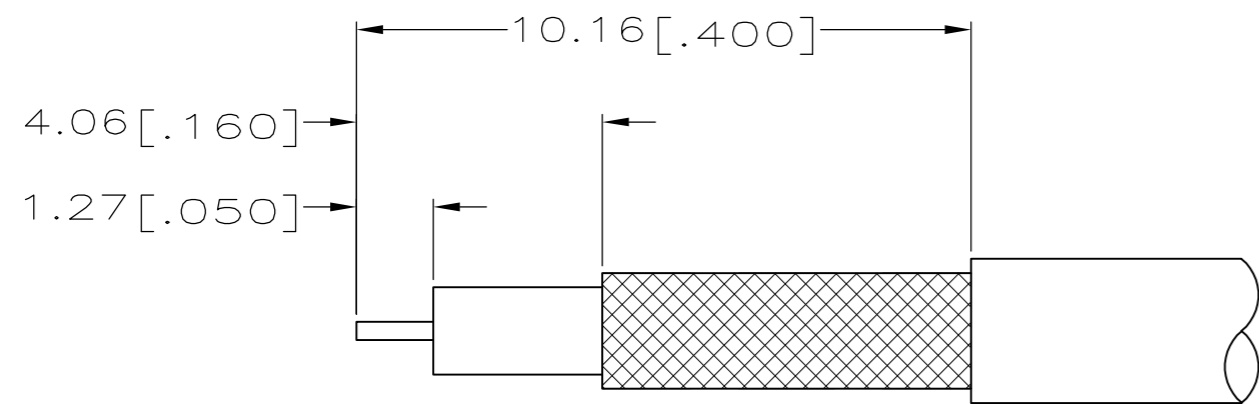


THIS DRAWING IS UNPUBLISHED. RELEASED FOR PUBLICATION
 © COPYRIGHT - By - ALL RIGHTS RESERVED.

| LOC | | DIST | | REVISIONS | | | | | |
|-----|--|------|--|-----------|-----|---------------|---------|-----|------|
| AJ | | 16 | | P | LTR | DESCRIPTION | DATE | DWN | APVD |
| | | | | A1 | | ECR-12-005726 | 27MAR12 | RK | MY |



- 1 MATERIALS:
 BODY: ZINC PER ASTM B 86.
 CENTER CONTACT: BERYLLIUM COPPER PER ASTM B 194.
 OUTER CONTACT: BERYLLIUM COPPER PER ASTM B 194.
 DIELECTRIC: PTFE PER ASTM D 1710.
- 2 FINISHES:
 BODY: NICKEL PER QQ-N-290.
 CENTER CONTACT: GOLD PER ASTM B 488.
 OUTER CONTACT: NICKEL PER QQ-N-290.
- 3 FINISHES:
 BODY: NICKEL PER QQ-N-290.
 CENTER CONTACT: GOLD PER ASTM B 488.
 OUTER CONTACT: GOLD PER ASTM B 488.
- 4. DO NOT MATE WITH MIL-C-39012 CONNECTORS.
- 5 TOOLING INFORMATION:
 BRAID CRIMP: HAND TOOL M-22520/5-01 WITH DANIELS
 DIE SET # HX4-1637 OR TE PRO-CRIMPER WITH DIE
 SET # 58483-1 (.128 HEX).
 CENTER CONTACT: SOLDERED.
- 6 FOR USE WITH RG-179/U CABLE.
- 7. SEE INSTRUCTION SHEET 408-2987-9.
- 8 FOR USE WITH RG-179 DOUBLE-BRAIDED CABLE



RECOMMENDED STRIP LENGTH

| | | | | | | |
|--------------------|--------------------|--------------------|-------|---------|--------|-------------|
| 1.73 [.068] | 2.64 [.104] | 4.55 [.179] | 8 | 5 | 3 | 5415484-3 |
| 1.73 [.068] | 2.64 [.104] | 3.86 [.152] | 6 | 5 | 3 | 5415484-2 |
| 1.73 [.068] | 2.64 [.104] | 3.86 [.152] | 6 | 5 | 2 | 5415484-1 |
| φC ±0.08 [.003] | φB ±0.05 [.002] | φA ±0.05 [.002] | CABLE | TOOLING | FINISH | PART NUMBER |

THIS DRAWING IS A CONTROLLED DOCUMENT.

| | | |
|------|------------|-----------|
| DWN | J. HAVENER | 31MAR2005 |
| CHK | J. HAVENER | 31MAR2005 |
| APVD | J. HAVENER | 31MAR2005 |

TE Connectivity

PLUG, RIGHT ANGLE,
75 OHM, MINI-SMB

| | | | | | | | |
|-------|-----|-----------|--------|------------|-----------|---------------|---|
| SIZE | A2 | CAGE CODE | 00779 | DRAWING NO | C=5415484 | RESTRICTED TO | - |
| SCALE | 8:1 | SHEET | 1 OF 1 | REV | A1 | | |

CUSTOMER DRAWING

单击下面可查看定价，库存，交付和生命周期等信息

[>>TE Connectivity\(泰科\)](#)