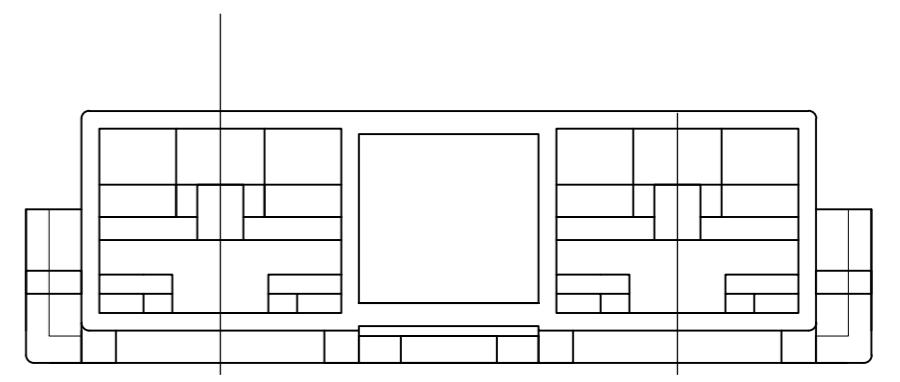
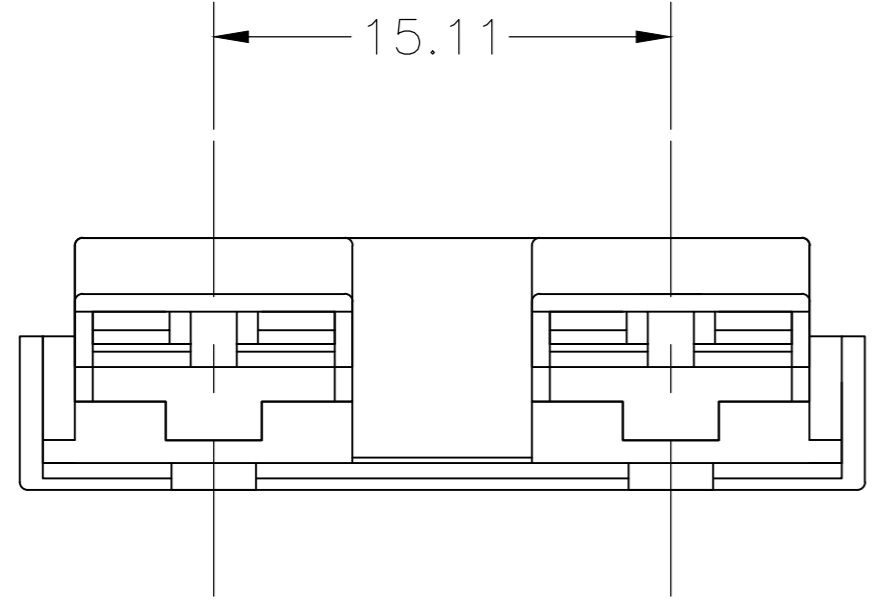
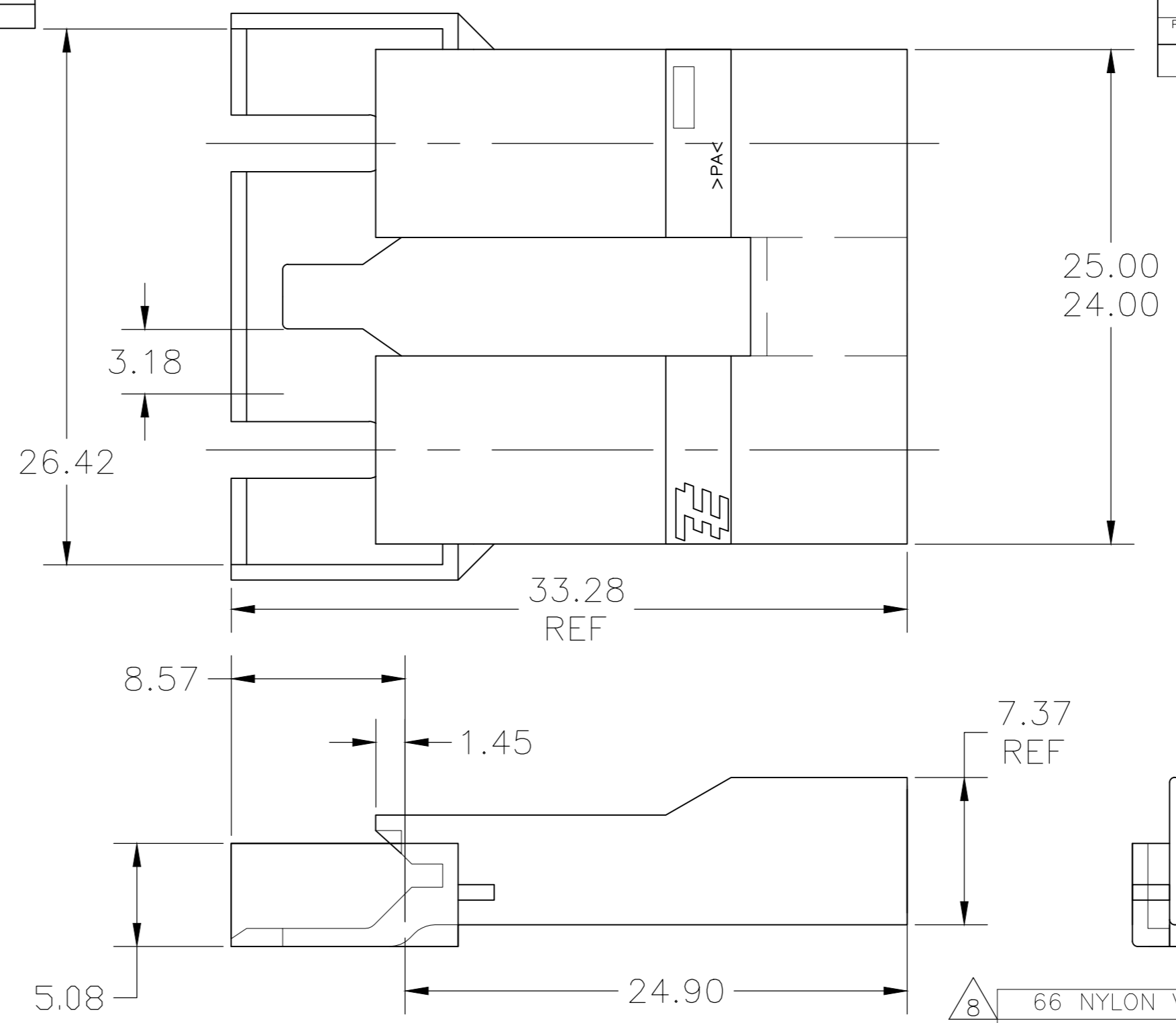


THIS DRAWING IS UNPUBLISHED. RELEASED FOR PUBLICATION  
 © COPYRIGHT - - ALL RIGHTS RESERVED.

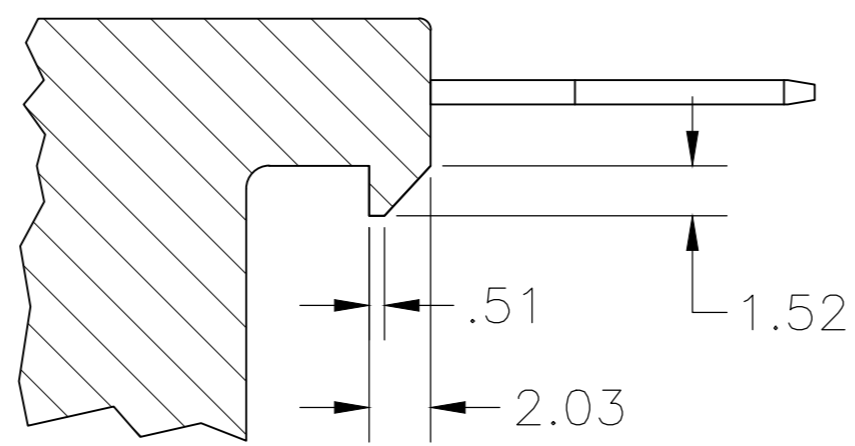
REVISIONS					
P	LTR	DESCRIPTION	DATE	DWN	APVD
T11		REVISED PER ECR-18-019942	26MAR2019	BDA	DS



SUPERSEDED BY 5-521253-1

8	66 NYLON V0 BLUE	BLUE	5-521253-1
	66 NYLON V0 NATURAL	NATURAL	4-521253-8
7	66/6 V0 RED	RED	4-521253-2
	66/6 V0 NATURAL	NATURAL	4-521253-1
	6 NYLON, V2	RED	3-521253-2
	66 NYLON V0	BLUE	3-521253-7
	6/6 NYLON, V0	PURPLE	3-521253-6
	6 NYLON, V2	NATURAL	2-521253-1
	66/6 NYLON V0	BLUE	1-521253-7
		PURPLE	1-521253-6
		YELLOW	1-521253-4
		GREEN	1-521253-3
		RED	1-521253-2
	6/6 NYLON V2	NATURAL	1-521253-1
		BLUE	521253-7
		PURPLE	521253-6
		BROWN	521253-5
		YELLOW	521253-4
		GREEN	521253-3
		RED	521253-2
		NATURAL	521253-1
	MATERIAL	FINISH/COLOR	PART NO

- 1 THIS HOUSING ACCEPTS LOW-INSERTION, PREMIER RECEPTACLE 63306, OR POSITIVE-LOCK MKIII RECEPTACLE 63854-1.
- 2 TO MAINTAIN PROPER TERMINAL INSERTION FORCE INTO HOUSING, HOUSINGS MUST BE KEPT IN THEIR MOISTURIZED CONDITION (AS RECEIVED) PRIOR TO ASSEMBLY.
- 3 MOLDED WITH GLOW-WIRE APPROVED MATERIAL
- 4 PRELIMINARY - NOT FOR PRODUCTION
- 5 OFFERED FOR CONSIDERATION IN APPLICATIONS REQUIRING 'NON-DRIP' HOUSING MATERIAL.
- 6 BLUE PARTS MAY APPEAR MEDIUM BLUE TO LIGHT BLUE TO LIGHT GRAY IN COLOR AND MAY ALSO EXHIBIT A MARBLING EFFECT
- 7 NOT FOR PRODUCTION: AGENCY APPROVAL IS PENDING.
- 8 PARTS MAY APPEAR MEDIUM COLORED TO LIGHT COLORED AND EXHIBIT A MARBLING EFFECT.



PROPOSED MATING LOCKING DESIGN

THIS DRAWING IS A CONTROLLED DOCUMENT.

DIMENSIONS: mm	TOLERANCES UNLESS OTHERWISE SPECIFIED:	DWN JR RUTH 05JAN00	 TE Connectivity
		CHK MS FEHER 05JAN00	
		APVD D BRATINA 05JAN00	
		PRODUCT SPEC	
MATERIAL SEE TABLE	FINISH -	WEIGHT -	NAME HOUSING, RECEPTACLE, FASTON OR POSITIVE-LOCK, 6.35 [.250] SERIES SIZE A2 CAGE CODE 00779 DRAWING NO C=521253 RESTRICTED TO - SCALE 4:1 SHEET 1 OF 1 REV T11

单击下面可查看定价，库存，交付和生命周期等信息

[>>TE Connectivity\(泰科\)](#)