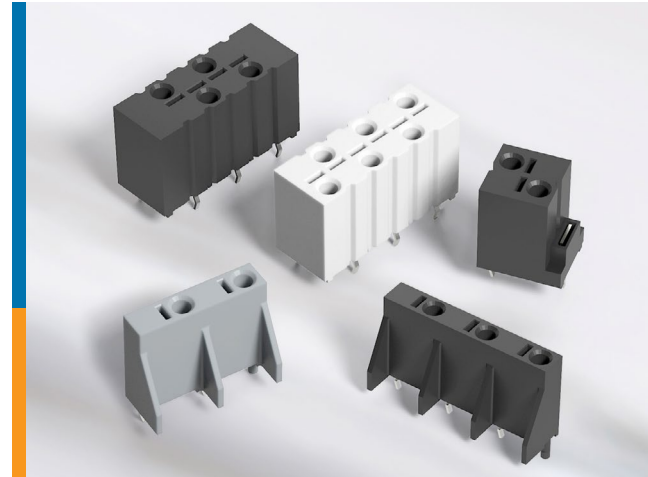


BUCHANAN WireMate CONNECTOR

Vertical Poke-In Series

TE Connectivity (TE)'s BUCHANAN WireMate vertical poke-in connector series are now available with higher 6 AMP current ratings. The product offering includes staggered 2, 4 & 6 position and 2 & 3 in-line position tray packaged assemblies. Additionally, the in-line versions are available packaged in tape and reel for automated pick and place insertion. The connectors are designed for use with printed circuit board wave solder processes in potable and non-potable applications. Designed for permanent wire to board connections within OEM assemblies, the solid conductor stripped of insulation is inserted into the connector and is securely held in place but can be removed with an extraction tool, if required.



Applications

- Lighting Ballast and LED Drivers
- Garage Door Openers
- HVAC Controls
- Security Systems
- Vending and Gaming Products

Electrical

- Current Rating: 6A (UL)
- Voltage Rating: 600 VAC Max
- Dielectric Strength: 2200 VAC

Mechanical

- Wire Retention: 5 lb. (22.25 N)
- Durability: 5 cycles
- Pitch: .138 (3.5 mm) staggered centerline
.322 (8.2 mm) in-line centerline
- -30 °C to 105 °C operating temperature

Specifications

- Application Specifications: [114-13075](#) Vertical Poke-In
[114-13223](#) In-Line Poke-In
- Product Specifications: [108-2059](#) Vertical Poke-In
[108-2059-1](#) In-Line Poke-In
- UL 1977

Materials

- Housing: UL 94 V-0 rated PBT
- Contact: Pre-tin over nickel plate copper alloy

Benefits

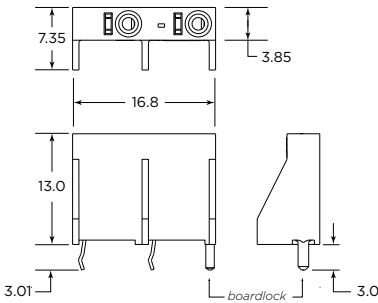
- Staggered versions terminate to industry standard 18 - 16 AWG solid wire and 18 AWG bonded wire
- In-line versions terminate to industry standard 18 AWG solid wire
- Thru-hole solder mount with retention feature integral to solder legs for PCB retention
- 2 & 4 position staggered and 2 & 3 position in-line version have secondary board locks for additional retention
- Wave soldering design eliminates the need to hand solder wire connections to printed circuit boards

Product Selection Information

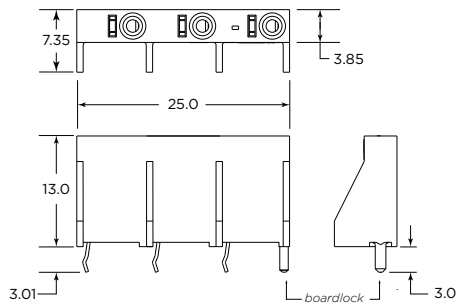
Part Number	Description
1-2213629-2	2 Position Vertical Poke-In Connector In Pocket Trays
2213629-3	3 Position Vertical Poke-In Connector In Pocket Trays
1-2008552-2	2 Position In-Line Poke-In Wire Connector
2008552-3	3 Position In-Line Poke-In Wire Connector
1811957-1	2 Position Vertical Poke-In Wire Connector with Boardlock
1811444-1	4 Position Vertical Poke-In Wire Connector
1811398-1	6 Position Vertical Poke-In Wire Connector

Dimensions

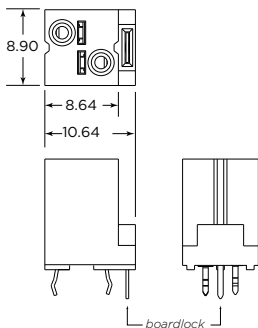
2 position in-line screwless wire connector



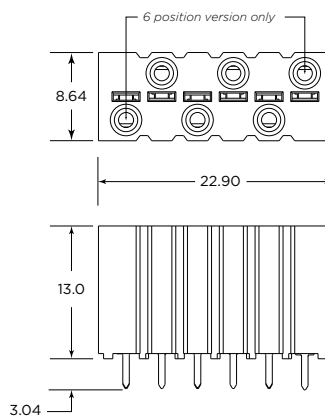
3 position in-line screwless wire connector



2 position screwless wire connector



4 & 6 position screwless wire connector



te.com

© 2018 TE Connectivity. All Rights Reserved. BUCHANAN, TE, TE Connectivity, and the TE connectivity (logo) are trademarks of the TE Connectivity Ltd. family of companies. Other logos, product and Company names mentioned herein may be trademarks of their respective owners.

While TE has made every reasonable effort to ensure the accuracy of the information in this brochure, TE does not guarantee that it is error-free, nor does TE make any other representation, warranty or guarantee that the information is accurate, correct, reliable or current. TE reserves the right to make any adjustments to the information contained herein at any time without notice. TE expressly disclaims all implied warranties regarding the information contained herein, including, but not limited to, any implied warranties of merchantability or fitness for a particular purpose. The dimensions in this catalog are for reference purposes only and are subject to change without notice. Specifications are subject to change without notice. Consult TE for the latest dimensions and design specifications.

1309170-2 JN 3/2018

USA: +1 (800) 522-6752
 Canada: +1 (905) 475-6222
 Mexico: +52 (0) 55-1106-0800
 Latin/S. America: +54 (0) 11-4733-2200
 Germany: +49 (0) 6251-133-1999
 UK: +44 (0) 800-267666
 France: +33 (0) 1-3420-8686
 The Netherlands: +31 (0) 73-6246-999
 China: +86 (0) 400-820-6015

单击下面可查看定价，库存，交付和生命周期等信息

[>>TE Connectivity\(泰科\)](#)