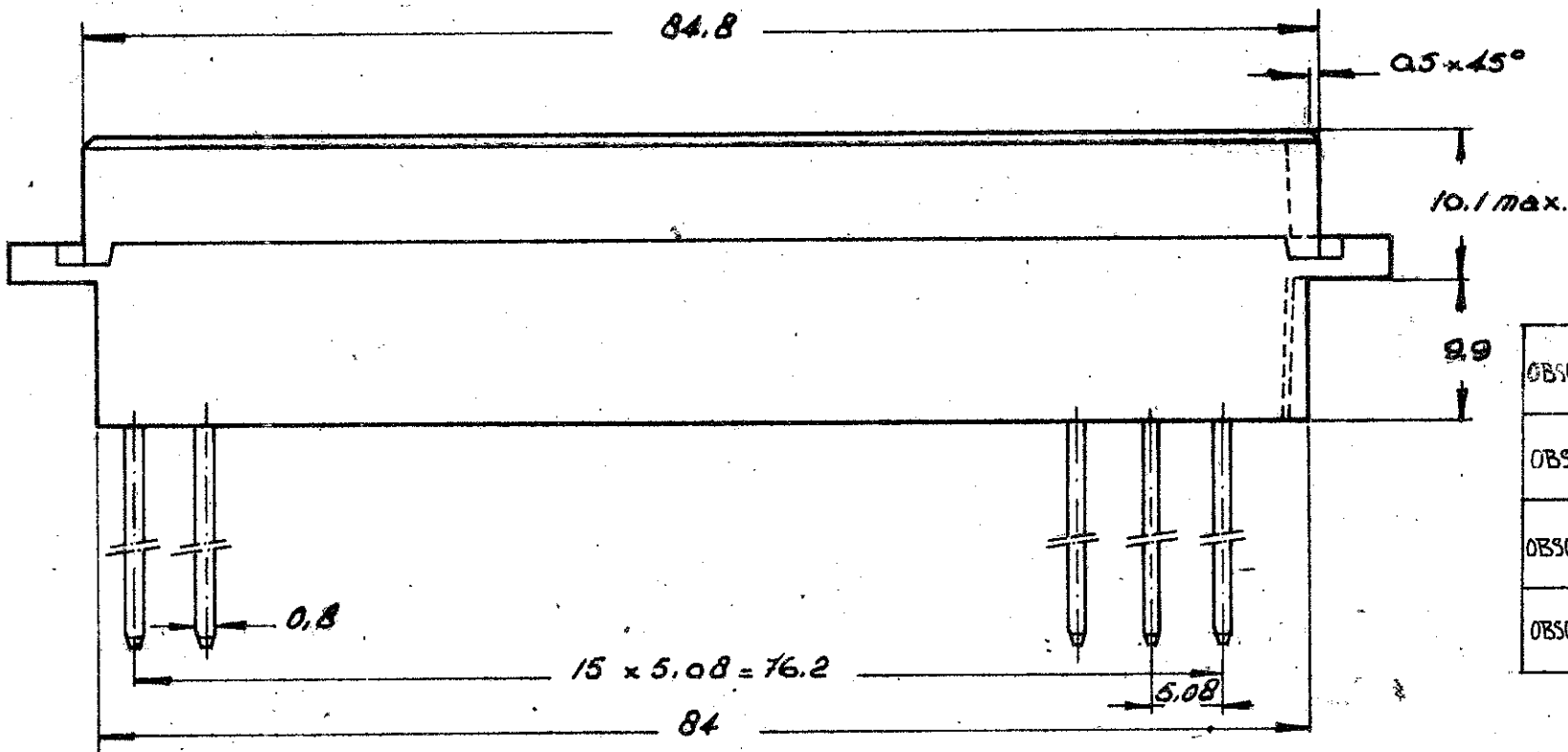
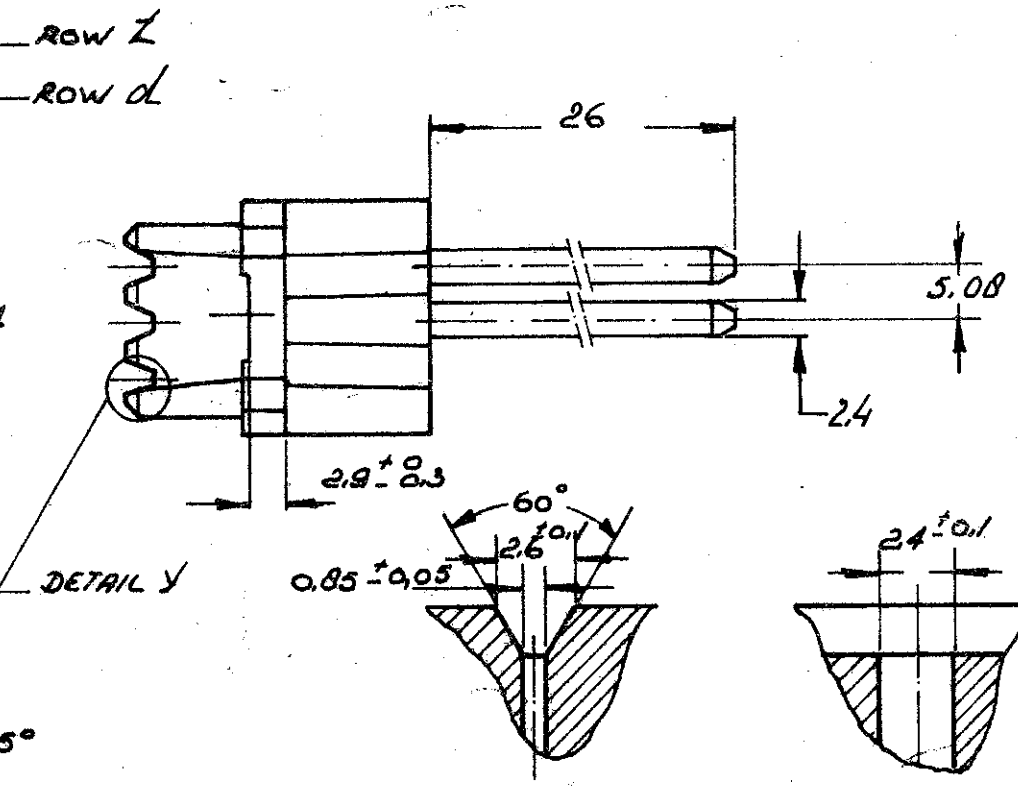
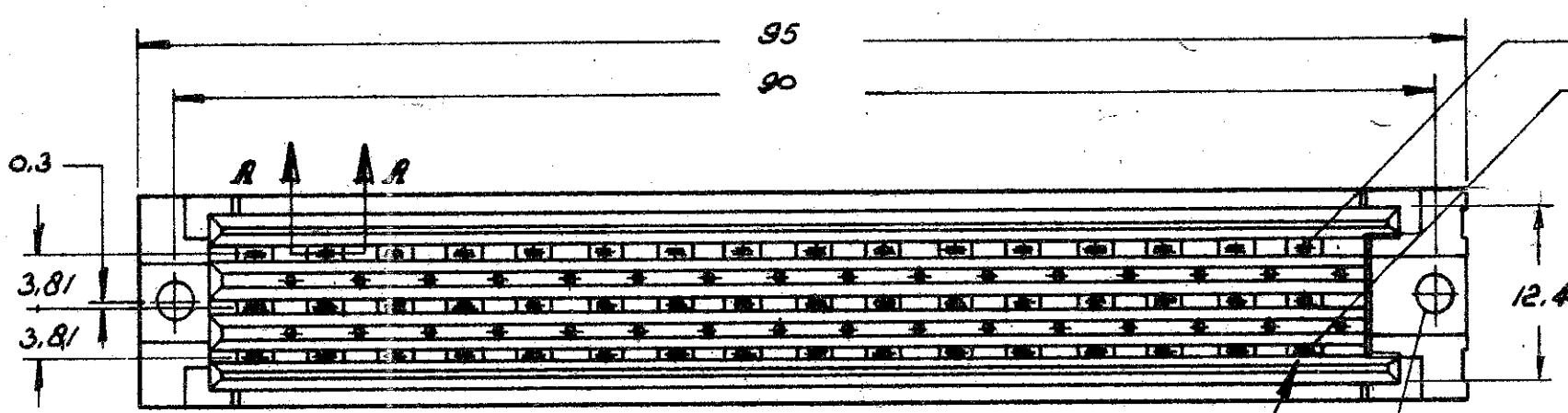


DRAWING MADE IN AMERICAN PROJECTION



OBSOLETE	2-166011-8	HOUSING: CLASSFILLED POLYCARBONATE (GREY) CONTACTS: PHOSPHORBRONZE	AT CONTACT AREA 0.4 μm ALL OVER 1.25 μm Ni. AT POST AREA GOLDFLASH OVER 1.25 μm Ni.
OBSOLETE	2-166011-7		AT CONTACT AREA 2.0 μm ALL OVER 1.25 μm Ni. AT POST AREA GOLDFLASH OVER 1.25 μm Ni.
OBSOLETE	2-166011-6		AT CONTACT AREA 3.75 μm ALL OVER 1.25 μm Ni. AT POST AREA GOLDFLASH OVER 1.25 μm Ni.
OBSOLETE	2-166011-4		AT CONTACT AREA 0.8 μm ALL OVER 1.25 μm Ni. AT POST AREA GOLDFLASH OVER 1.25 μm Ni.
	2-166011-1		AT CONTACT AREA 1.25 μm ALL OVER 1.25 μm Ni. AT POST AREA GOLDFLASH OVER 1.25 μm Ni.
	ORDER NO.	MATERIAL	PLATING

AN ASTERISK * DENOTES A CONTACT.

CONTACT NO.	1	2	3	4	5	6	7	8	9	10	11	12	13	14	15	16	17	18	19	20	21	22	23	24	25	26	27	28	29	30	
ROW Z	X	X	X	X	X	X	X	X	X	X	X	X	X	X	X	X	X	X	X	X	X	X	X	X	X	X	X	X	X	X	X
ROW b	X	X	X	X	X	X	X	X	X	X	X	X	X	X	X	X	X	X	X	X	X	X	X	X	X	X	X	X	X	X	
ROW d	

10991-7

CUSTOMER COPY FOR REFERENCE ONLY

© 1982 BY AMP-HOLLAND N.V. ALL RIGHTS RESERVED A-MP PRODUCTS COVERED BY PATENTS AND/OR PATENTS PENDING.

AMP
AMP-HOLLAND N.V.
's-Hertogenbosch

DR DATE
J. GRUNSVEN 7-12-82

CHK DATE
J. GIBBELS

DE DATE

APP DATE

WIRE-RANGE INSUL-RANGE FIRST USED

SCALE SIZE NO
B C-166011

REV D

NAME 32 POS. FEMALE AC. CMM. ALL TO DIN 41612, E32F-C1M WITH MAXI TERMIN POINT POSTS

单击下面可查看定价，库存，交付和生命周期等信息

[>>TE Connectivity\(泰科\)](#)