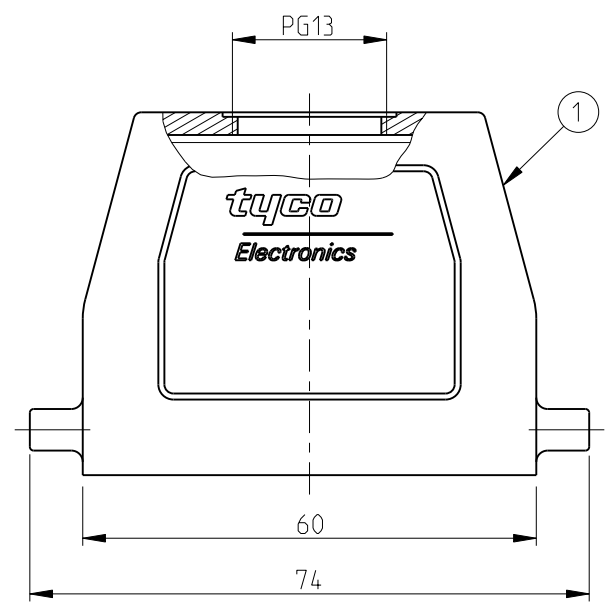


THIS DRAWING IS UNPUBLISHED. RELEASED FOR PUBLICATION 1998
 © COPYRIGHT 1998 BY TYCO ELECTRONICS CORPORATION. ALL RIGHTS RESERVED.

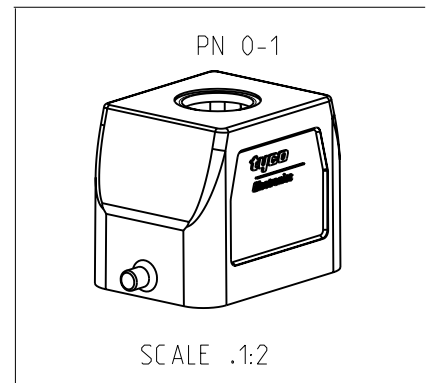
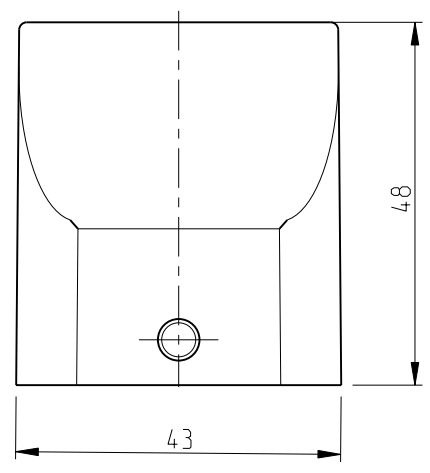
LOC	DIST	REVISIONS			
P	LTR	DESCRIPTION	DATE	DWN	APVD
A1					
	A2	Released as per ECR-07-030416	17.12.07	SP	TS

NOTE

- 1 Material: Housing: Aluminium diecasting alloy
- 2 Surface:- Powder Varnish-Grey
- 3 Varnish on the inside not necessary
- 4 Packaging
Packaging quantity: 5 pieces in a box



PN 0-1



1	DESCRIPTION	MATERIAL	SURFACE	COLOR	ITEM NO	NOTES
1	Hood.HB6.Sto	Aluminium	-	Grey	1	-
0-1	ORDERING TEXT HB.6.STO.1.13.G					

<small>THIS DRAWING IS A CONTROLLED DOCUMENT FOR TYCO ELECTRONICS CORPORATION IT IS SUBJECT TO CHANGE AND THE CONTROLLING ENGINEERING ORGANIZATION SHOULD BE CONTACTED FOR THE LATEST REVISION.</small>		DWN	Schneider	28.02.01	Tyco Electronics.AMP.GmbH D-53819.Neunkirchen.Germany
DIMENSIONS: mm		CHK	Schweiger	28.02.01	
		APVD			
TOLERANCES UNLESS OTHERWISE SPECIFIED: n-ISO 8015: n-ISO 2768-mH-E: n-DIN 16901-120		PRODUCT SPEC			
MATERIAL		APPLICATION SPEC		NAME Hood HB.6.STO.1.13.G	
FINISH		WEIGHT	SIZE		RESTRICTED TO
			A3	00779	©=1102064
		CUSTOMER DRAWING		SCALE	1:1
				SHEET	1 OF 1
				REV	A2

单击下面可查看定价，库存，交付和生命周期等信息

[>>TE Connectivity\(泰科\)](#)