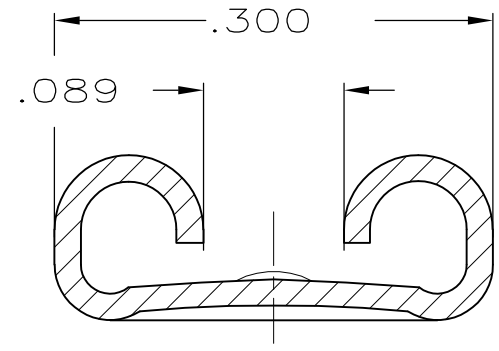
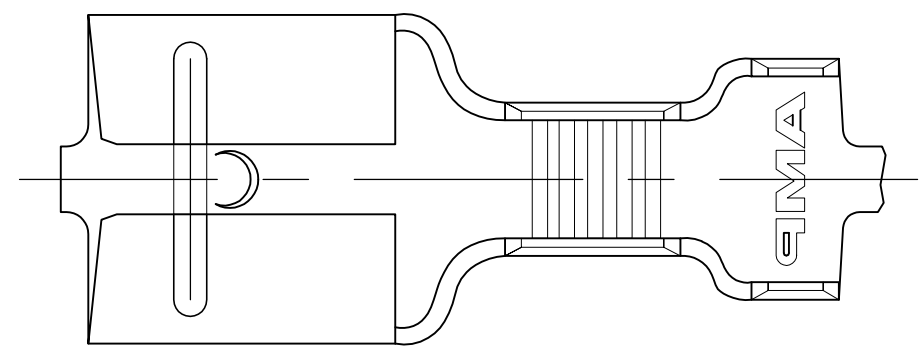


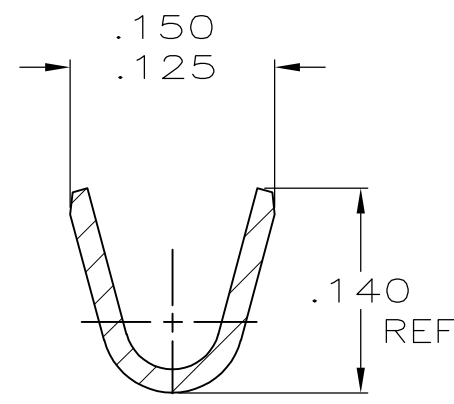
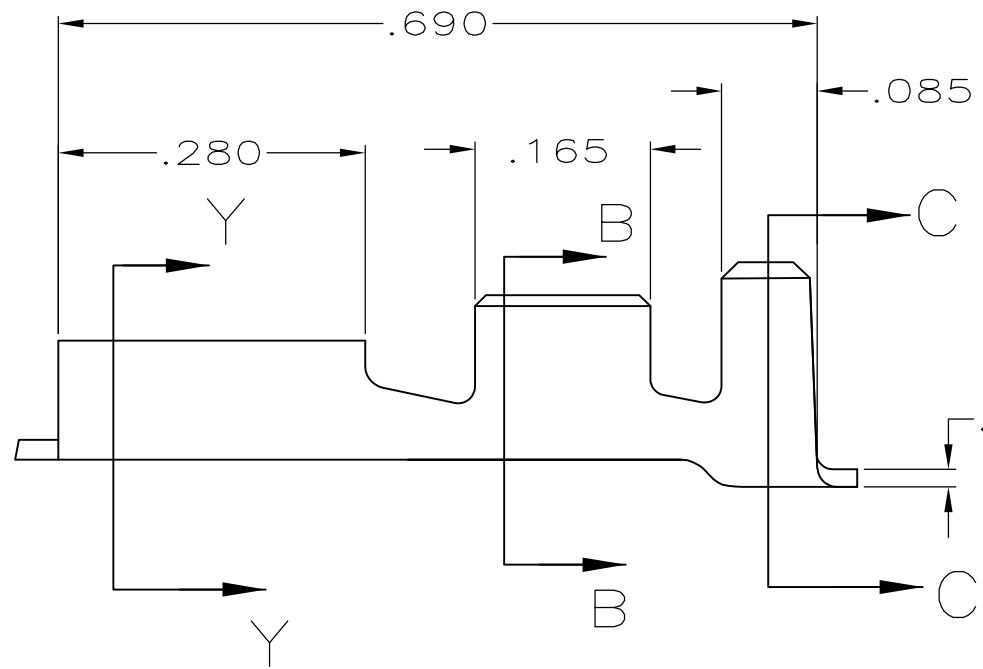
THIS DRAWING IS UNPUBLISHED. RELEASED FOR PUBLICATION
 © COPYRIGHT - By TYCO ELECTRONICS CORPORATION. ALL RIGHTS RESERVED.

LOC	DIST	REVISIONS			
P	LTR	DESCRIPTION	DATE	DWN	APVD
AF	50	C	REVISE PER ECR-13-013738	15FEB2014	GRZ JL

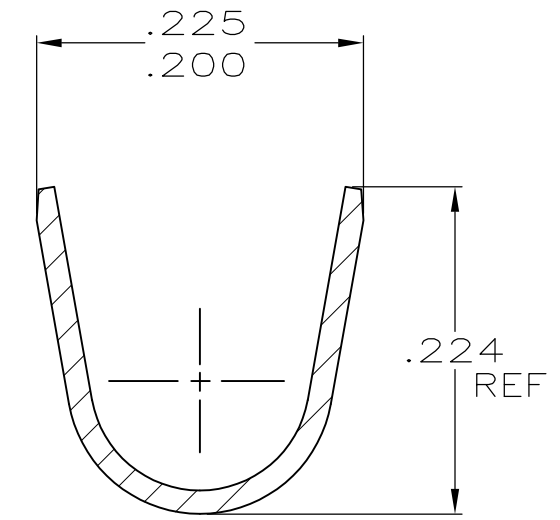


SECTION Y-Y
SCALE 8:1

- 1 CONTINUOUS STRIP ON REELS
- 2 MATING TAB THK IS $.032 \pm .001$
- 3 WIRE SIZE IS 18-14 OR TWO #19'S.
- 4 INSULATION RANGE IS $.120 - .170$ DIA.



SECTION B-B
SCALE 8:1



SECTION C-C
SCALE 8:1

1217835-1
PART NO.

THIS DRAWING IS A CONTROLLED DOCUMENT.		DWN	JR RUTH	10MAY02	STE TE Connectivity
DIMENSIONS: INCHES		CHK	P DESANTIS	10MAY02	
		APVD	P DESANTIS	10MAY02	
		PRODUCT SPEC		NAME	
TOLERANCES UNLESS OTHERWISE SPECIFIED:		APPLICATION SPEC		RESTRICTED TO	
0 PLC ± - 1 PLC ± - 2 PLC ± - 3 PLC ± .010 4 PLC ± - ANGLES ± -		WEIGHT		SIZE	A3
MATERIAL: BRASS		FINISH: -		CAGE CODE	00779
		CUSTOMER DRAWING		DRAWING NO	C-1217835
				SCALE	6:1
				SHEET	1 OF 1
				REV	C

单击下面可查看定价，库存，交付和生命周期等信息

[>>TE Connectivity\(泰科\)](#)