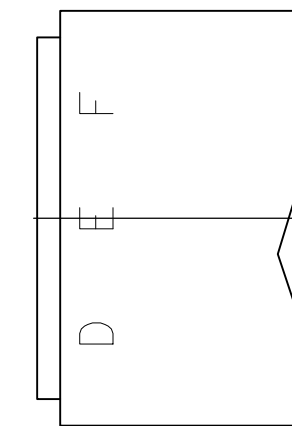
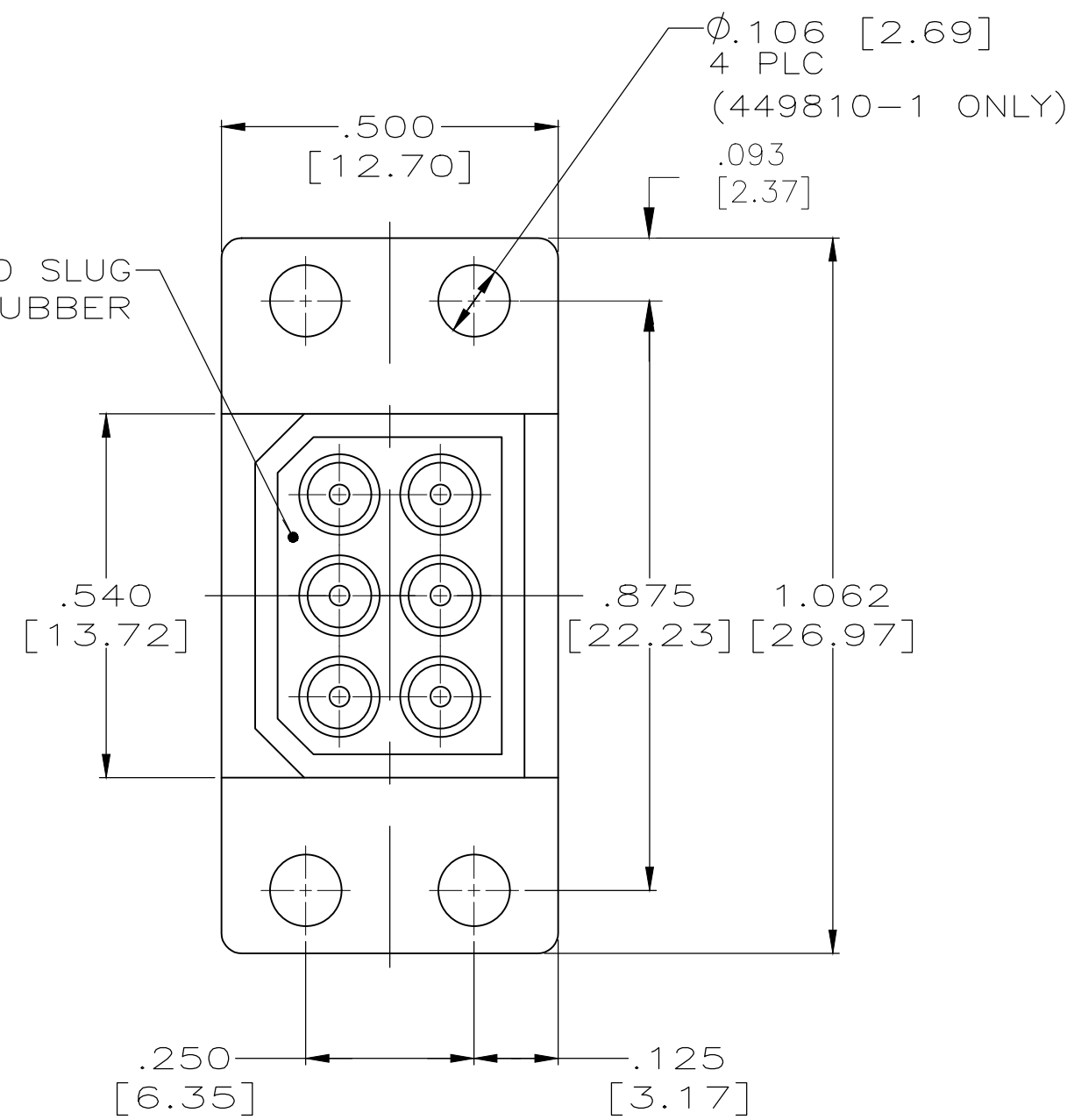
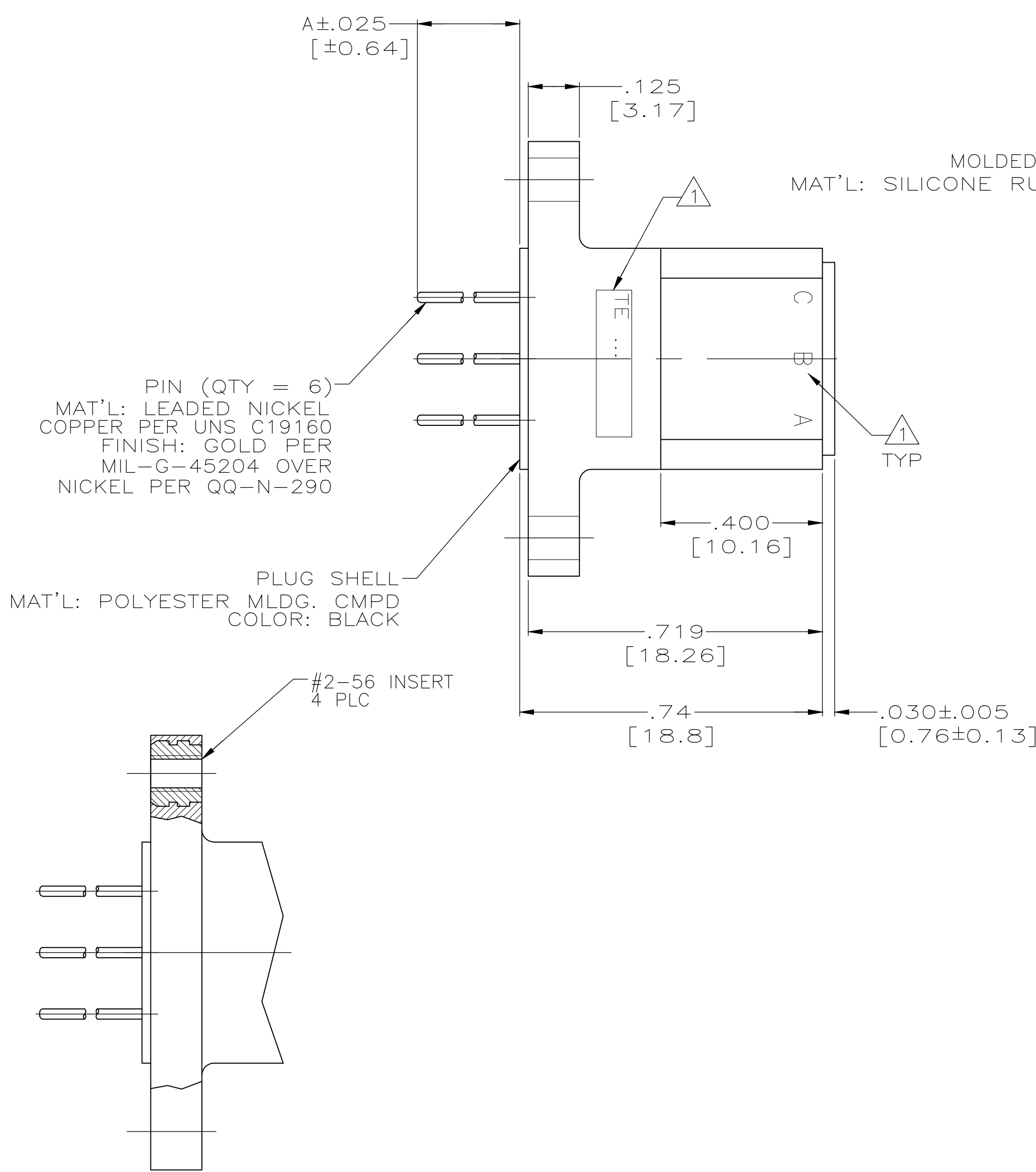


THIS DRAWING IS UNPUBLISHED. RELEASED FOR PUBLICATION
 © COPYRIGHT - By - ALL RIGHTS RESERVED.

REVISIONS				
P	LTR	DESCRIPTION	DATE	APVD
D1		REV PER ECO 18-010202	8-30-18	CT DM

⚠ CAVITY I.D. & TE INFO. MARKED PER MIL-STD-130.



-2 & -3 ONLY

.750 [19.05]	449810-3
.245 [6.22]	449810-2
.245 [6.22]	449810-1
DIM A	PART NUMBER

THIS DRAWING IS A CONTROLLED DOCUMENT.		DWN	C.C.THOMAS	10-5-93	 TE Connectivity
DIMENSIONS: INCHES		CHK	D.EABY	10-6-93	
TOLERANCES UNLESS OTHERWISE SPECIFIED:		APVD	D.EABY	10-6-93	
0 PLC ± - 1 PLC ± - 2 PLC ± .03 [0.8] 3 PLC ± .010 [0.25] 4 PLC ± - ANGLES ± -		PRODUCT SPEC	NAME		
MATERIAL SEE CALLOUTS		FINISH	SEE CALLOUTS		PLUG ASSY WITH .025 POSTS
MATERIAL SEE CALLOUTS		FINISH	SEE CALLOUTS		SIZE
MATERIAL SEE CALLOUTS		FINISH	SEE CALLOUTS		CAGE CODE
MATERIAL SEE CALLOUTS		FINISH	SEE CALLOUTS		DRAWING NO
MATERIAL SEE CALLOUTS		FINISH	SEE CALLOUTS		RESTRICTED TO
MATERIAL SEE CALLOUTS		FINISH	SEE CALLOUTS		SCALE
MATERIAL SEE CALLOUTS		FINISH	SEE CALLOUTS		SHEET
MATERIAL SEE CALLOUTS		FINISH	SEE CALLOUTS		REV
MATERIAL SEE CALLOUTS		FINISH	SEE CALLOUTS		D1

单击下面可查看定价，库存，交付和生命周期等信息

[>>TE Connectivity\(泰科\)](#)