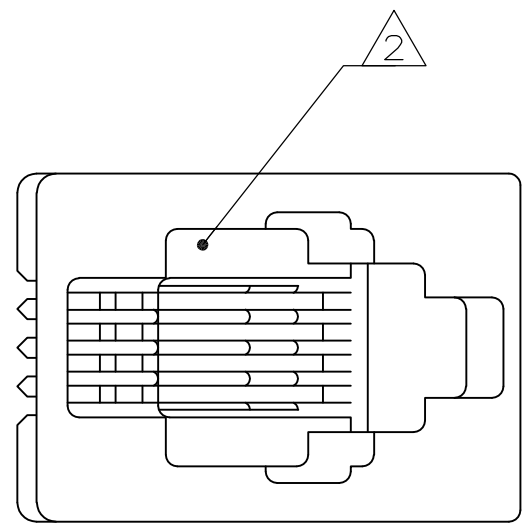


THIS DRAWING IS UNPUBLISHED. RELEASED FOR PUBLICATION  
 © COPYRIGHT BY TYCO ELECTRONICS CORPORATION. ALL RIGHTS RESERVED.

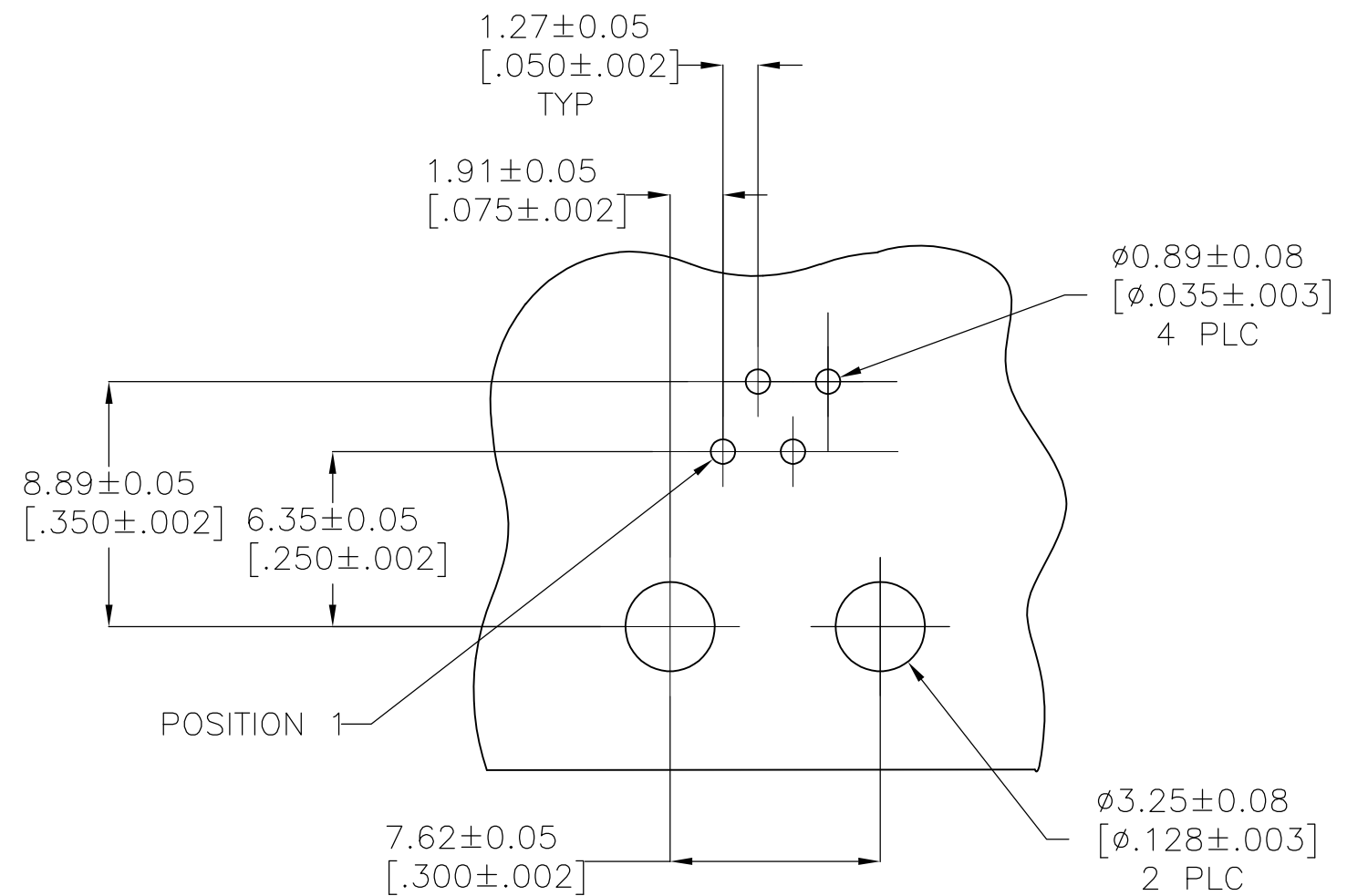
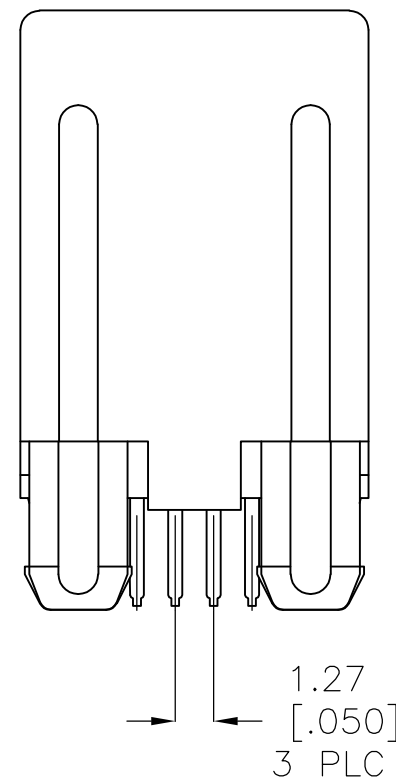
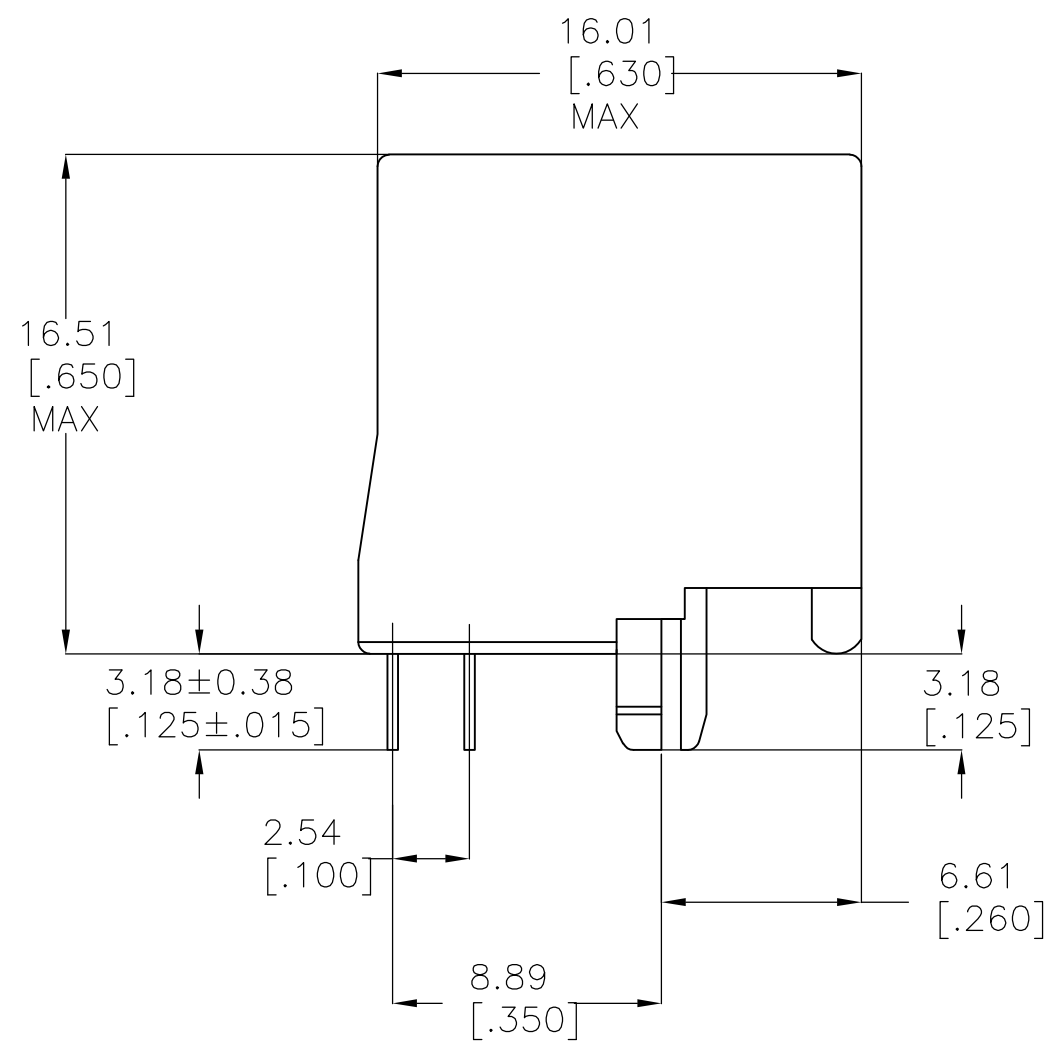
LOC	DIST	REVISIONS			
P	LTR	DESCRIPTION	DATE	DWN	APVD
AA	00	C	ECO-07-017784	13AUG07	LAM PR



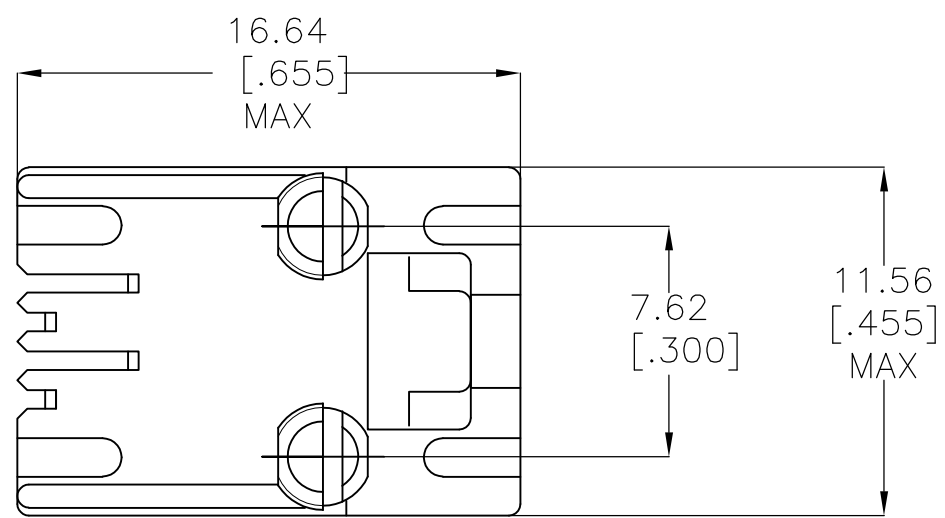
- MATERIAL: HOUSING— PBT POLYESTER, COLOR: BLACK  
 TERMINAL — 0.36[.014] THICK PHOS BRONZE MATERIAL  
 PLATED WITH 1.27 $\mu$ m[.000050] MIN THICK HARD  
 GOLD IN LOCALIZED GOLD PLATE AREA, 3.81m[.000150] MIN  
 THICK MATTE TIN IN SOLDER AREA OVER 1.27 $\mu$ m[.000050]  
 MIN THICK NICKEL UNDERPLATE

△2 CAVITY CONFORMS TO FCC RULES AND  
 REGULATIONS PART 68 AND REA BULLETIN  
 345-81, PE-76 SPECIFICATION FOR  
 MODULAR TELEPHONE HARDWARE.

△3 BULK PACKAGED IN A TRAY.



SUGGESTED PRINTED CIRCUIT BOARD  
 LAYOUT  
 COMPONENT SIDE



△3	5558872-1
PACKAGED	PART NUMBER

THIS DRAWING IS A CONTROLLED DOCUMENT.		DWN R.GRZYBOWSKI 04MAY05	Tyco Electronics Corporation Harrisburg, PA 17105-3608	
DIMENSIONS: mm [INCHES]		CHK STEVE FLICKINGER 05MAY05	NAME	
TOLERANCES UNLESS OTHERWISE SPECIFIED:		APVD STEVE FLICKINGER 05MAY05	PRODUCT SPEC	
0 PLC ± -		108-1163		
1 PLC ± -		APPLICATION SPEC		
2 PLC ± 0.13[.005]		114-2048		
3 PLC ± -		SIZE		
4 PLC ± -		CAGE CODE		
ANGLES ± -		DRAWING NO		
FINISH		RESTRICTED TO		
SEE NOTE 1		A2 00779 C=5558872		
SEE NOTE 1		SCALE 4:1 SHEET 1 OF 1 REV C		
MATERIAL		CUSTOMER DRAWING		

单击下面可查看定价，库存，交付和生命周期等信息

[>>TE Connectivity\(泰科\)](#)