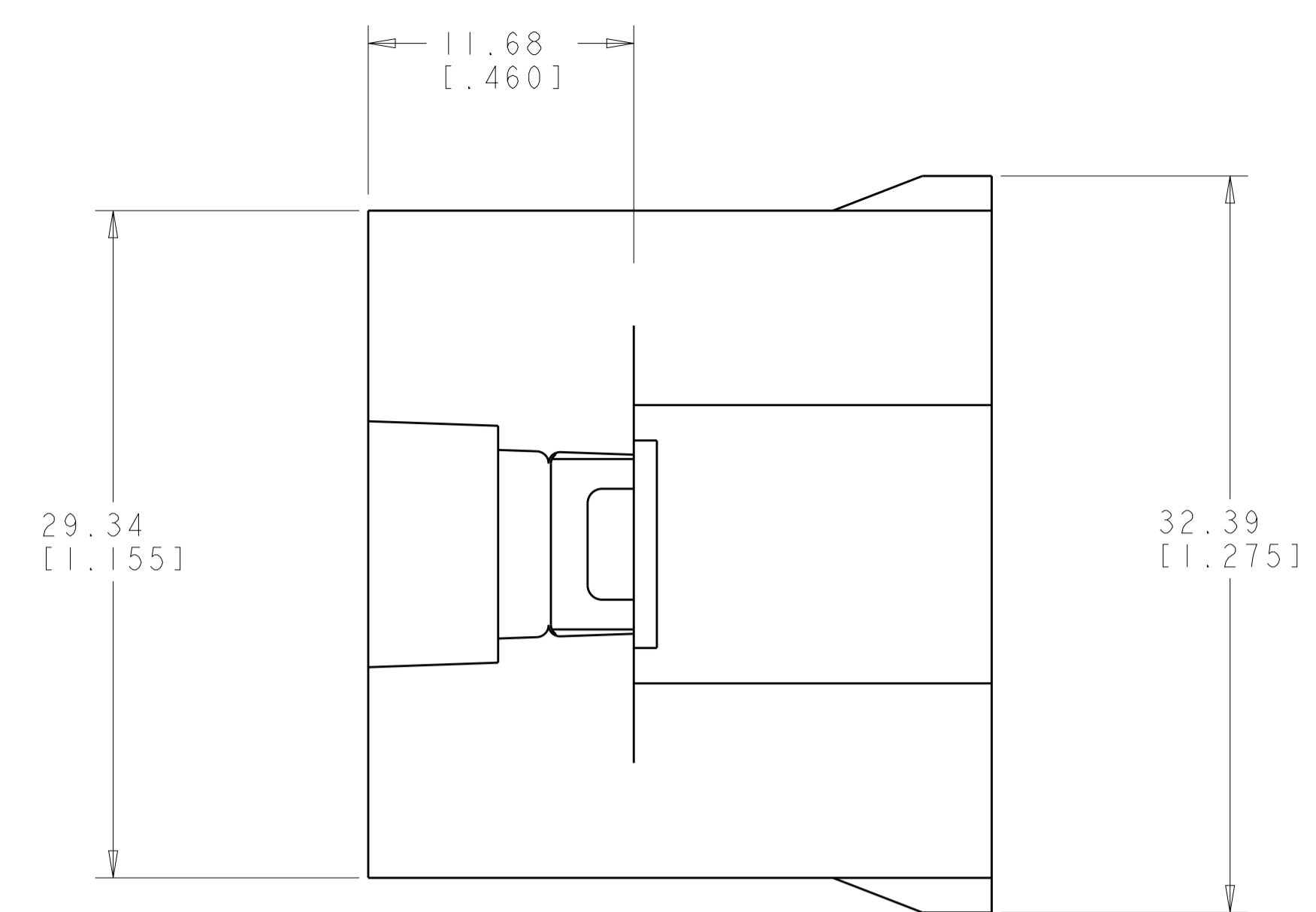
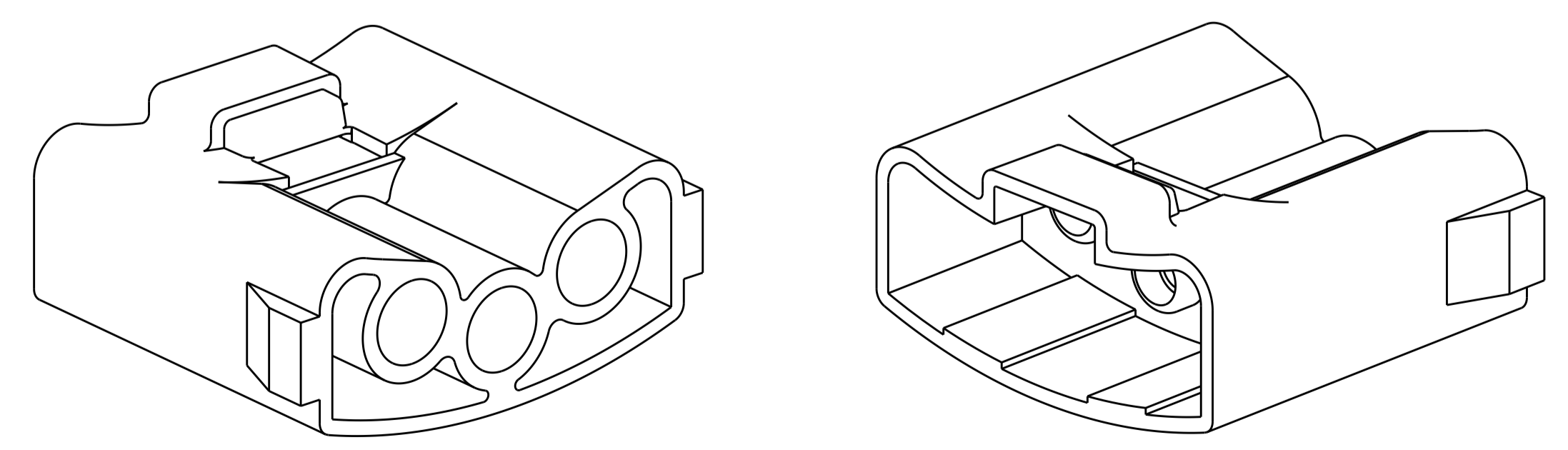
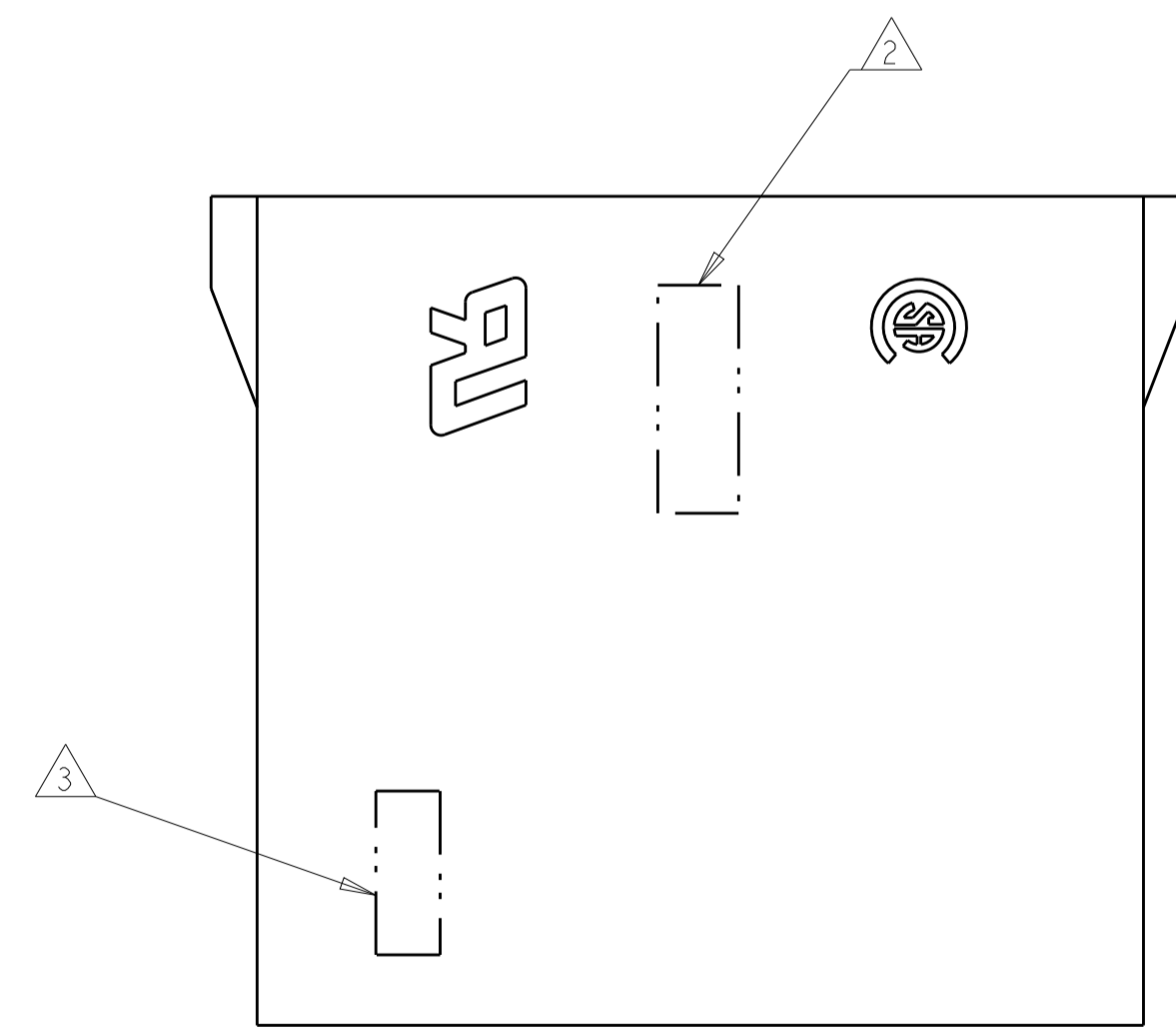
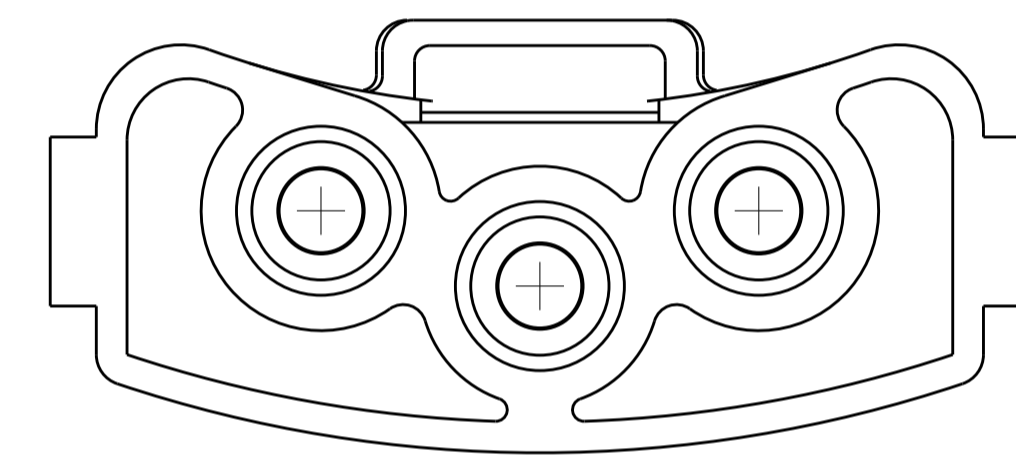
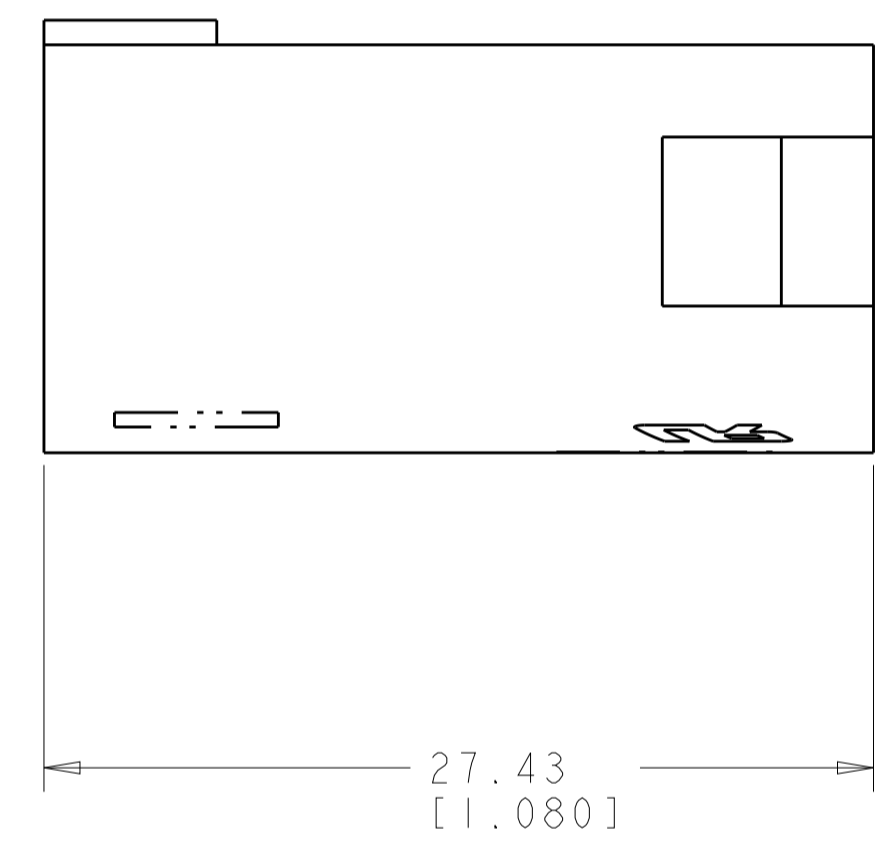
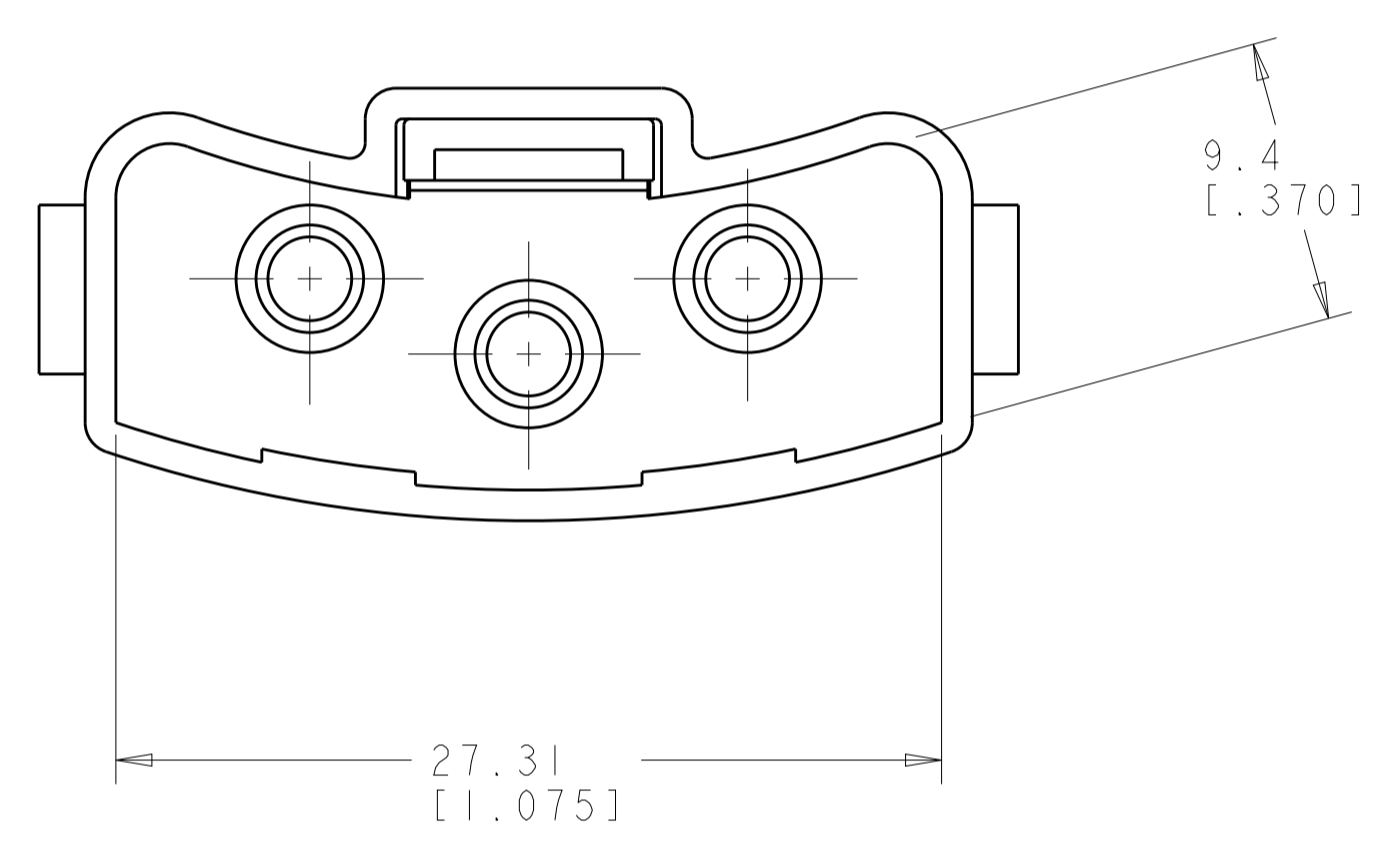


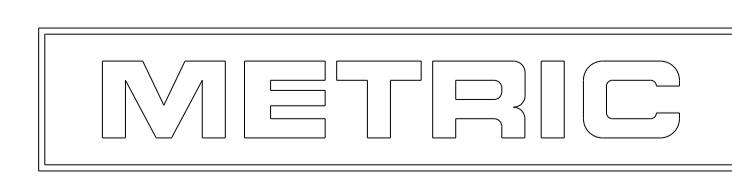
LOC	DIST	REVISIONS					
CM	00	P	LTN	DESCRIPTION	DATE	DWN	APVD
		D2		REVISED PER ECO-17-011927	22AUG2017	RS	KR



- THE DIMENSIONS OF THIS CONNECTOR ARE CONTROLLED BY THE MATING PART 770855. BOTH CONNECTOR'S DIMENSIONING ARE BASED ON A FAN MOTOR MANUFACTURED BY G.E. MOTORS. NO DIMENSIONAL CHANGES ON EITHER PART MAY OCCUR WITHOUT CONSULTING G.E. MOTORS.
- TRADEMARK LOCATION (AMP OR TYCO).
- MANUFACTURING LOCATION ID (OPTIONAL).
- DIMENSIONS SHOWN REPRESENT PRODUCT IN DRY, AS MOLDED CONDITION ADDITIONAL 2% GROWTH DUE TO SUBSEQUENT MOISTURE ABSORPTION MAY OCCUR AND SHOULD BE ACCOUNTED FOR.



3 DIMENSIONAL VIEW  
SCALE 3:1



794099-1  
PART NUMBER

<small>THIS DRAWING IS UNPUBLISHED. RELEASED FOR PUBLICATION. IT IS THE POLICY OF TYCO ELECTRONICS CORPORATION TO CONTROL THE DISTRIBUTION OF THIS DRAWING TO THE EXTENT NECESSARY TO PROTECT THE COMPANY'S INTERESTS. IT IS THE POLICY OF TYCO ELECTRONICS CORPORATION TO CONTROL THE DISTRIBUTION OF THIS DRAWING TO THE EXTENT NECESSARY TO PROTECT THE COMPANY'S INTERESTS.</small>		DWN: R. WHITAKER 06DEC2001 CHK: S. RIDGILL 06DEC2001 APVD: S. RIDGILL 06DEC2001	<b>tyco</b> Electronics Tyco Electronics Harrisburg, PA 17105-3608
DIMENSIONS: mm [ INCHES ]	TOLERANCES UNLESS OTHERWISE SPECIFIED: 0 PLC ± 1 PLC ± 2 PLC ±0.13 [ 0.005 ] 3 PLC ± 4 PLC ± ANGLES ±40° 30'	NAME: HOUSING, 3 POSITION, FAN MOTOR CONNECTOR MATE, UNIVERSAL MATE-N-LOK(TM) PRODUCT SPEC: APPLICATION SPEC:	SIZE: A CAGE CODE: 00779 DRAWING NO: 794099 RESTRICTED TO:
MATERIAL: NYLON UL94V-2, NATURAL	FINISH:	WEIGHT:	CUSTOMER DRAWING SCALE: 4:1 SHEET 1 OF 1 REV: D2

单击下面可查看定价，库存，交付和生命周期等信息

[>>TE Connectivity\(泰科\)](#)