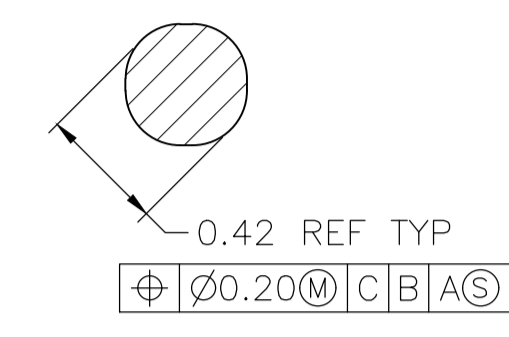
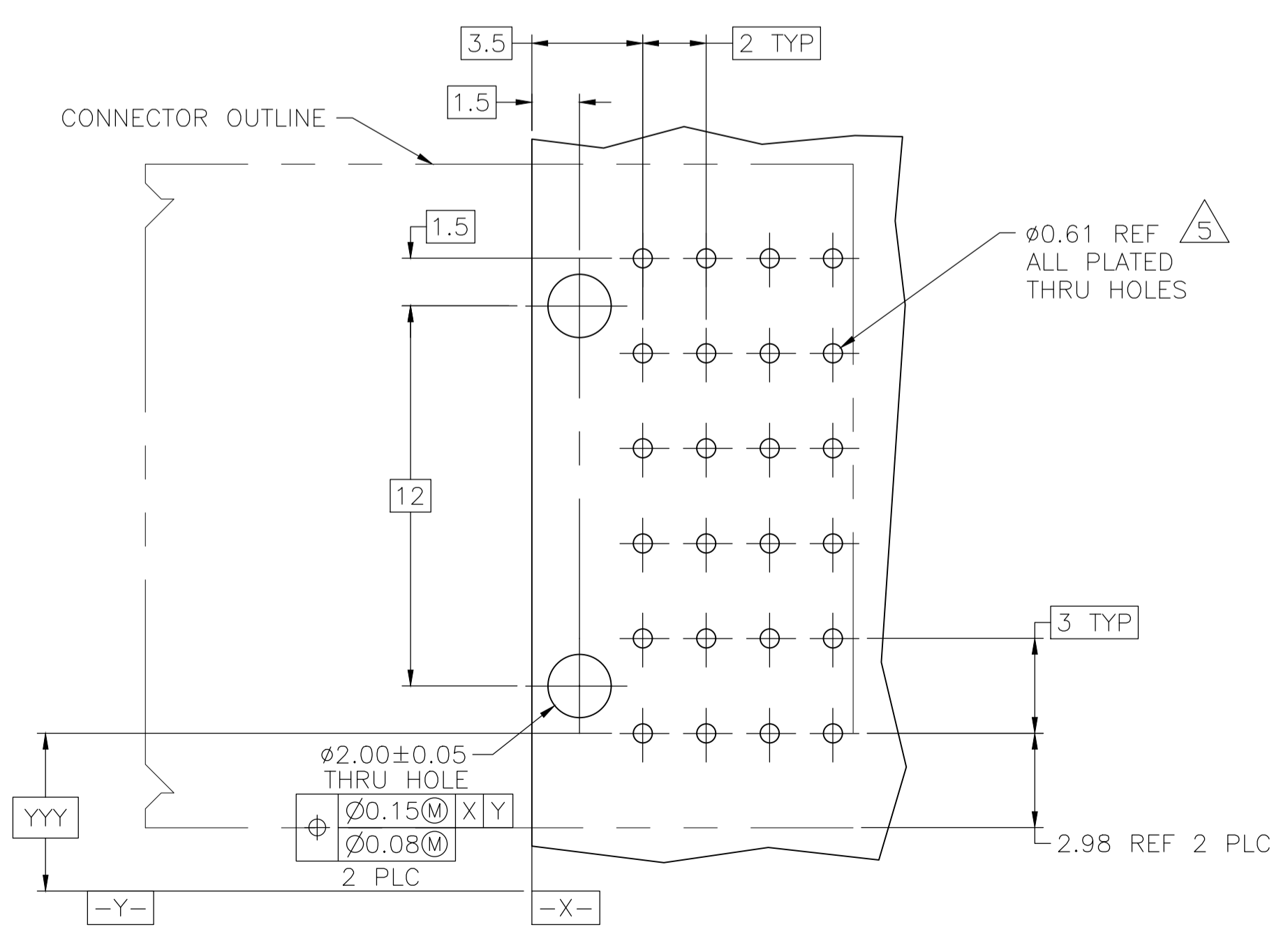
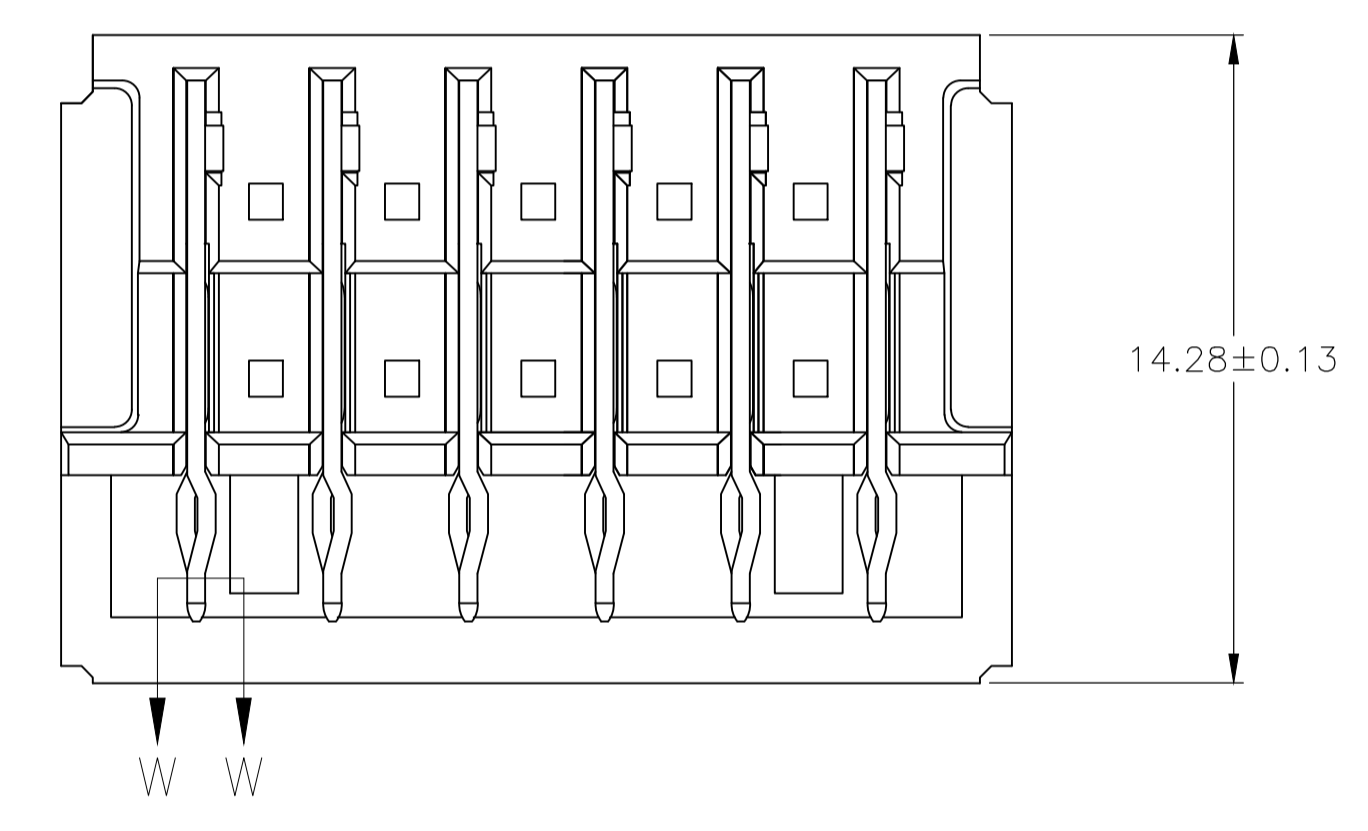
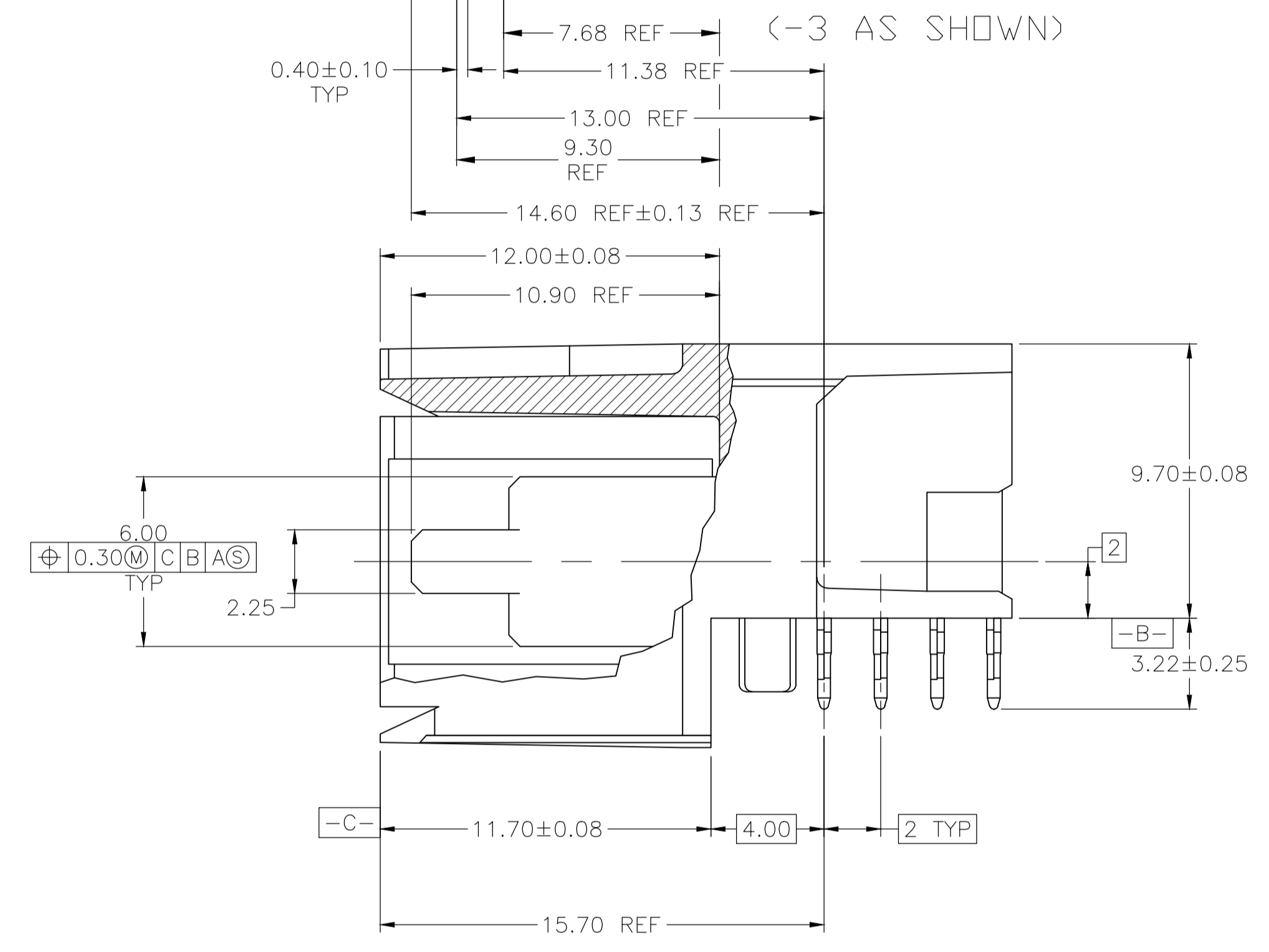
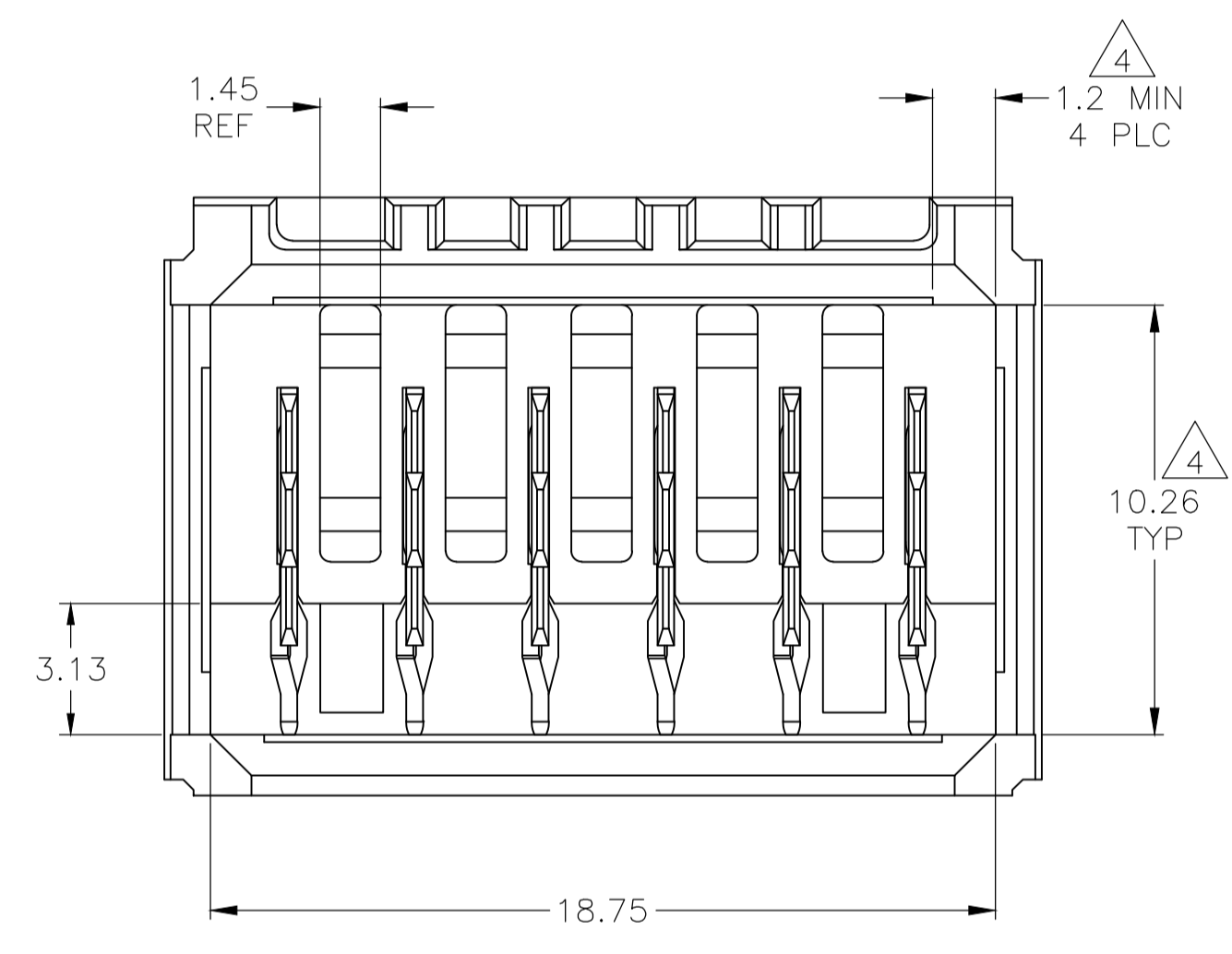


- 1 MATERIAL: HOUSING: POLYESTER. COLOR: GRAY. UL 94V-0. CONTACT: COPPER ALLOY.
- 2 FINISH: IN ACCORDANCE WITH PRODUCT SPECIFICATION 108-1651, GOLD PLATING OR EQUIVALENT PLATING ON PRODUCT CONTACT MATING AREA, AND MATTE TIN PLATING ON COMPLIANT PIN AREA, ALL OVER MATTE NICKEL UNDERPLATED. DETAIL PLEASE REFER TO PRODUCT SPECIFICATION 108-1651.
- 3 FINISH: CONTACT LUBRICATION WITH BELLCORE APPROVED LUBRICANT. TECHNICAL REFERENCE: GR-1217-CORE, ISSUE 1, NOVEMBER 1995.
- 4 THE 10.26±0.13 DIMENSION APPLIES IN THIS AREA.
- 5 REFERENCE APPLICATION SPEC 114-1103 FOR RECOMMENDED PLATED THRU HOLE DIAMETER AND PLATING THICKNESS.
- 6. CURRENT RATING 10A/CONTACT PER PRODUCT SPEC 108-1651.



SECTION W-W  
SCALE 40:1



RECOMMENDED PCB HOLE LAYOUT

DELETED

REV	DESCRIPTION	DATE	DWN	APVD
E5	REV PER ECO-20-004668	10JUN2020	ML	SZ

REV	DESCRIPTION	DATE	DWN	APVD	
2	D,E,F	-	A,B,C	6	5646956-7
3	-	A,B,C,D	E,F	6	5646956-6
4	A,B	D,E,F	C	6	5646956-5
5	A,D,E,F	B	C	6	5646956-4
6	A,B	C,D	E,F	6	5646956-3
7	A,F	B,C,D,E	-	6	5646956-2
8	A,B,C,D,E,F	-	-	6	5646956-1

FINISH	POSITIONS LOADED WITH 10.90 CONTACTS (2)	POSITIONS LOADED WITH 9.30 CONTACTS (3)	POSITIONS LOADED WITH 7.68 CONTACTS (4)	NO OF LOADED POSITIONS	PART NUMBER

THIS DRAWING IS A CONTROLLED DOCUMENT.		DIN B CARBO 04JAN05		TE Connectivity	
DIMENSIONS: mm		TOLERANCES UNLESS OTHERWISE SPECIFIED:		NAME: R PATTERSON 04JAN05	
0 PLC ± -		1 PLC ± ±		PRODUCT SPEC: 108-1651	
1 PLC ± ±		2 PLC ± ± 0.13		APPLICATION SPEC: 114-1103	
2 PLC ± ±		3 PLC ± ±		SIZE: A1	
3 PLC ± ±		4 PLC ± ±		CAGE CODE: 00779	
4 PLC ± ±		ANGLES ± ±		DRAWING NO: 5646956	
MATERIAL: 1		FINISH: 2		WEIGHT: -	
CUSTOMER DRAWING		SCALE: 6:1		SHEET: 1 of 1	
				REV: E5	

单击下面可查看定价，库存，交付和生命周期等信息

[>>TE Connectivity\(泰科\)](#)