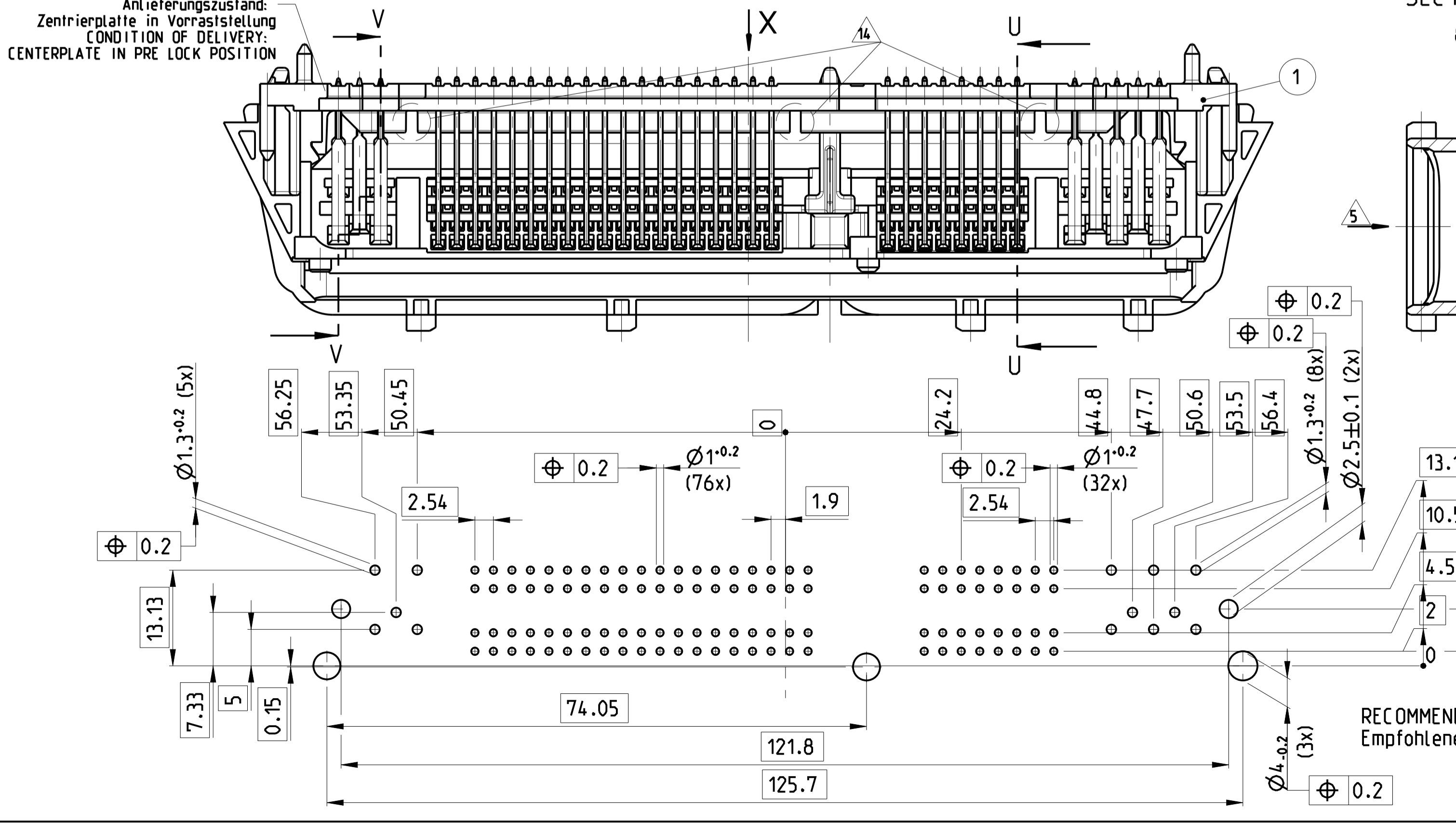
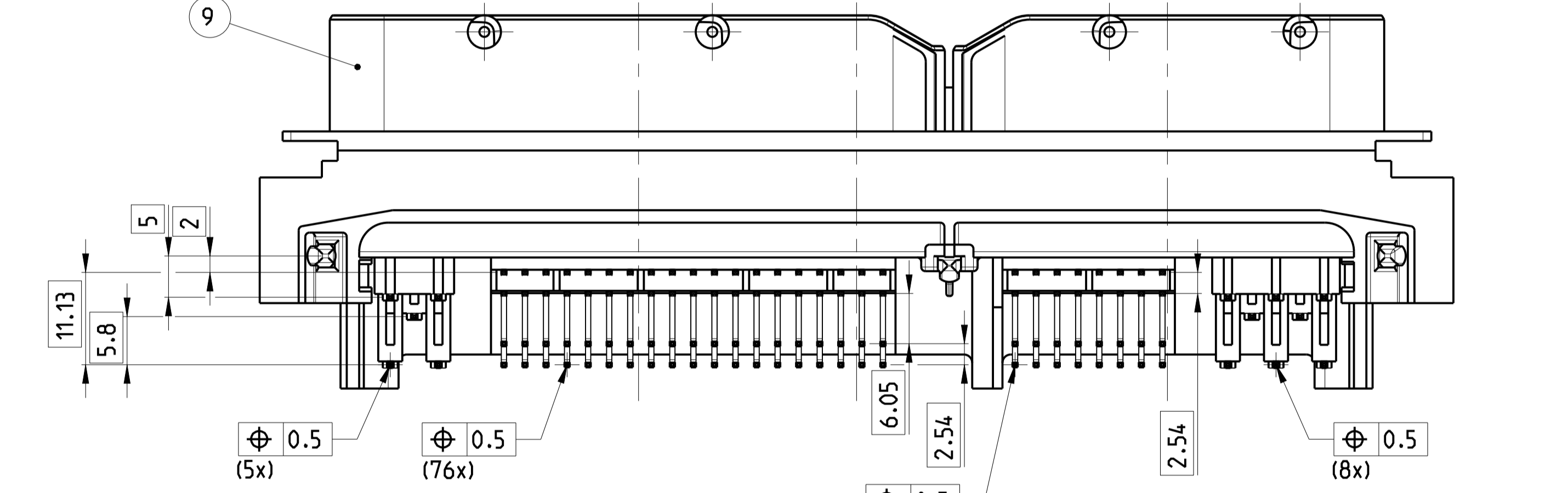
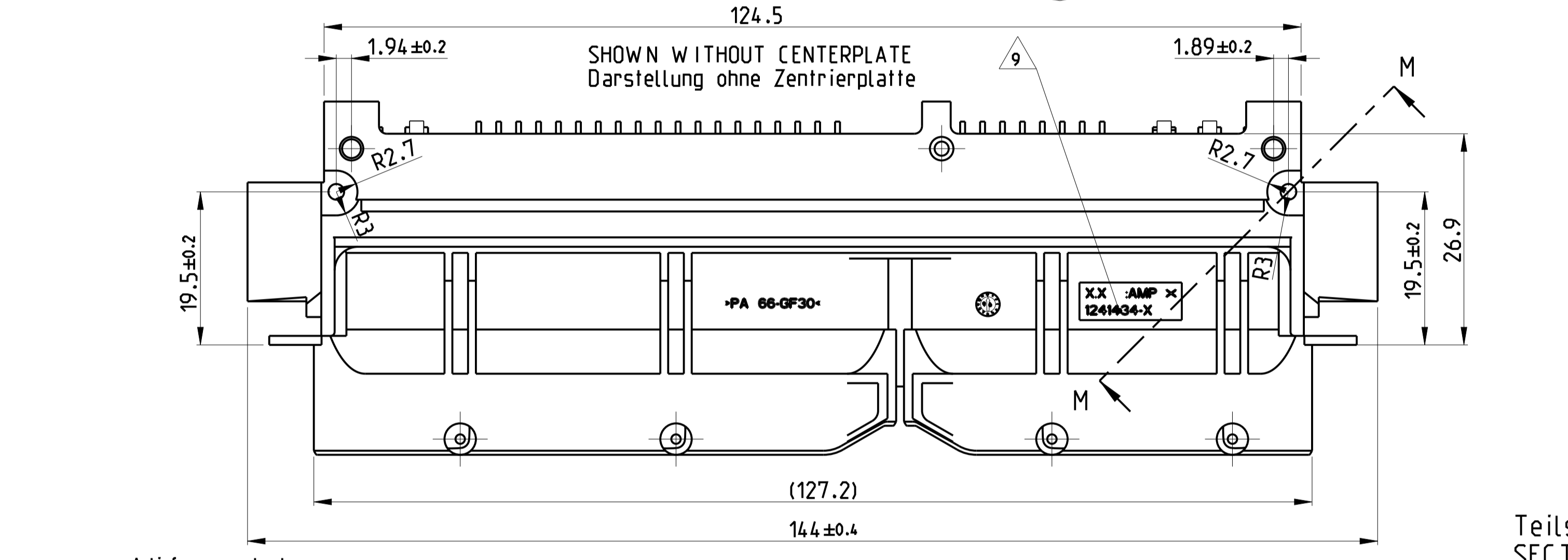
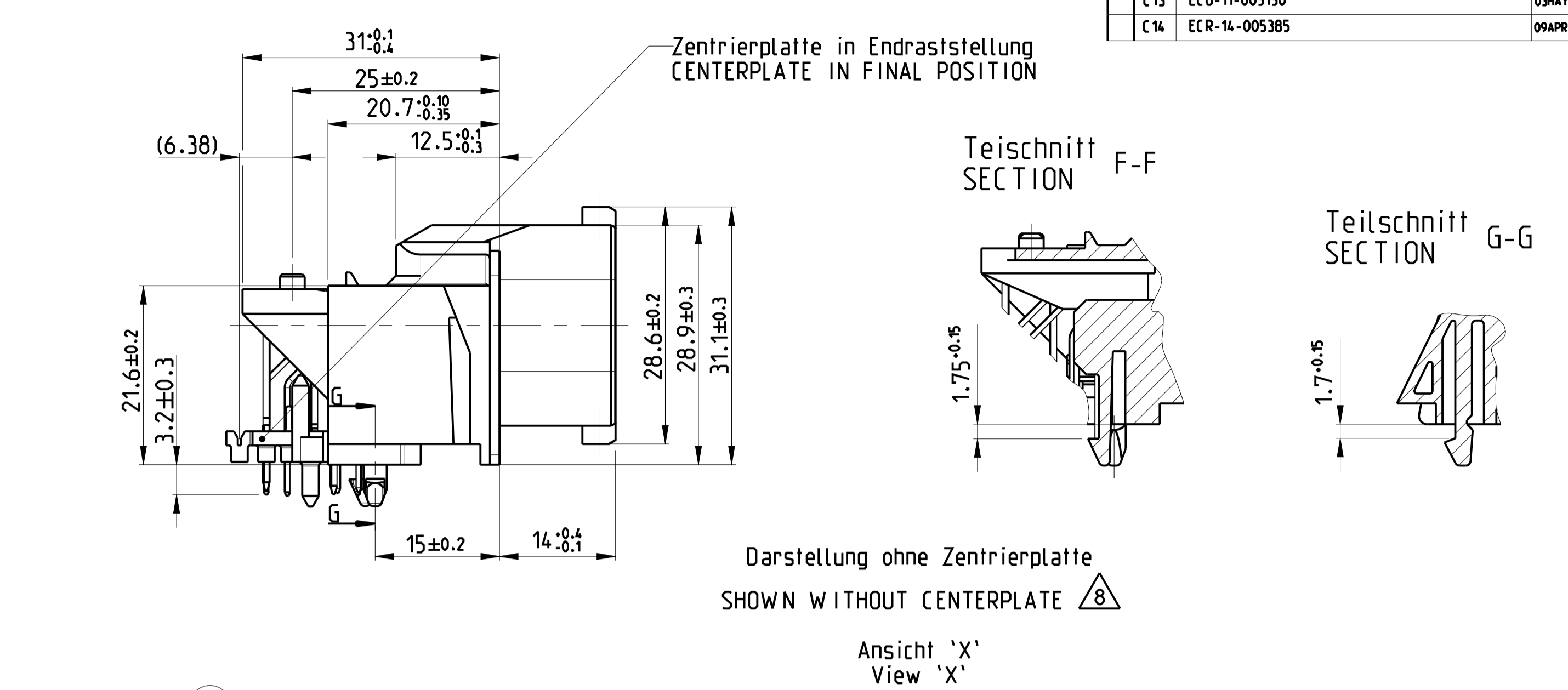
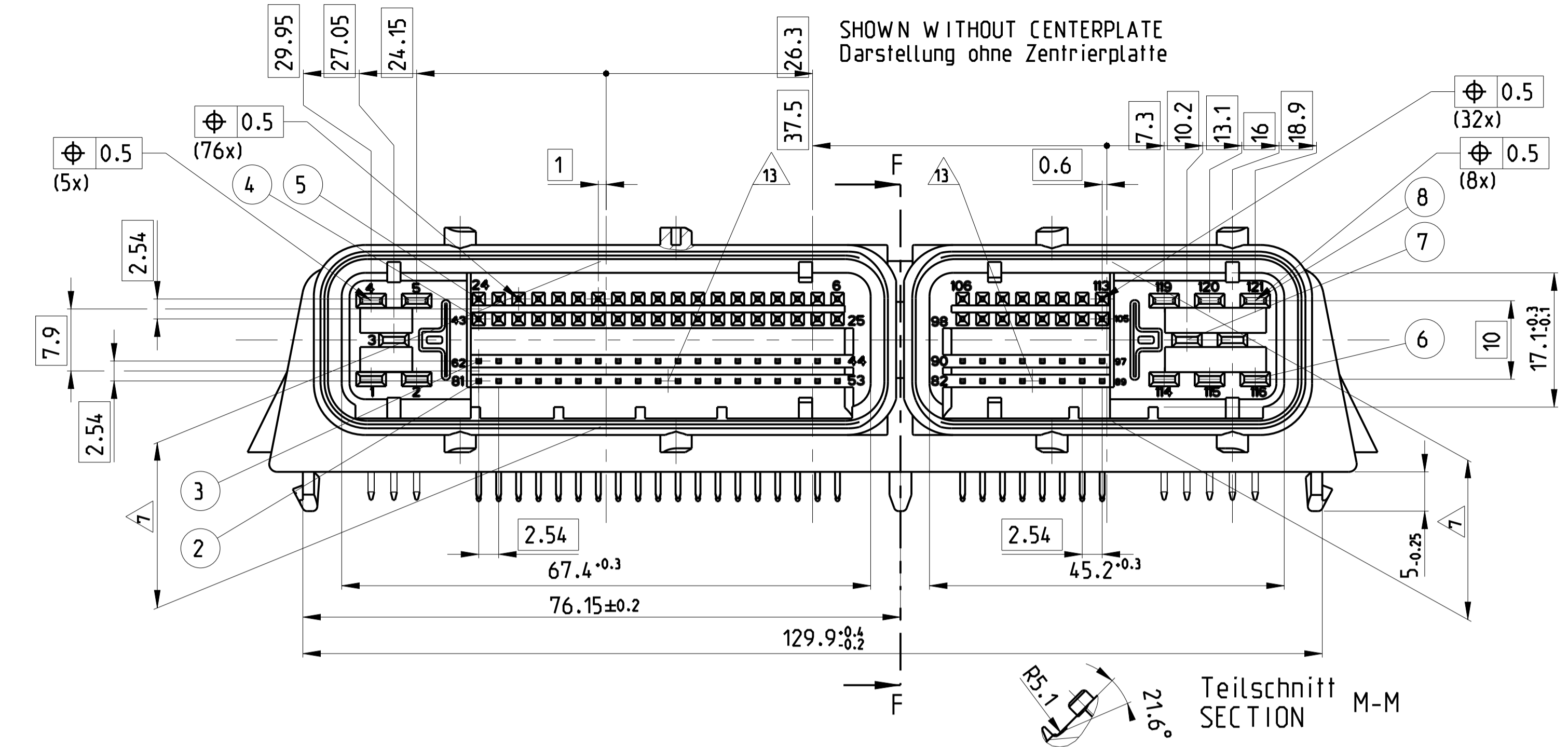


REVISIONS				
P.	L.N.	DESCRIPTION	DATE	DRW. APVD.
C11		NEW DRAWING CREATED. NOTES UPDATED	20SEP2006	HAAS, STRE.
C12		PRODUCT WEIGHT ADDED	27NOV2008	SZG GB
C13		ECO-11-005150	03MAY2011	RK HMR
C14		ECR-14-005385	09APR2014	MN SZG

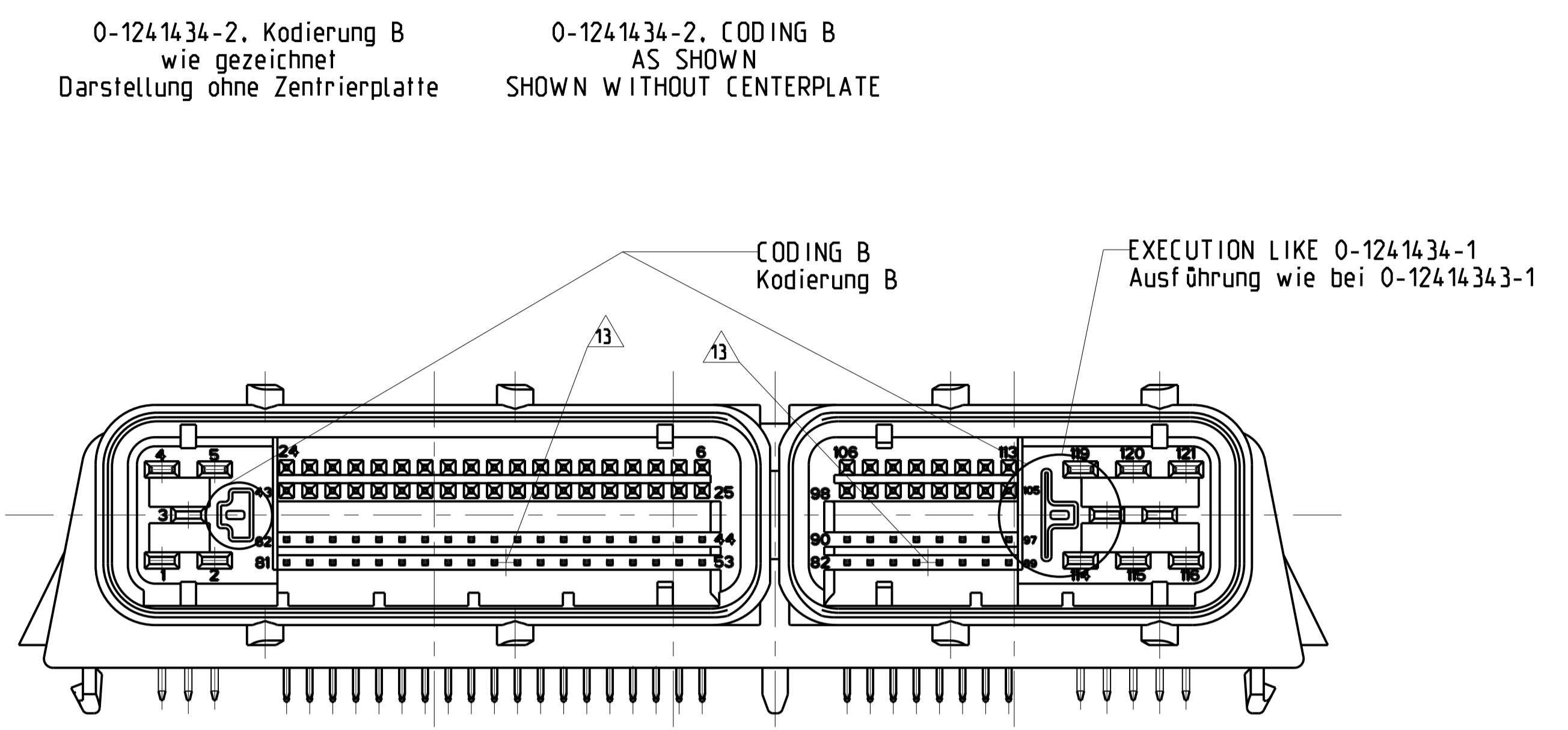
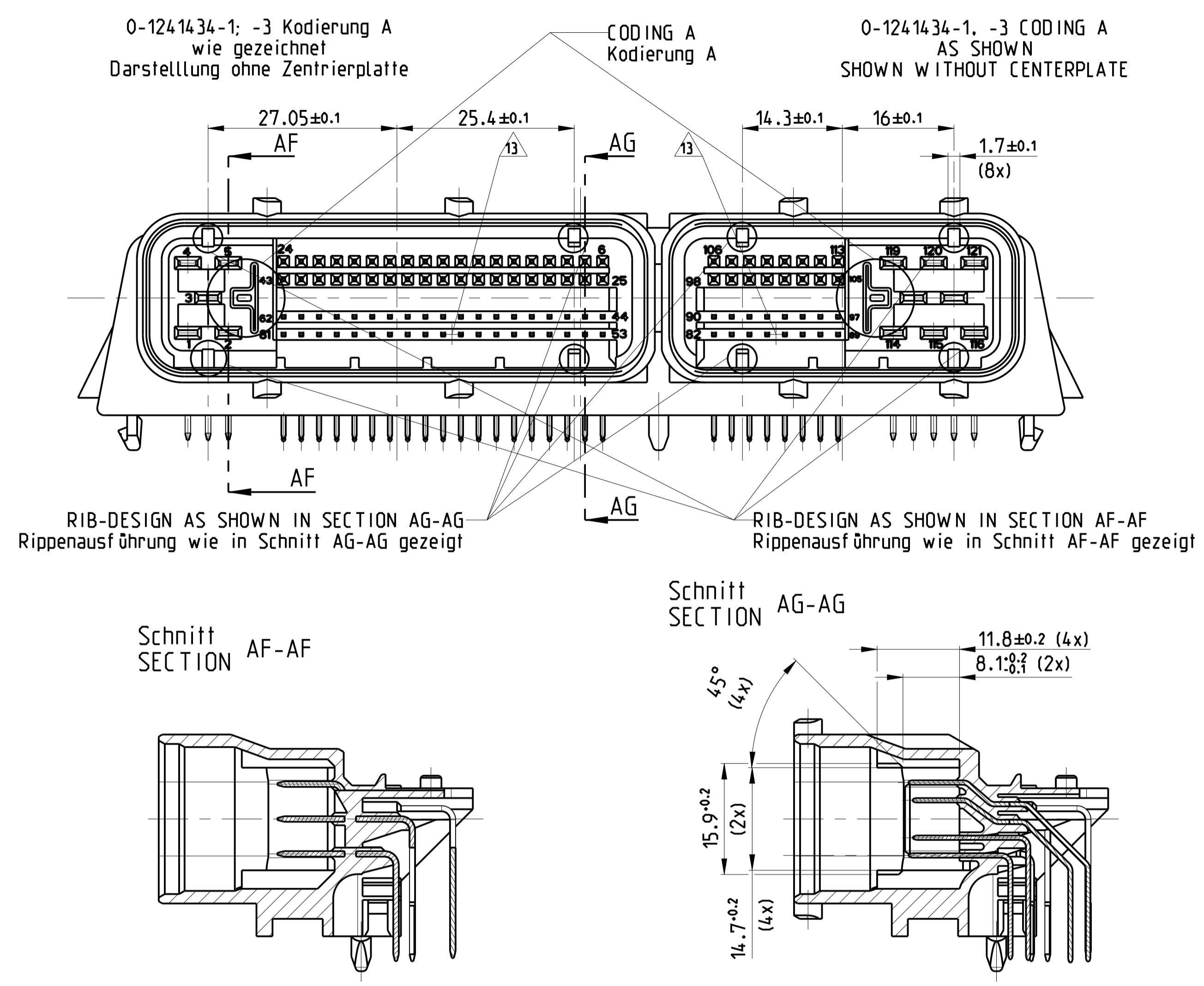


- |                                                                                                                                                                                                                                                                                                                                                                                                                                                                                                                                                                                                                                                                                                                                                                                                                                                                                                                                                                                                                                                                                                     |                                                                                                                                                                                                                                                                                                                                                                                                                                                                                                                                                                                                                                                                                                                                                                                                                                                                                                                                                                                                                                                                                                                               |
|-----------------------------------------------------------------------------------------------------------------------------------------------------------------------------------------------------------------------------------------------------------------------------------------------------------------------------------------------------------------------------------------------------------------------------------------------------------------------------------------------------------------------------------------------------------------------------------------------------------------------------------------------------------------------------------------------------------------------------------------------------------------------------------------------------------------------------------------------------------------------------------------------------------------------------------------------------------------------------------------------------------------------------------------------------------------------------------------------------|-------------------------------------------------------------------------------------------------------------------------------------------------------------------------------------------------------------------------------------------------------------------------------------------------------------------------------------------------------------------------------------------------------------------------------------------------------------------------------------------------------------------------------------------------------------------------------------------------------------------------------------------------------------------------------------------------------------------------------------------------------------------------------------------------------------------------------------------------------------------------------------------------------------------------------------------------------------------------------------------------------------------------------------------------------------------------------------------------------------------------------|
| <p><b>Bemerkungen</b></p> <ul style="list-style-type: none"> <li>1 Stift □0.63, 2-4 µm Aufschmelzverzinnung</li> <li>2 Stift □0.63, 1-3 µm Aufschmelzverzinnung</li> <li>3 Flachstecker 2.8 x 0.8:<br/>Steckseite 0.8-3 µm Feuerverzinnung<br/>Lötspitzen 4-8 µm galvanisch nachverzinkt</li> <li>4 Stifte □0.63, Kontaktausdrückkraft min. 40N</li> <li>5 Flachstecker 2.8x0.8: Kontaktausdrückkraft min. 80N</li> <li>6 Stecklehre für Lötseite: Nr.: 90-244629/90-244630</li> <li>7 Formbedingter Verzug von +0.2 -0.6 mm zul.</li> <li>8 Bemaßung sowie Form- und Lagertoleranz der Pin- und Tabenden gelten nur bei montierter Zentrierleiste in Vorraststellung</li> <li>9 TE Teil-Nr. nach Blatt 2</li> <li>10 Zum Vermessen der Lötüberside, Kontakthöhen im Steckgesicht sowie der Form- und Lagertoleranz ist die Messvorrichtung Nr. 90-244738 zu verwenden</li> <li>11 Lötbarkeit nach DIN IEC 68, Teil 2-20</li> <li>12 Passende Anschlussgehäuse siehe Tabelle 2, Blatt 2</li> <li>13 Bezugspunkt für Stichtiefe</li> <li>14 Zentrierplatte wahlweise ohne Ausschnitte C14</li> </ul> | <p><b>NOTES</b></p> <ul style="list-style-type: none"> <li>1 PIN □0.63, 2-4 µm REFLOW-TINPLATING</li> <li>2 PIN □0.63, 1-3 µm REFLOW-TINPLATING</li> <li>3 TAB 2.8 x 0.8:<br/>MATING-SIDE 0.8-3 µm PRE-TINPLATED<br/>SOLDER POINTS, 4-8 µm POST-TINPLATED</li> <li>4 PINS □0.63, AXIAL RESISTANT FORCE MIN. 40N</li> <li>5 TABS 2.8x0.8: AXIAL RESISTANT FORCE MIN. 80N</li> <li>6 MATING GAUGE FOR SOLDER-SIDE: NO.: 90-244629/90-244630</li> <li>7 MOULD DEPENDING WARPAGE OF +0.2 -0.6 MM PERMITTED</li> <li>8 DIMENSIONS AND TOLERANCES OF FORM AND POSITION OF THE PIN- AND TAB ENDS ARE VALID ONLY WITH PREASSEMBLED CENTERPLATE</li> <li>9 TE PART-NO. ACC. TO SHEET 2</li> <li>10 FOR MEASURING THE CONTACT PROTRUSIONS OF THE SOLDER-SIDE: MATINGSIDE AND THE TOLERANCES OF FORM AND POSITION THE MEASURING APPLIANCE NO. 90-244738 IS TO BE EMPLOYED</li> <li>11 SOLDERABILITY ACC. TO DIN IEC 68, PART 2-20</li> <li>12 SUITABLE CONNECTING HOUSINGS ACC. TO TABLE 2, SHEET 2</li> <li>13 REFERENCE POINT FOR STICHING DIMENSION</li> <li>14 OPTIONAL CENTERPLATE POST-CONSTRUCTION WITHOUT CUTOUTS C14</li> </ul> |
|-----------------------------------------------------------------------------------------------------------------------------------------------------------------------------------------------------------------------------------------------------------------------------------------------------------------------------------------------------------------------------------------------------------------------------------------------------------------------------------------------------------------------------------------------------------------------------------------------------------------------------------------------------------------------------------------------------------------------------------------------------------------------------------------------------------------------------------------------------------------------------------------------------------------------------------------------------------------------------------------------------------------------------------------------------------------------------------------------------|-------------------------------------------------------------------------------------------------------------------------------------------------------------------------------------------------------------------------------------------------------------------------------------------------------------------------------------------------------------------------------------------------------------------------------------------------------------------------------------------------------------------------------------------------------------------------------------------------------------------------------------------------------------------------------------------------------------------------------------------------------------------------------------------------------------------------------------------------------------------------------------------------------------------------------------------------------------------------------------------------------------------------------------------------------------------------------------------------------------------------------|

THIS DRAWING IS A CONTROLLED DOCUMENT.

DRW. G.Fischer CHK B.Kirsch APVD M.Bleicher	26-FEB-99 19-MAR-99 30-OCT-06	<p>TE Connectivity</p> <p>PIN-/TAB 2.8x0.8 HEADER,                  Stift-/Flachstecker 2.8x0.8 Leiste,                  108+13POSN. TSMT / JPT</p>
DIMENSIONS: mm TOLERANCES UNLESS OTHERWISE SPECIFIED: 0 PLC *** 1 PLC *** 2 PLC *** 3 PLC *** 4 PLC *** ANGLES *** FINISH ***	NAME: A1 CAGE CODE: 00779 DRAWING NO: C=1241434 RESTRICTED TO	
MATERIAL: SEE TABLE	WEIGHT: 73 g Customer Drawing	SCALE: 2:1 SHEET: 1 of 2 REV: C14

0-1241434-1 wie gezeichnet AS SHOWN



REVISIONS				
P. LTR.	DESCRIPTION	DATE	DWH	APVD
-	SEE SHEET 1	-	-	-

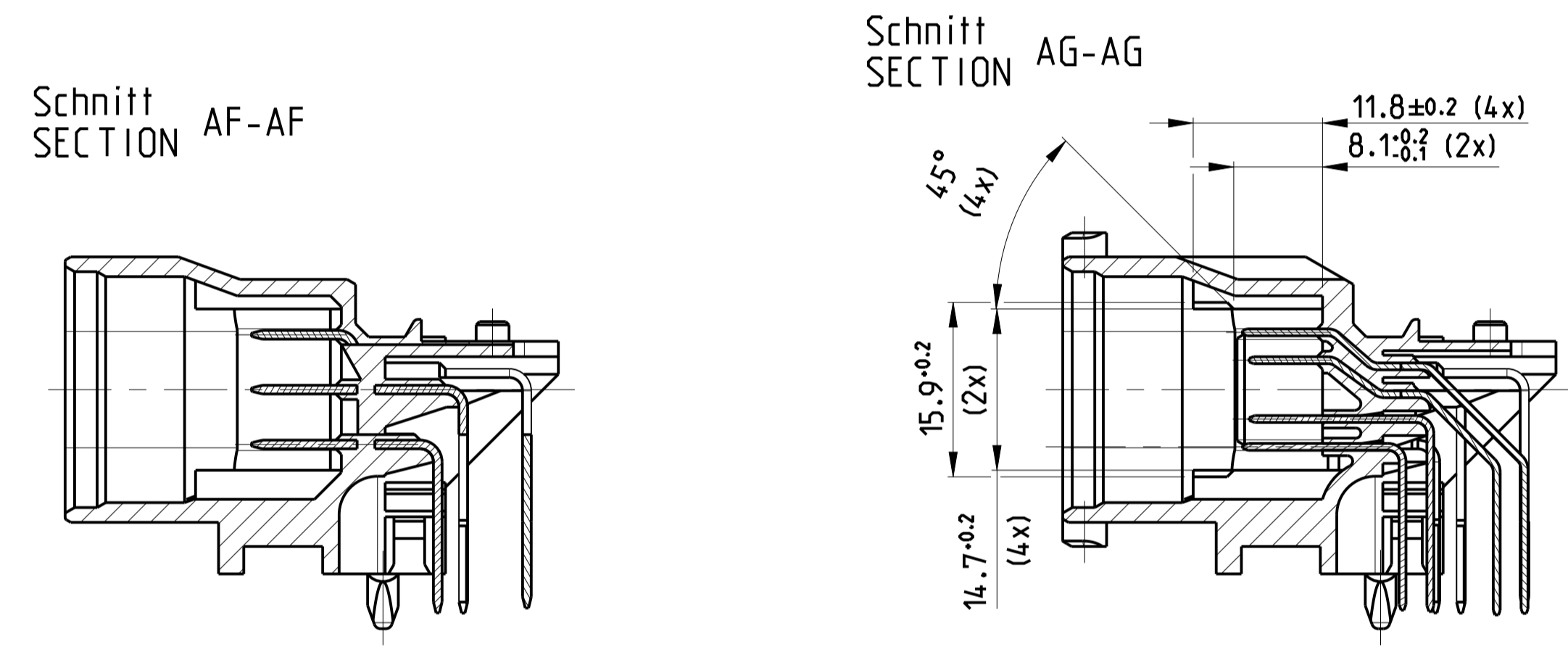


Tabelle 2 / TABLE 2

Stift-/ Tab-Leiste PIN-/TAB- HEADER	Passende Buchsenstecker SUITABLE RECEPTACLE-HOUSINGS	
	40pol 40POSN. TE Teil-Nr. TE PART-NO.	81pol. 81POSN. TE Teil-Nr. TE PART-NO.
1241434-1	1355172-1	1355171-1
1241434-2	1355172-1	1355171-2
1241434-3	1355172-1	1355171-1

REVISION	C	C	C	C	C	C	ORDER-NO. Bestell-Nr.	SINGLE-PART DESCR. Einzelteil-Benennung	QTY. Stück	ITEM. Pos.	COLOR. Farbe SURFACE. Oberfl äche	MATERIAL Material
CODING/Kodierung	A	B	A	A	A	A						
	0-1241434-3	0-1241434-2	9-1241434-1	8-1241434-1	7-1241434-1	0-1241434-1						
	X	X	X	X	X	X		PIN HOUSING. Stiftwanne	1	9	BLACK Schwarz	PA66-GF 30
	X	X	X	X	X	X		TAB 2.8x0.8; LONG Flachstecker 2.8x0.8 lang	5	8	3	CuSn 6
	X	X	X	X	X	X		TAB 2.8x0.8; MIDDLE Flachstecker 2.8x0.8 mittel	3	7	3	CuSn 6
	X	X	X	X	X	X		TAB 2.8x0.8; SHORT Flachstecker 2.8x0.8 kurz	5	6	3	CuSn 6
	X							PIN 0.63; MIDDLE Stift 0.63 mittel	27	3	2	CuFe 2
	X							PIN 0.63; SHORT Stift 0.63 kurz	27	2	2	CuFe 2
	X	X	X	X	X	X		PIN 0.63; VERY LONG Stift 0.63 sehr lang	27	5	1	CuSn 6
	X	X	X	X	X	X		PIN 0.63; LONG Stift 0.63 lang	27	4	1	CuSn 6
		X	X	X	X	X		PIN 0.63; MIDDLE Stift 0.63 mittel	27	3	1	CuSn 6
		X	X	X	X	X		PIN 0.63; SHORT Stift 0.63 kurz	27	2	1	CuSn 6
	X	X	X	X	X	X		CENTERPLATE Zentrierplatte	1	1	BLACK Schwarz	PA66-GF 50

THIS DRAWING IS A CONTROLLED DOCUMENT.

APPROVED: G. Fischer, B. Kirsch, H. Bleicher

DATE: 26-FEB-99, 19-MAR-99, 30-OCT-06

NAME: PIN-/TAB 2.8x0.8 HEADER, Stift-/Flachstecker 2.8x0.8 Leiste, 108+13POSN. TSMT / JPT

SIZE: A1, CAGE CODE: 00779, DRAWING NO: 1241434

WEIGHT: 73 g

Customer Drawing

SCALE: 2:1, SHEET: 2 OF 2, REV: C14

单击下面可查看定价，库存，交付和生命周期等信息

[>>TE Connectivity\(泰科\)](#)