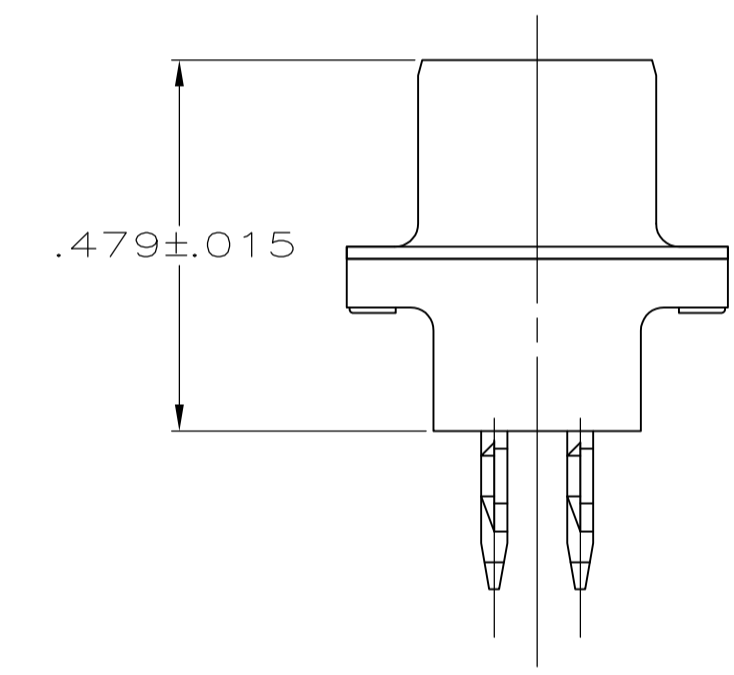
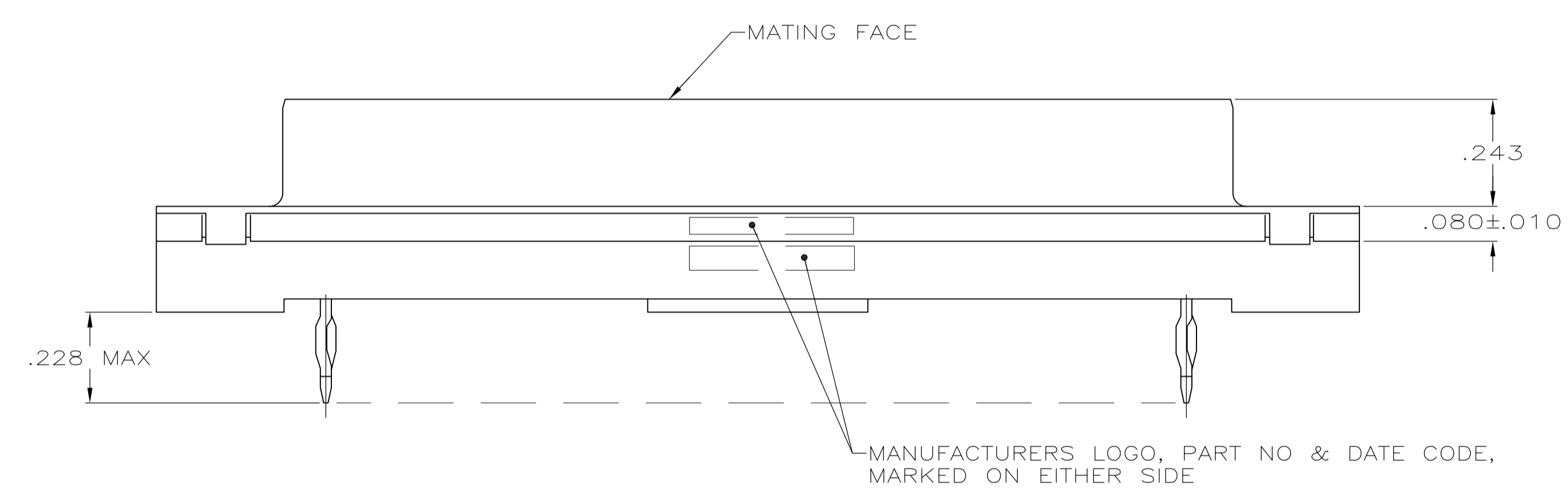
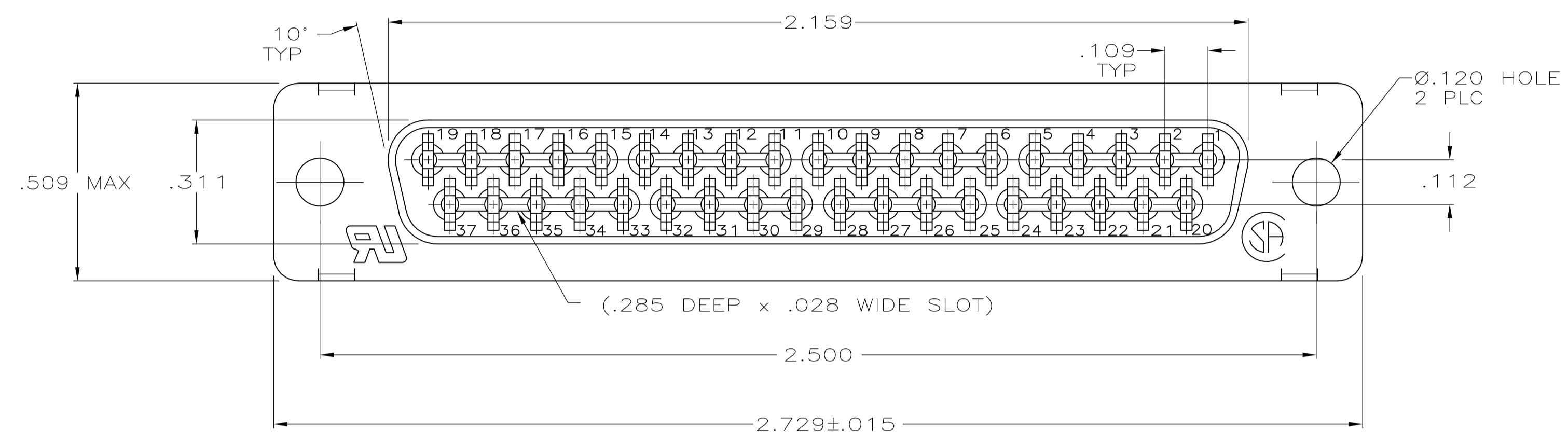


LOC		DIST		REVISIONS			
GP	00	REV	DATE	BY	APPV	DATE	REV
C		REVISED PER ECO-12-000090	26JAN2012	CJV	SLB		



- 1 FOR USE WITH .093 MINIMUM THICK PRINTED CIRCUIT BOARD. REFER TO APPLICATION SPECIFICATION FOR PRINTED CIRCUIT BOARD LAYOUT DIMENSIONS AND FINISH RECOMMENDATIONS.
- 2 SHELL: .0002 MIN BRIGHT TIN OVER .000100 MIN COPPER.
- 3 HOUSING: FLAME RETARDANT, UL 94V-0 RATED, THERMOPLASTIC; COLOR: BLACK. SHELL: CARBON STEEL. CONTACTS: COPPER ALLOY.
- 4 0.76 MICRO METERS [.000030] MINIMUM GOLD IN MATING AREA. 2.54 MICRO METERS [.000100] MINIMUM TIN ON COMPLIANT PIN. ALL OVER 1.27 MICRO METERS [.000050] MINIMUM NICKEL. OR 0.76 MICRO METERS [.000030] MINIMUM TOTAL IN MATING AREA. 2.54 MICRO METERS [.000100] MINIMUM TIN ON COMPLIANT PIN. ALL OVER 1.27 MICRO METERS [.000050] MINIMUM NICKEL.

5747713-2
PART NO

**COPYRIGHT 2005
TYCO ELECTRONICS CORP
ALL RIGHTS RESERVED**

THIS DRAWING IS A CONTROLLED DOCUMENT.		DIN A. FERNANDEZ-DOCKS 03-31-05	TE Connectivity	
DIMENSIONS: INCHES		CHK S. BOLASH 03-31-05	NAME RCPT ASSY, SIZE 4, 37 POSN, AMPLIMITE HD-20, MDM PROFILE, W/ ACTION PIN CONT & METAL SHELL	
TOLERANCES UNLESS OTHERWISE SPECIFIED:		APVD M. WALMSLEY 03-31-05	PRODUCT SPEC 108-40014	
0 PLC ± -		APPLICATION SPEC 114-40026	SIZE A1	RESTRICTED TO
1 PLC ± -		WEIGHT -	CAGE CODE 00779	DRAWING NO 5747713
2 PLC ± -		CUSTOMER DRAWING		
3 PLC ± .005		SCALE 4:1 SHEET 1 OF 1 REV C		
4 PLC ± -				
ANGLES ± °				
FINISH				

单击下面可查看定价，库存，交付和生命周期等信息

[>>TE Connectivity\(泰科\)](#)