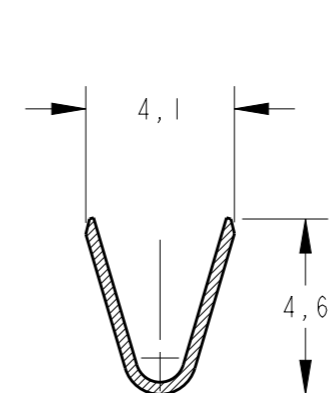
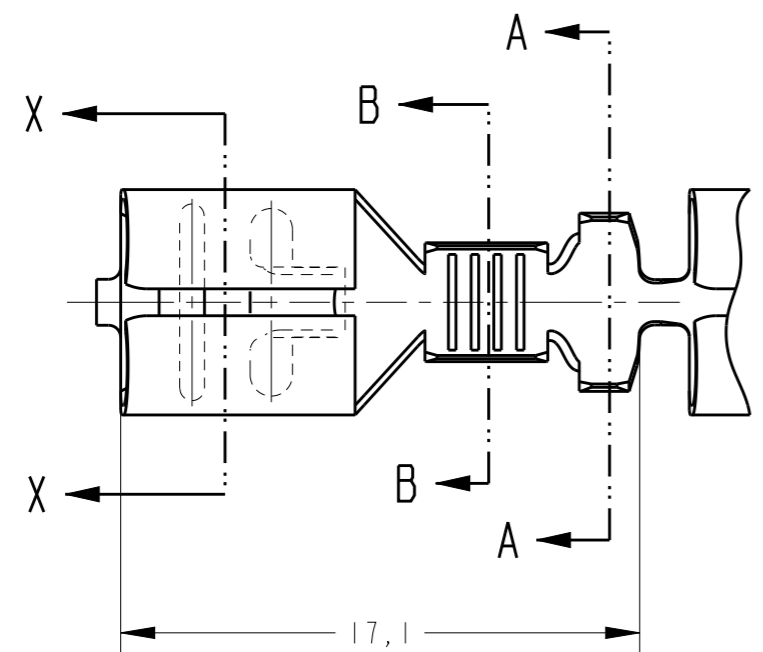
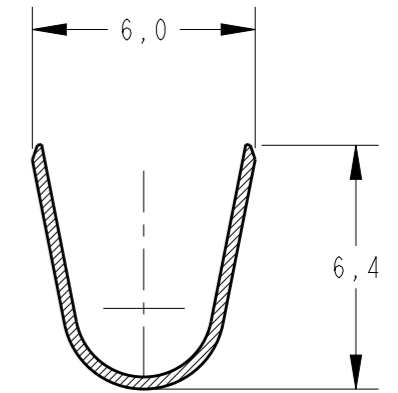


THIS DRAWING IS UNPUBLISHED. RELEASED FOR PUBLICATION 2012
 © COPYRIGHT 2012 BY TE CONNECTIVITY ALL RIGHTS RESERVED.

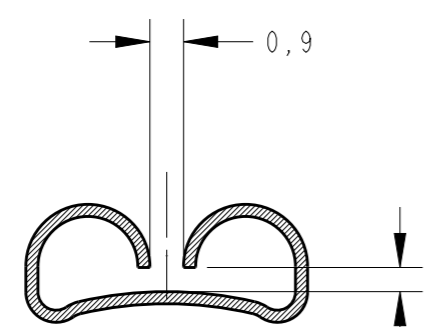
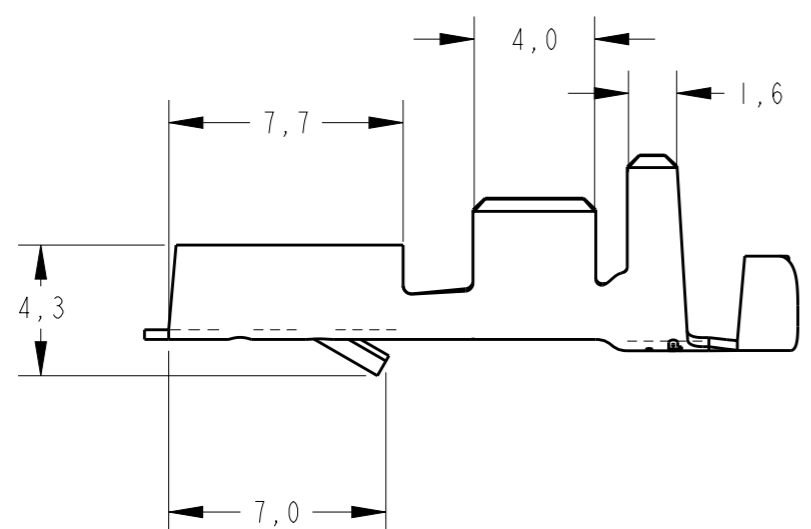
| LOC | DIST | REVISIONS | | | | |
|-----|------|-------------|--------------------------|-----------|------|-----|
| P | LTR | DESCRIPTION | DATE | DWN | APVD | |
| AP | - | AGI | REVISED BY ECO 16-003725 | 23JUN2016 | HC | WLS |



SECTION B-B
SCALE 5:1

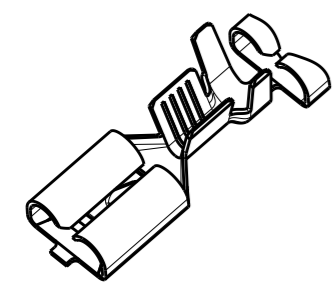


SECTION A-A
SCALE 5:1



SECTION X-X
SCALE 5:1

PARA LINGUETA
DE 0,8mm ESPESSURA
FOR 0,8mm TAB



PERSPECTIVE VIEW
SCALE 2:1

| | | | |
|----------|------------------------|---------------------------|-------------|
| OBSOLETE | PLATEADO/SILVER PLATED | LATÃO / BRASS | 735222 5 |
| | ESTANHADO / TIN PLATED | BRONZE FOSF./PHOSP BRONZE | 735222 4 |
| | | BRONZE FOSF./PHOSP BRONZE | 735222 3 |
| | ESTANHADO / TIN PLATED | LATÃO / BRASS | 735222 2 |
| | | LATÃO / BRASS | 735225 -1 |
| | FINISH | MATERIAL | PART NUMBER |

| INS. RANGE | WIRE RANGE |
|-------------|------------------------|
| Ø 3,0-5,0mm | 2,0-4,0mm ² |

| | | | |
|--|-----------|------------------|------------|
| THIS DRAWING IS A CONTROLLED DOCUMENT. | | DWN | 29APR2013 |
| | | CHK | 29APR2013 |
| | | APVD | 29APR2013 |
| | | NAME | DAOLIVEIRA |
| DIMENSIONS: mm | | PRODUCT SPEC | 108-37015 |
| TOLERANCES UNLESS OTHERWISE SPECIFIED: | | APPLICATION SPEC | 114-18022 |
| 0 PLC ±- | ±0,3 | WEIGHT | - |
| 1 PLC ±- | | CUSTOMER DRAWING | |
| 2 PLC ±- | | SCALE 5:1 | |
| 3 PLC ±- | | SHEET 1 OF 1 | |
| 4 PLC ±- | | REV AGI | |
| ANGLES ±° | | | |
| FINISH | SEE TABLE | | |

| | | | |
|---|-----------|------------|---------------|
| STE TE Connectivity | | | |
| NAME TERMINAL 6.3 SERIES FASTIN FASTON RECEPTACLE | | | |
| SIZE | CAGE CODE | DRAWING NO | RESTRICTED TO |
| A3 | 00779 | 735225 | - |

单击下面可查看定价，库存，交付和生命周期等信息

[>>TE Connectivity\(泰科\)](#)