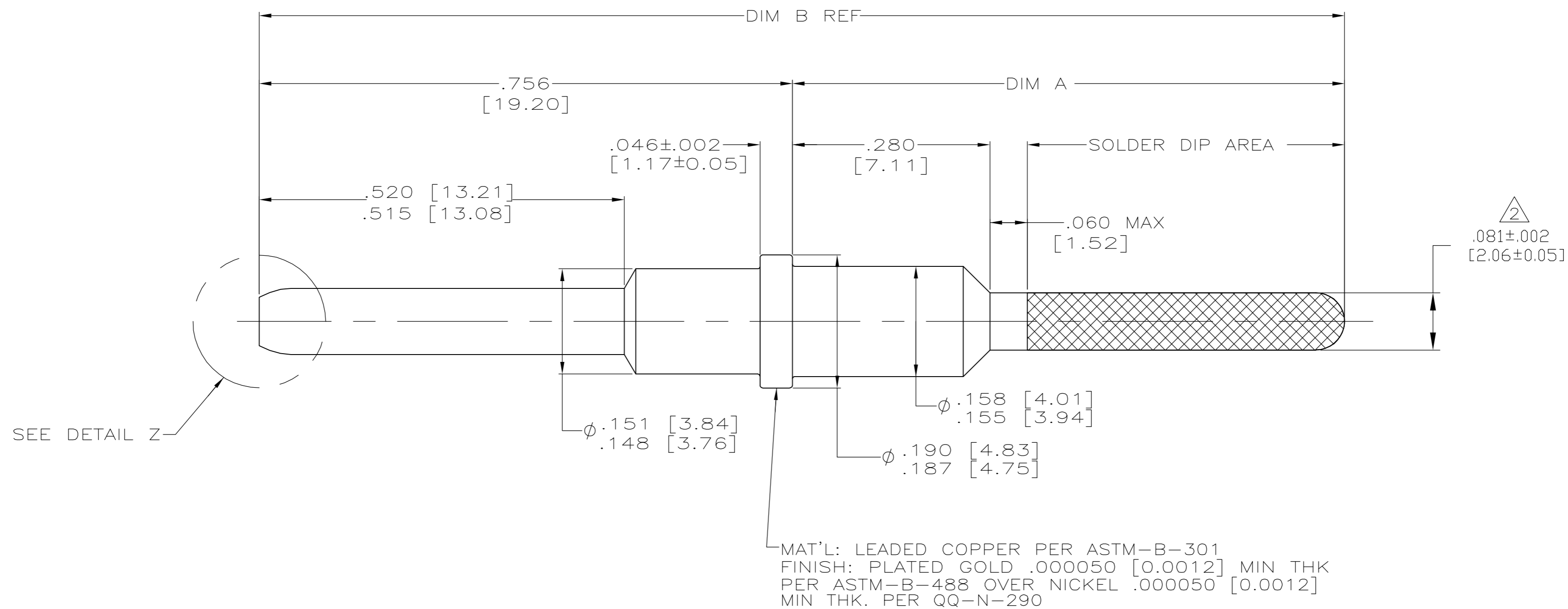


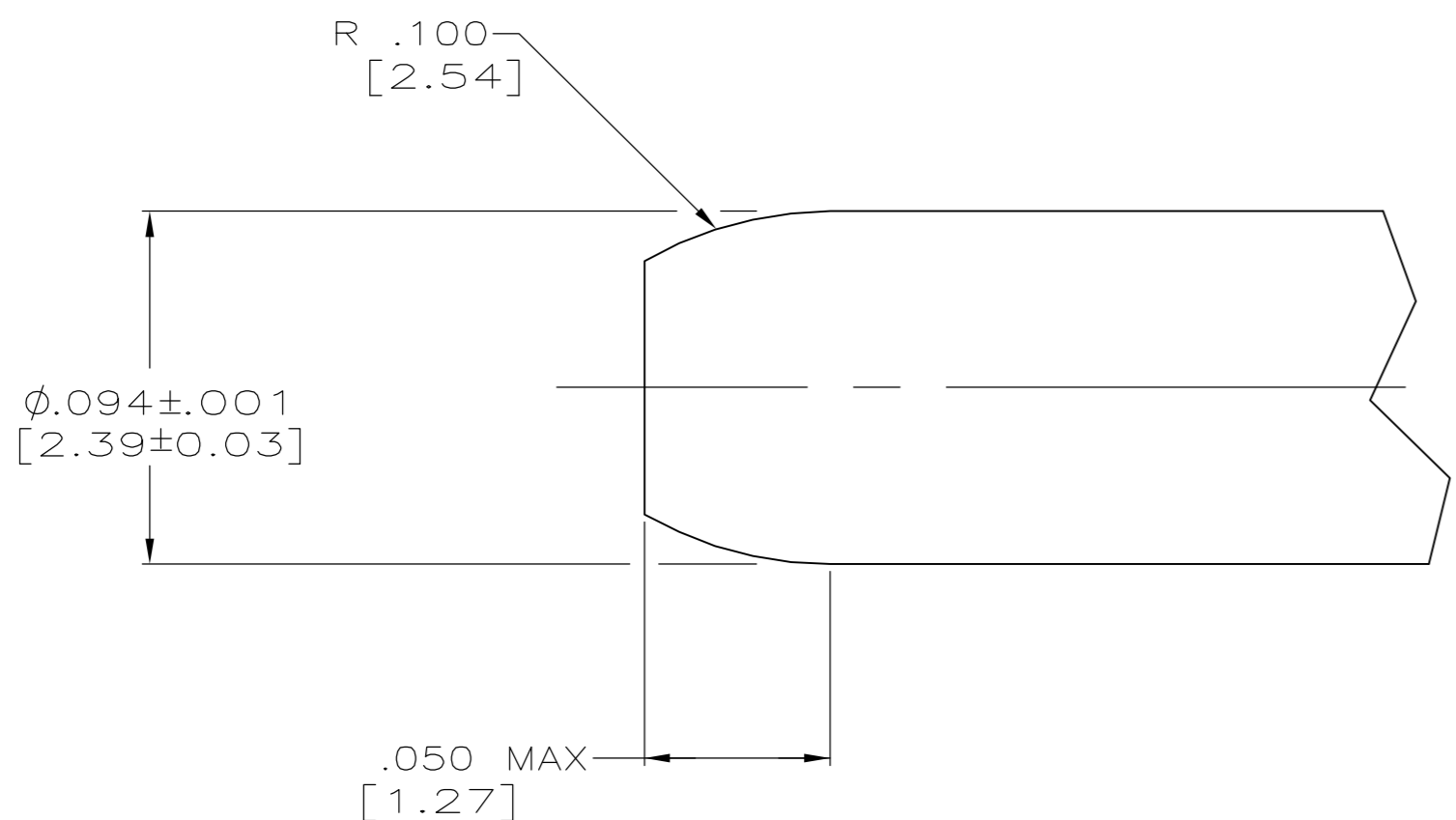
THIS DRAWING IS UNPUBLISHED. RELEASED FOR PUBLICATION
 © COPYRIGHT BY TYCO ELECTRONICS CORPORATION. ALL RIGHTS RESERVED.

LOC	DIST	REVISIONS					
DF	A0	P	LTR	DESCRIPTION	DATE	DWN	APVD
		D		REV PER ECO 07-004436	2-28-07	CT	MT

1. FOR USE IN ARINC 600 REAR RELEASE INSERT.
 △ DIMENSIONS APPLY BEFORE SOLDER DIP.



MAT'L: LEADED COPPER PER ASTM-B-301
 FINISH: PLATED GOLD .000050 [0.0012] MIN THK
 PER ASTM-B-488 OVER NICKEL .000050 [0.0012]
 MIN THK. PER QQ-N-290



DETAIL Z
 SCALE 20:1

1.639 [41.63]	.883±.003 [22.43±0.08]	NO	1-1663129-1
1.279 [32.49]	.523±.005 [13.28±0.13]	NO	1663129-8
1.391 [35.33]	.635±.005 [16.13±0.13]	YES	1663129-6
1.391 [35.33]	.635±.005 [16.13±0.13]	NO	1663129-5
1.539 [39.09]	.783±.003 [19.89±0.08]	YES	1663129-3
1.539 [39.09]	.783±.003 [19.89±0.08]	NO	1663129-2
DIM B	DIM A	SOLDER DIP	PART NUMBER

THIS DRAWING IS A CONTROLLED DOCUMENT.		DWN C.C.THOMAS 11-19-02	AMP Tyco Electronics Corporation Harrisburg, PA 17105-3608	
DIMENSIONS: INCHES		CHK S.GLATFELTER 11-19-02	NAME	
TOLERANCES UNLESS OTHERWISE SPECIFIED:		APVD S.GLATFELTER 11-19-02	PIN CONTACT, POSTED, SIZE 12, REAR RELEASE, ARINC 600	
0 PLC ± -		PRODUCT SPEC	SIZE A2	
1 PLC ± -		APPLICATION SPEC	CAGE CODE 00779	DRAWING NO C=1663129
2 PLC ± -		WEIGHT -	RESTRICTED TO	
3 PLC ± .005 [0.13]		CUSTOMER DRAWING	SCALE 8:1	SHEET 1 of 1
4 PLC ± -			REV D	
ANGLES ± -				
FINISH				
SEE CALLOUT				

单击下面可查看定价，库存，交付和生命周期等信息

[>>TE Connectivity\(泰科\)](#)