

THIS DRAWING IS UNPUBLISHED.

RELEASED FOR PUBLICATION

REVISIONS

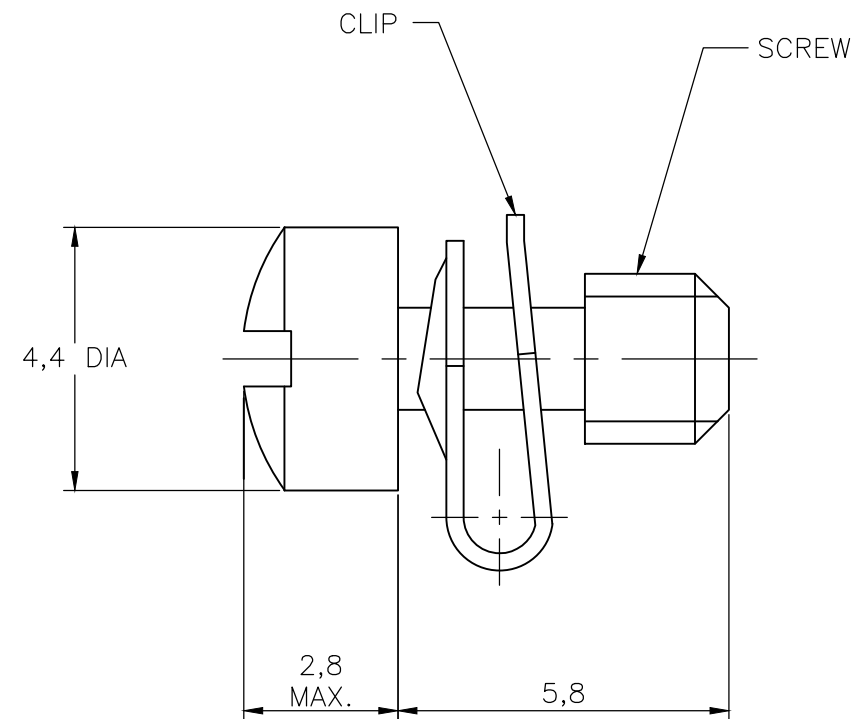
© COPYRIGHT - TE Connectivity

ALL RIGHTS RESERVED.

P	LTR	DESCRIPTION	DATE	DWN	APVD
	D	REVISED PER ECO-17-014394	05JAN2018	AP	DG

NOTES:

- ① PARTS PACKAGED UNASSEMBLED.
1 KIT CONTAINS 2 SCREWS , 2 CLIPS.
- ② SCREW: STEEL
CLIP : STAINLESS STEEL
- ③ SCREW: BRIGHT TINPLATED.
CLIP : NO PLATING.
- ④ INDIVIDUAL KIT : 2 SCREWS +2 CLIPS IN ONE PLASTIC BAG
- ⑤ 100 KITS BULKPACKAGE : 200 SCREWS IN ONE PLASTIC BAG AND
200 CLIPS IN ANOTHER PLASTIC BAG.
1857211-3 AND -4 TO BE ORDERED IN MULTIPLES OF 100
PIECES OF THE PARTNUMBER.



OBSOLETE	⑤	③	②	M3	1857211-4
				4-40 UNC.	1857211-3
OBSOLETE	④	③	②	M3	1857211-2
				4-40 UNC.	1857211-1
			PACKING	FINISH	MATERIAL
					PART NUMBER ①

THIS DRAWING IS A CONTROLLED DOCUMENT.		DWN	15JUL05		STE TE Connectivity								
		CHK	15JUL05										
		APVD	15JUL05										
		NAME	J.BROEKSTEEG										
DIMENSIONS: mm		TOLERANCES UNLESS OTHERWISE SPECIFIED:		KIT, SCREW RETAINER, 4-40 UNC. M3, AMPLIMITE.									
		0 PLC	± -	<table border="1"> <tr> <td>SIZE</td> <td>CAGE CODE</td> <td>DRAWING NO</td> <td>RESTRICTED TO</td> </tr> <tr> <td>WEIGHT</td> <td>A3 00779</td> <td>C-1857211</td> <td>-</td> </tr> </table>		SIZE	CAGE CODE	DRAWING NO	RESTRICTED TO	WEIGHT	A3 00779	C-1857211	-
		SIZE	CAGE CODE			DRAWING NO	RESTRICTED TO						
WEIGHT	A3 00779	C-1857211	-										
1 PLC	± -												
2 PLC	± -												
3 PLC	± -												
4 PLC	± -												
MATERIAL		FINISH		SCALE									
-		-		NTS									
		CUSTOMER DRAWING		SHEET 1 OF 1									
				REV D									

单击下面可查看定价，库存，交付和生命周期等信息

[>>TE Connectivity\(泰科\)](#)