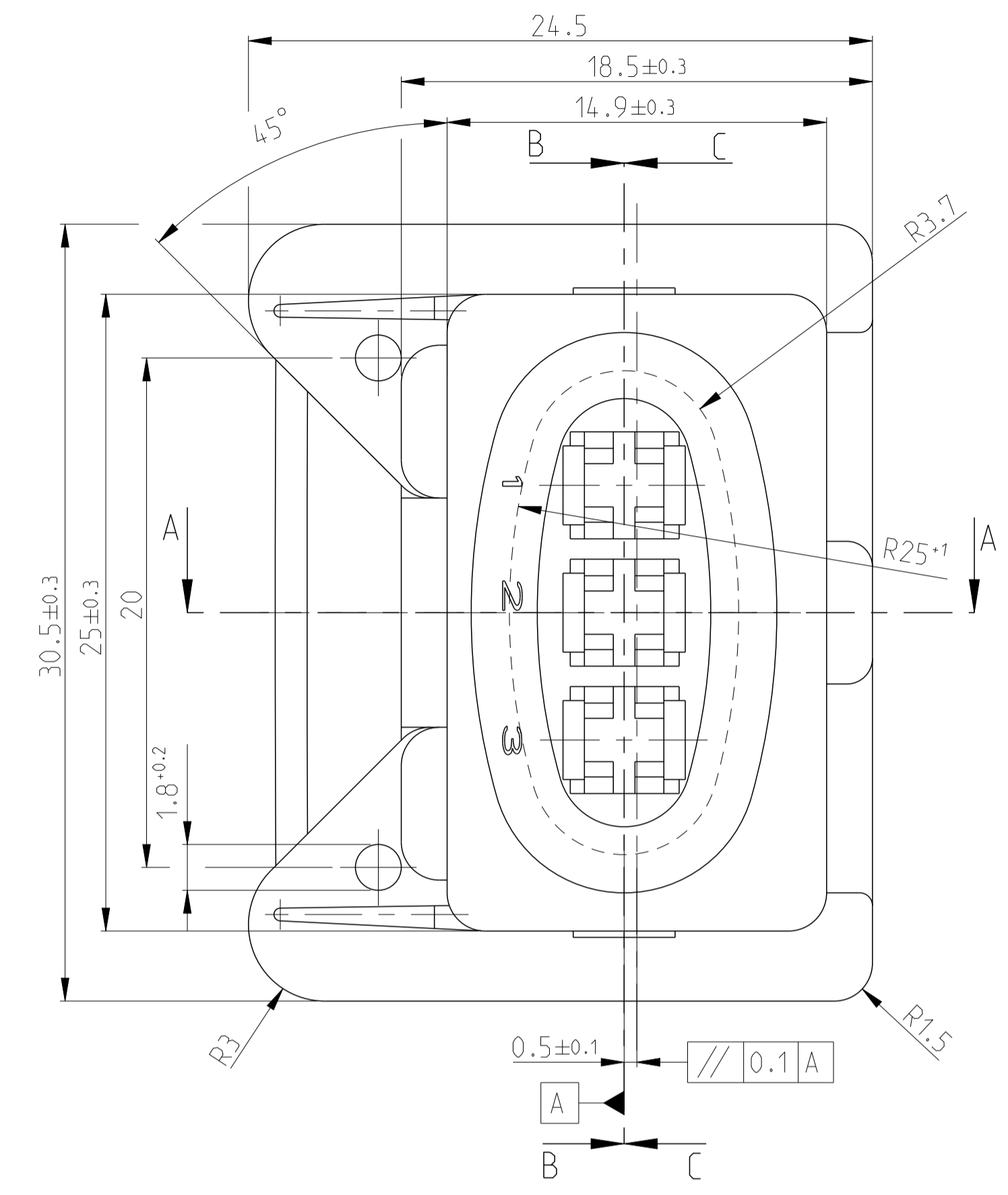
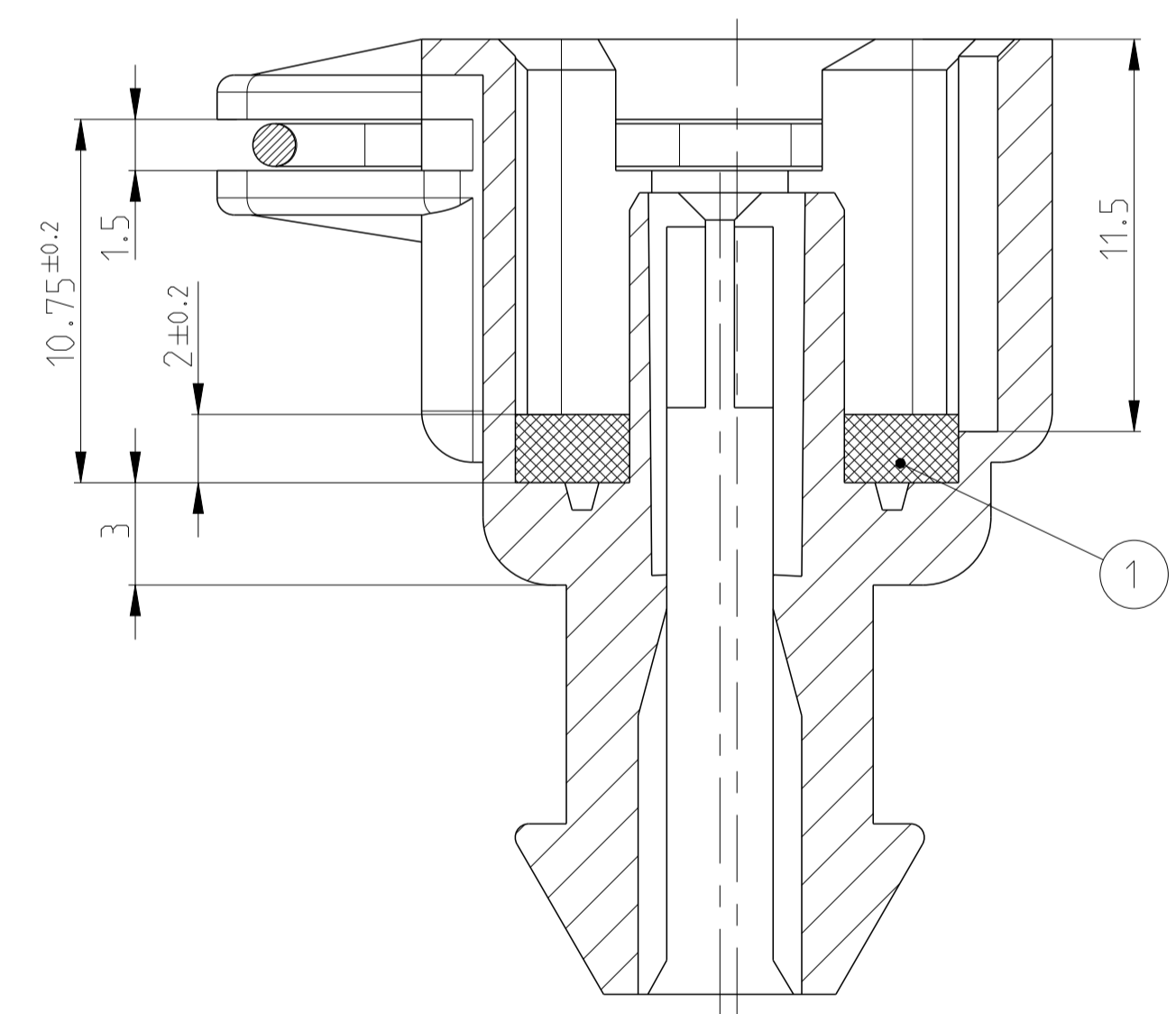


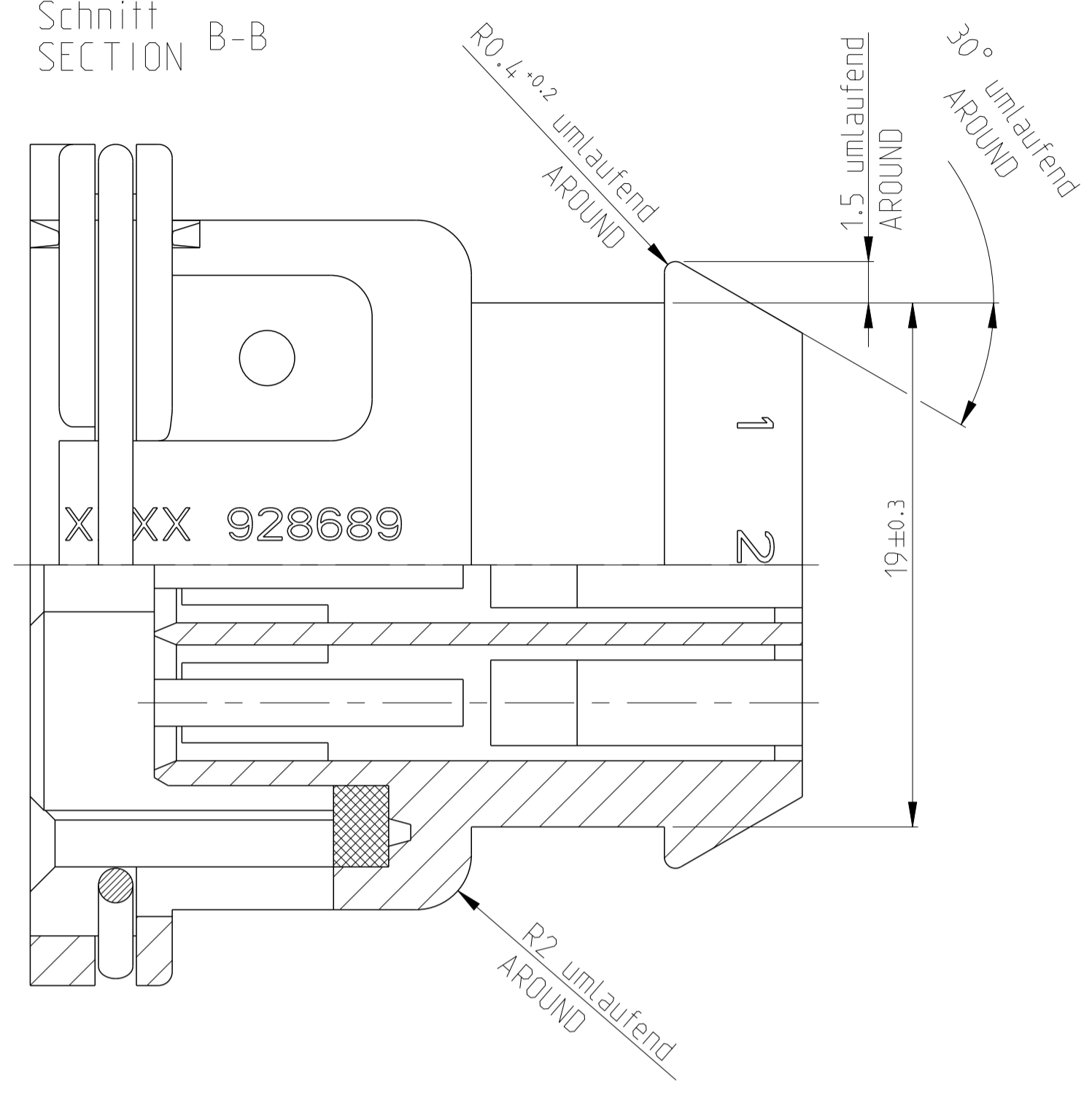
REVISIONS				
P.	LTN	DESCRIPTION	DATE	DMN APVD
A1		NEW DRAWING CREATED	29MAY2007	HAAS STRE
A2		SET PN 's OBSOLETE	10AUG2017	HD. KRAU
A3		General Tolerance added	2FEB2018	MN MN



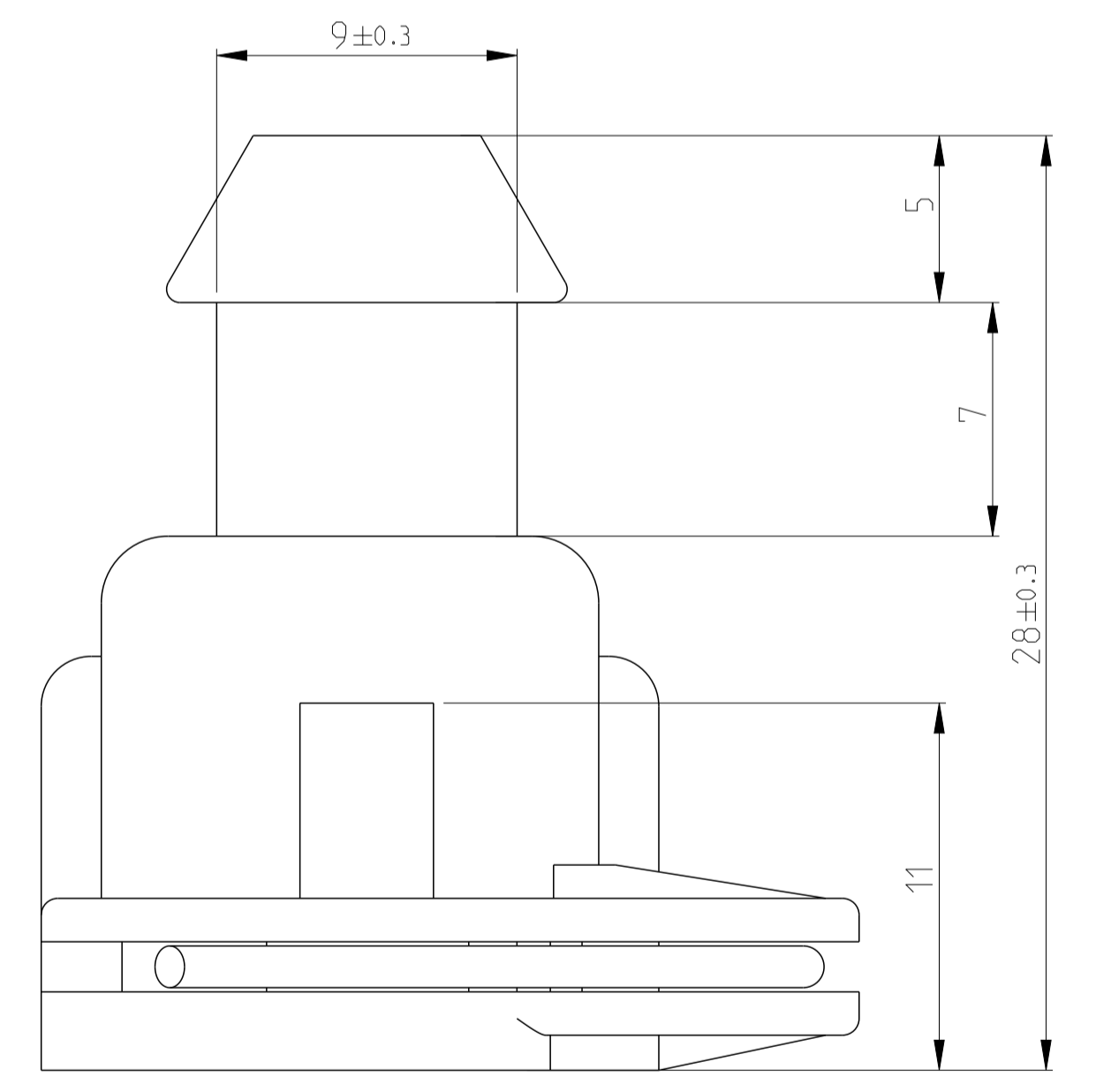
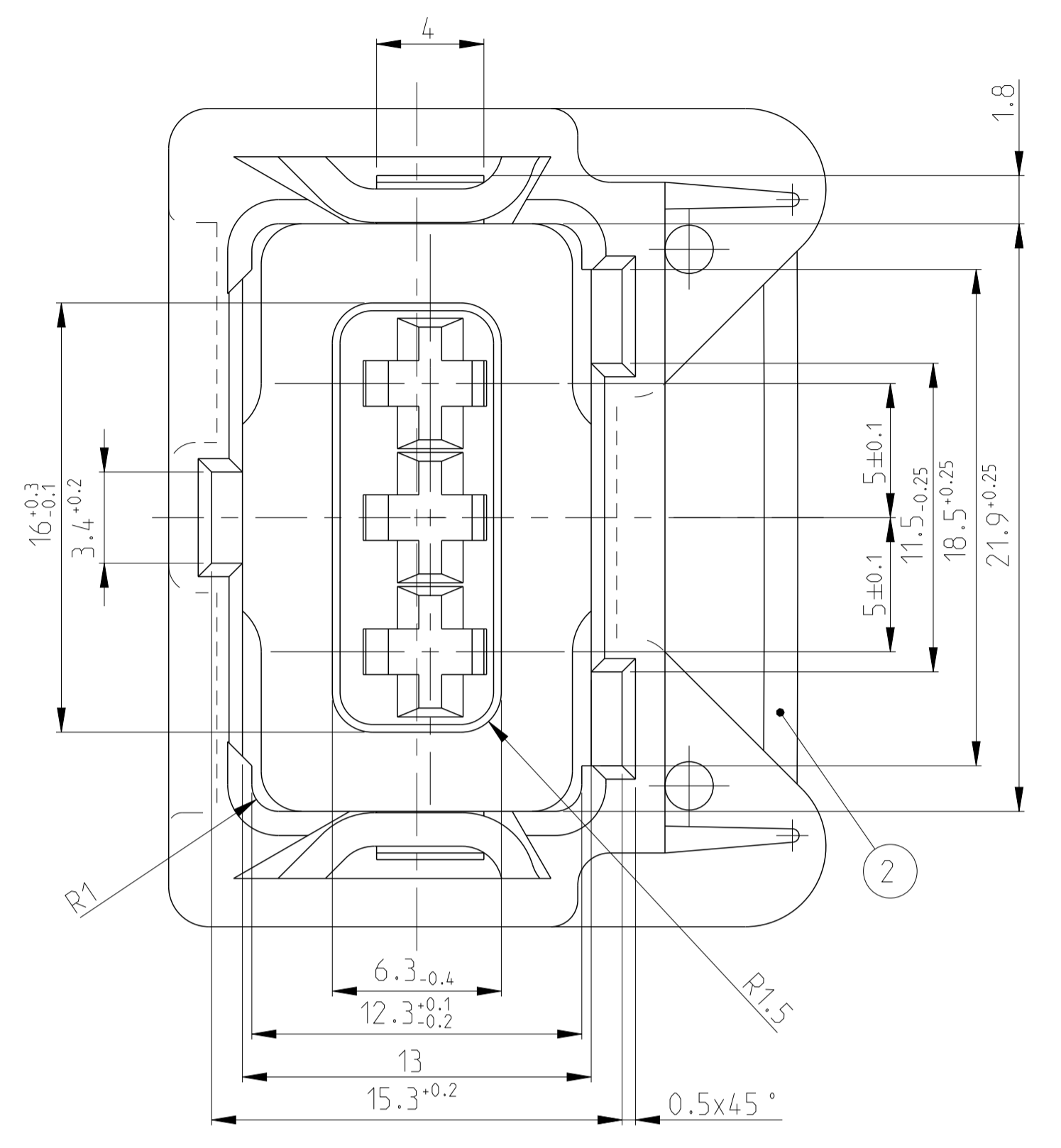
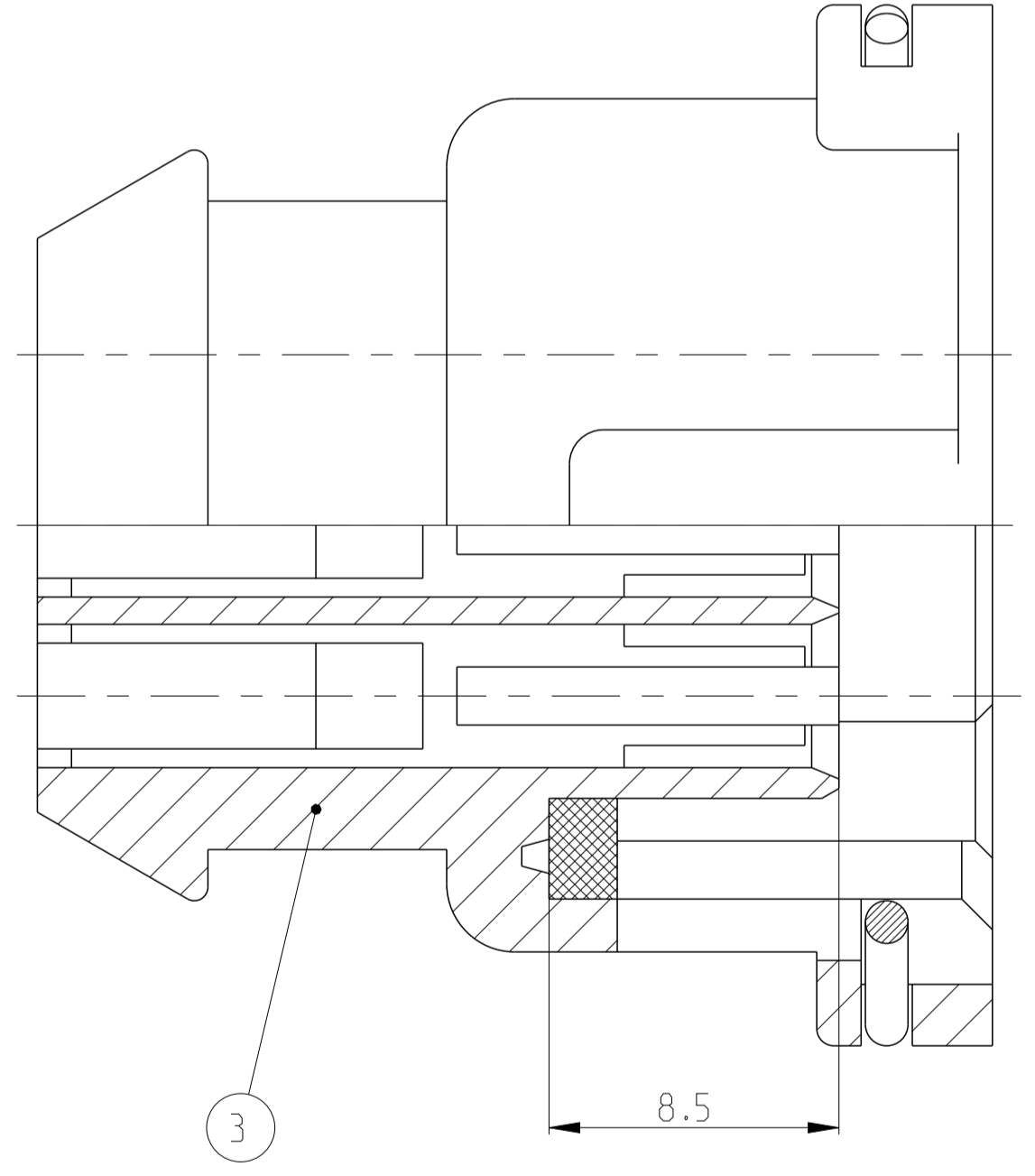
Schnitt SECTION A-A



Schnitt SECTION B-B



Schnitt SECTION C-C



REVISION	OB	OB	OB	OB	A	A	OB				
	SO	SO	SO	SO			SO				
X								3	3 POS. HOUSING	PA6.6 GV30	YELLOW
	X							3	3 POS. HOUSING	PA6.6 GV30	RED
		X						3	3 POS. HOUSING	PA6.6 GV30	GREEN
			X					3	3 POS. HOUSING	PA6.6 GV30	BLUE
				X				3	3 POS. HOUSING	PA6.6 GV30	BROWN
					X			3	3 POS. HOUSING	PA6.6 GV30	BLACK
						X		3	3 POS. HOUSING	PA6.6 GV30	GREY
							X	3	3 POS. HOUSING	PA6.6 GV30	WHITE
X	X	X	X	X	X	X	X	2	SPRING	SPRING STEEL WIRE Federstahl	PLAIN blank
X	X	X	X	X	X	X	X	1	SEALING	CR	BLACK
828748-8									ITEM NO.		
828748-7									Pos.		
828748-6									DESCRIPTION		
828748-5									MATERIAL		
828748-4									Werkstoff		
828748-3									COLOR		
828748-2									Farbe		
828748-1											

THIS DRAWING IS A CONTROLLED DOCUMENT. DIMENSIONS: mm. TOLERANCES UNLESS OTHERWISE SPECIFIED: ±0.3. MATERIAL: -.

DMN: Kowolik, R. 30JAN1987
 CHK: M. G. 10FEB1987
 APVD: Bleicher, M. 01SEP2006
 PRODUCT SPEC: -

NAME: ASSY OF 3 POS. HOUSING FOR JUNIOR (POWER) TIMER CONTACT

SIZE: A1 CAGE CODE: 00779 DRAWING NO: 828748 RESTRICTED TO: A3

SCALE: 5:1 SHEET: 1 OF 1 REV: A3

CUSTOMER DRAWING

单击下面可查看定价，库存，交付和生命周期等信息

[>>TE Connectivity\(泰科\)](#)