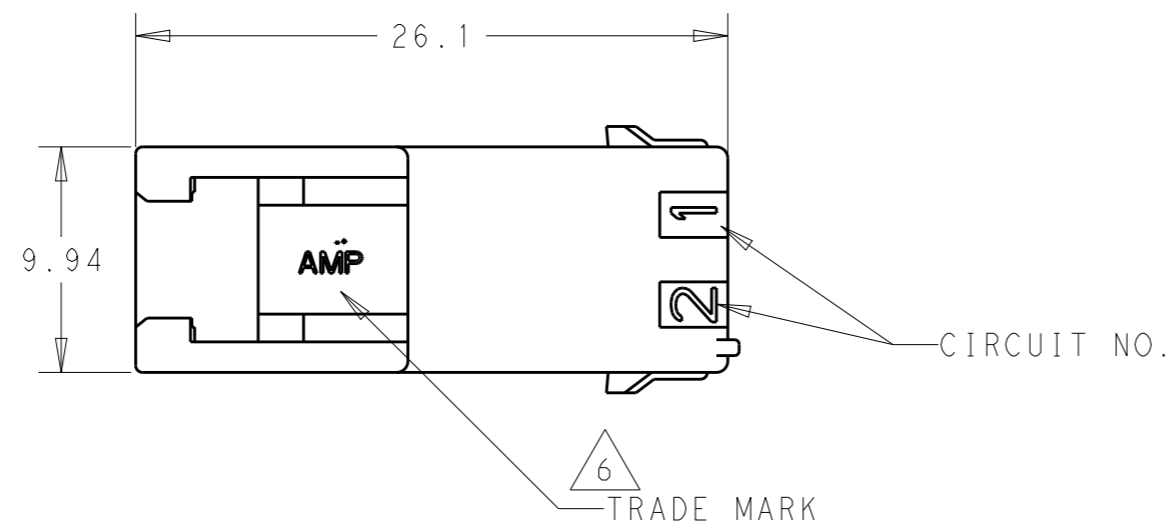
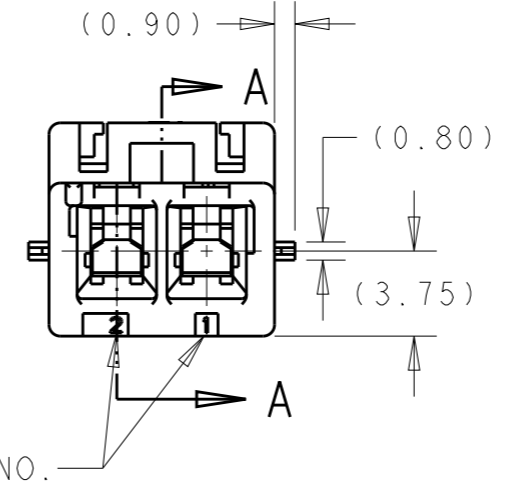
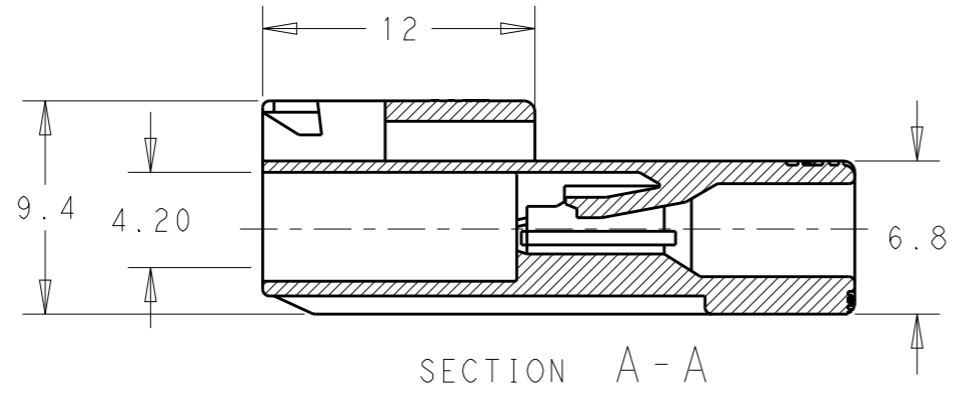
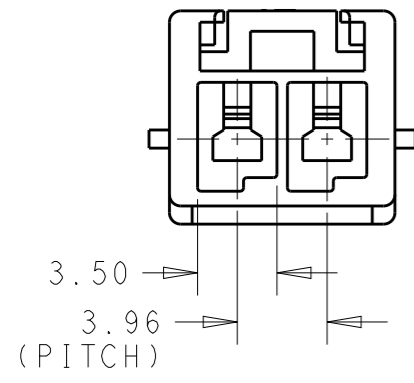


THIS DRAWING IS UNPUBLISHED. RELEASED FOR PUBLICATION 20
 © COPYRIGHT 20 BY - ALL RIGHTS RESERVED.

| REVISIONS | | | | | |
|-----------|-----|---------------------------|-----------|-----|------|
| P | LTR | DESCRIPTION | DATE | DWN | APVD |
| | D4 | REVISED PER ECR-19-017851 | 28NOV2019 | SM | DZ |
| | | | | | |
| | | | | | |



- NOTES:
- 1 APPLICABLE CONTACT P/N
 TAB CONTACT: 177917-□ (#20-#16AWG)
 177916-□ (#26-#22AWG)
 - 2 MATING CONN. P/N
 PLUG HSG: 177898-□
 REC CONTACT: 177915-□ (#20-#16AWG)
 177914-□ (#26-#22AWG)
 - 3 APPLICABLE PLATE P/N: 177918-□
 - 4 INSTRUCTION SHEET: 411-5638
 - 5 SEE TABLE 1
 - 6 ALL PARTS MEET RTI ELECTRICAL RATING OF 150C ACCORDING TO UL 1977.
 - 7 PART 5-179463-1 COMPLY WITH GLOW WIRE REQUIREMENT FOR PARTS OF NON-METALLIC MATERIAL SUPPORTING A CURRENT-CARRYING CONNECTION DETAILED IN IEC 60335-1, SECTION 30(GWT)




| | | |
|-----|---------|-------------|
| 2 | NATURAL | 5-179463-1 |
| 2 | BLACK | 179463-9 |
| 2 | BLUE | 179463-6 |
| 2 | GREEN | 179463-5 |
| 2 | YELLOW | 179463-4 |
| 2 | RED | 179463-2 |
| 2 | NATURAL | 179463-1 |
| POS | COLOR | PART NUMBER |

5 TABLE 1

| TRADE MARK | MANUFACTURING PLACE |
|--------------|---------------------|
| - AMP OR AMP | JAPAN |
| -+AMP OR AMP | CHINA (PRC) |
| + AMP OR AMP | KOREA |

THIS DRAWING IS A CONTROLLED DOCUMENT.

| | | | | | | | |
|-------------------------------------|--|------------------------------|-------------|--------------|--------------------|------------------------|---------------|
| DWN M. SUZUKI 23MAR1994 |  TE Connectivity NAME AMP POWER DBL LOCK CONN 3.96mm PITCH (SGL ROW) 2 Pos CAP HOUSING(F/H) | | | | | | |
| CHK M. SHINDO 25MAR1994 | | | | | | | |
| APVD Y. KASHIWA 25MAR1994 | | | | | | | |
| PRODUCT SPEC 108-5410 | | | | | | | |
| MATERIAL 6/6 NYLON (UL 94V-0) | FINISH - | APPLICATION SPEC 114-5175 | WEIGHT - | SIZE A3 | CAGE CODE 00779 | DRAWING NO C-179463 | RESTRICTED TO |
| CUSTOMER DRAWING | | | | SCALE 3:1 | SHEET 1 OF 1 | REV D4 | |

单击下面可查看定价，库存，交付和生命周期等信息

[>>TE Connectivity\(泰科\)](#)