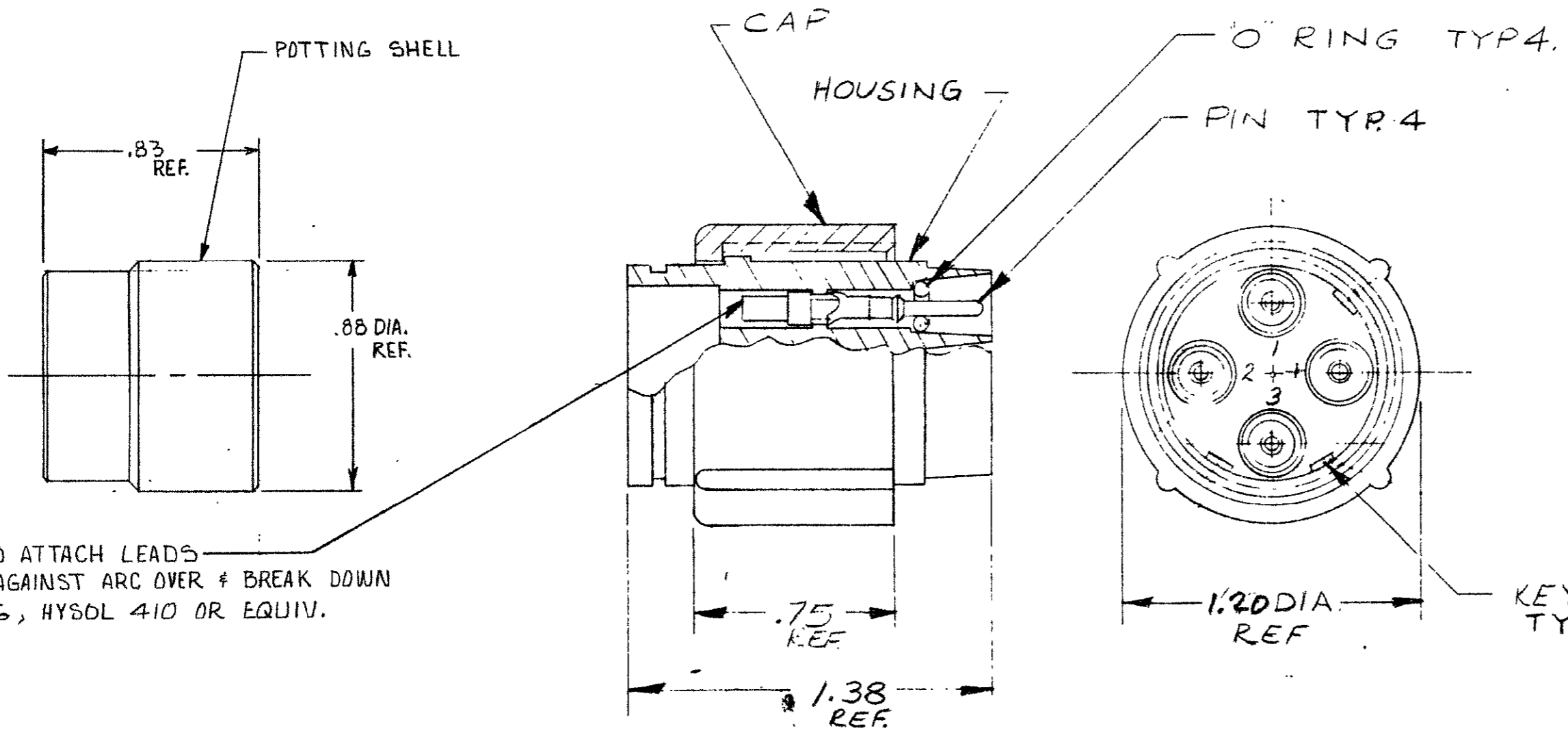


© 1976 BY AMP INCORPORATED. ALL RIGHTS RESERVED. AMP PRODUCTS COVERED BY PATENTS AND/OR PATENTS PENDING.

Unpublished copy not to be reproduced or published without written permission of AMP Incorporated.

THIS PRODUCT DESIGNED AND BUILT BY AMP INCORPORATED. NO LICENSE TO USE THAT DESIGN IN MANUFACTURE, OR TO USE ANY ISSUED OR PENDING PATENTS WHICH ARE INVOLVED, IS IMPLIED.

REVISIONS				
ZONE	LTR	DESCRIPTION	DATE	APPROVED
A		REV PER 01114-0120-04	CT 10-04	CT



CUSTOMER TO ATTACH LEADS & PROTECT AGAINST ARC OVER & BREAK DOWN BY POTTING, HYSOL 410 OR EQUIV.

- NOTE:
1. MARKING, WHITE.
  2. #16 GA. PINS. GOLD PLATED PER MIL-G-45204, TYPE II. .00005 THK. FIN.
  3. PLUG & PINS SHIPPED SEPARATELY.
  4. TYPE II PINS TO ACCEPT (1) 22 AWG (1) 20 AWG, OR (1) 24 AWG STRANDED WIRE.
  5. TYPE II PINS TO ACCEPT (1) 16 AWG, OR 18 AWG STRANDED WIRE.
  6. TO REMOVE PINS USE EXTRACTION TOOL NO. 860751-1
  7. TYPE II PINS TO ACCEPT ONE (1) 14 AWG STRANDED WIRE.

AMP P/N	WIRE SIZE RANGE	HAND TOOL
863022-1	20,22,24	45099
863022-2	16,18	45098
863022-3	14	45098

QTY REQD	QTY REQD	ITEM NO.	DWG SIZE	PART OR IDENTIFYING NO.	NOMENCLATURE OR DESCRIPTION	SYMBOL
-2	-1				PARTS LIST	
UNLESS OTHERWISE SPECIFIED: DIMENSIONS ARE IN INCHES TOLERANCES				CONTRACT NO.		
.00 ±				DR DICK STONE 3-1-76		
.000 ±				CHK		
MATERIAL: MOLDED PLASTIC				APPD <i>W. Gardner</i> 3/3/76		
FINISH: BLACK				APPD		
NEXT ASSY				DSGN APPD		
FINAL ASSY				OTHER APPD		
NEXT ASSY				SIZE C		
USED ON				CODE IDENT NO. 00779		
APPLICATION				NUMBER 863022		
				SCALE NONE		
				WT		
				SHEET 10/11		



AMP INCORPORATED  
CAPITRON DIVISION  
ELIZABETHTOWN, PENNSYLVANIA

NAME  
**PLUG ASS'Y.  
4 PIN.**

LGH:

单击下面可查看定价，库存，交付和生命周期等信息

[>>TE Connectivity\(泰科\)](#)