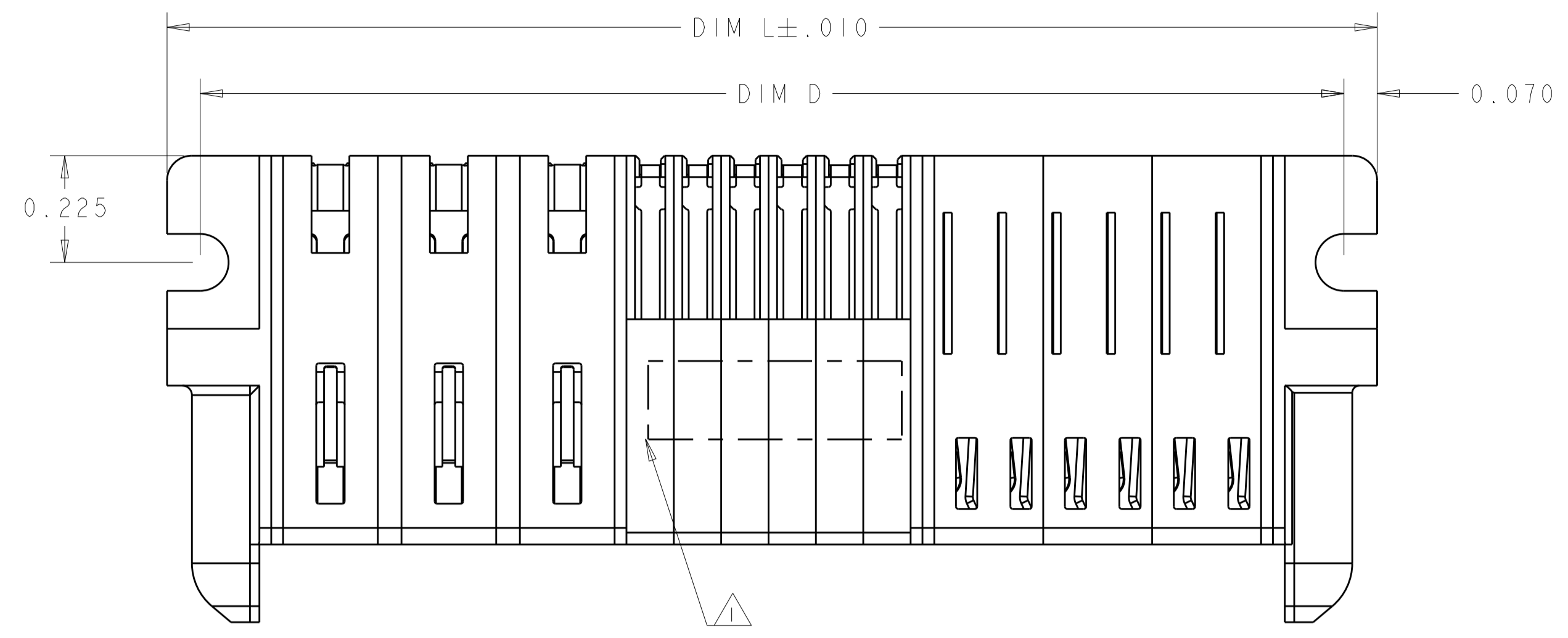
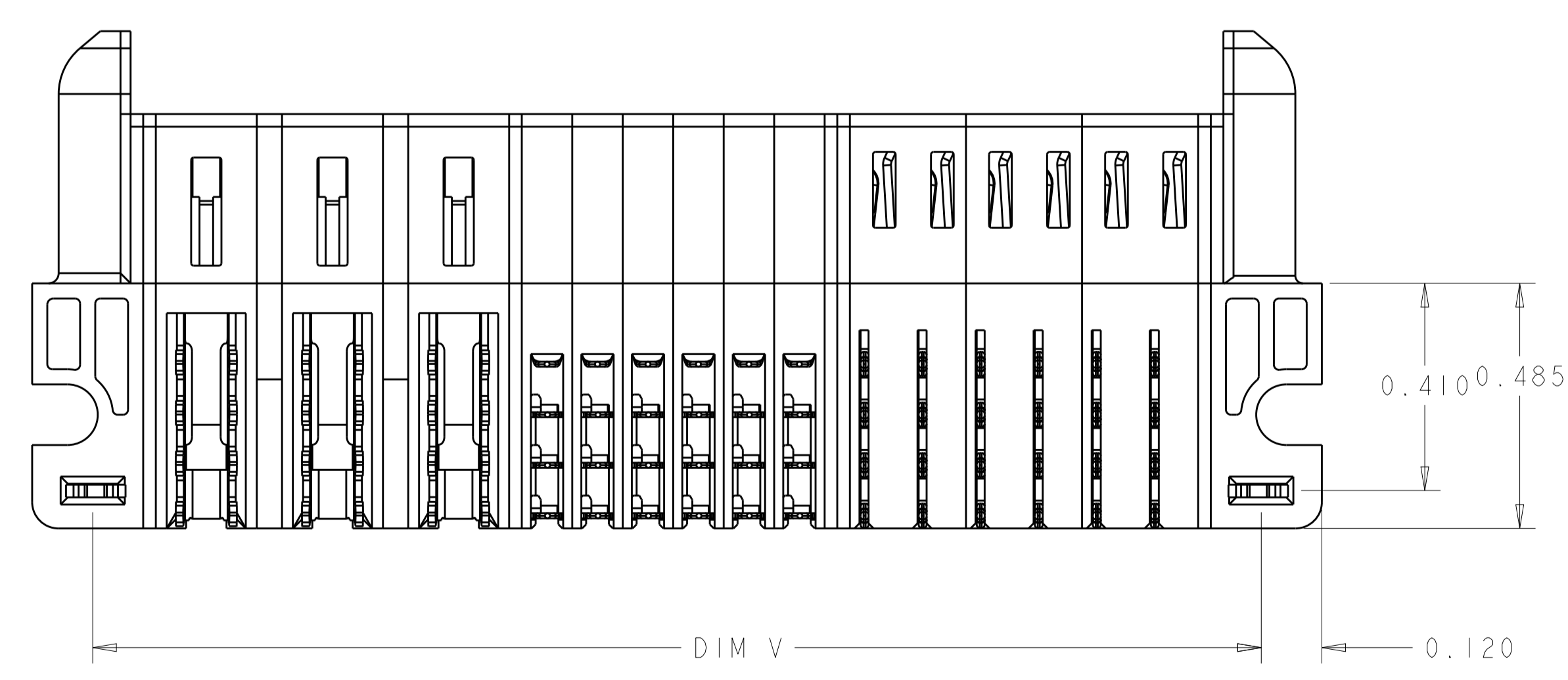
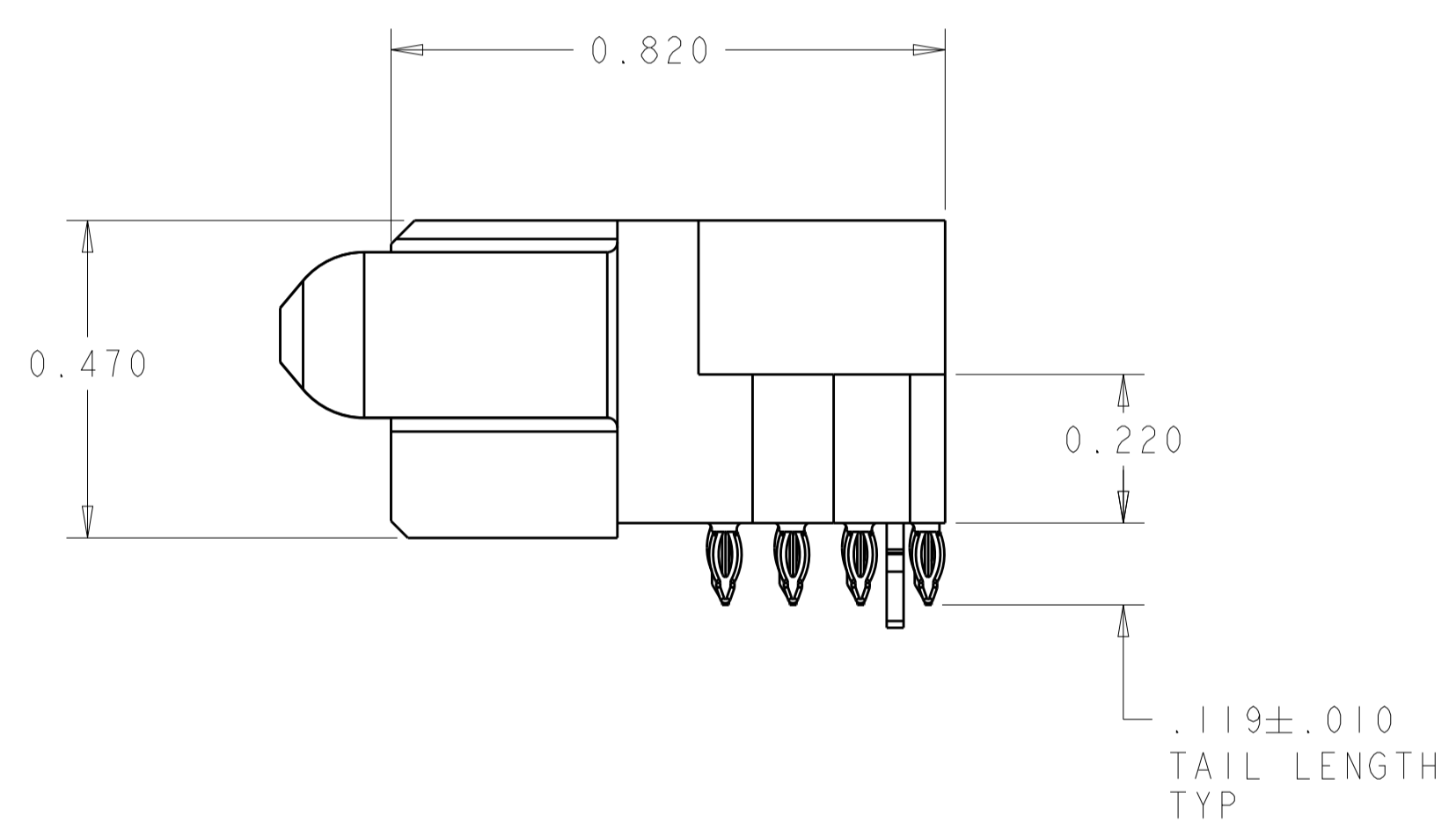
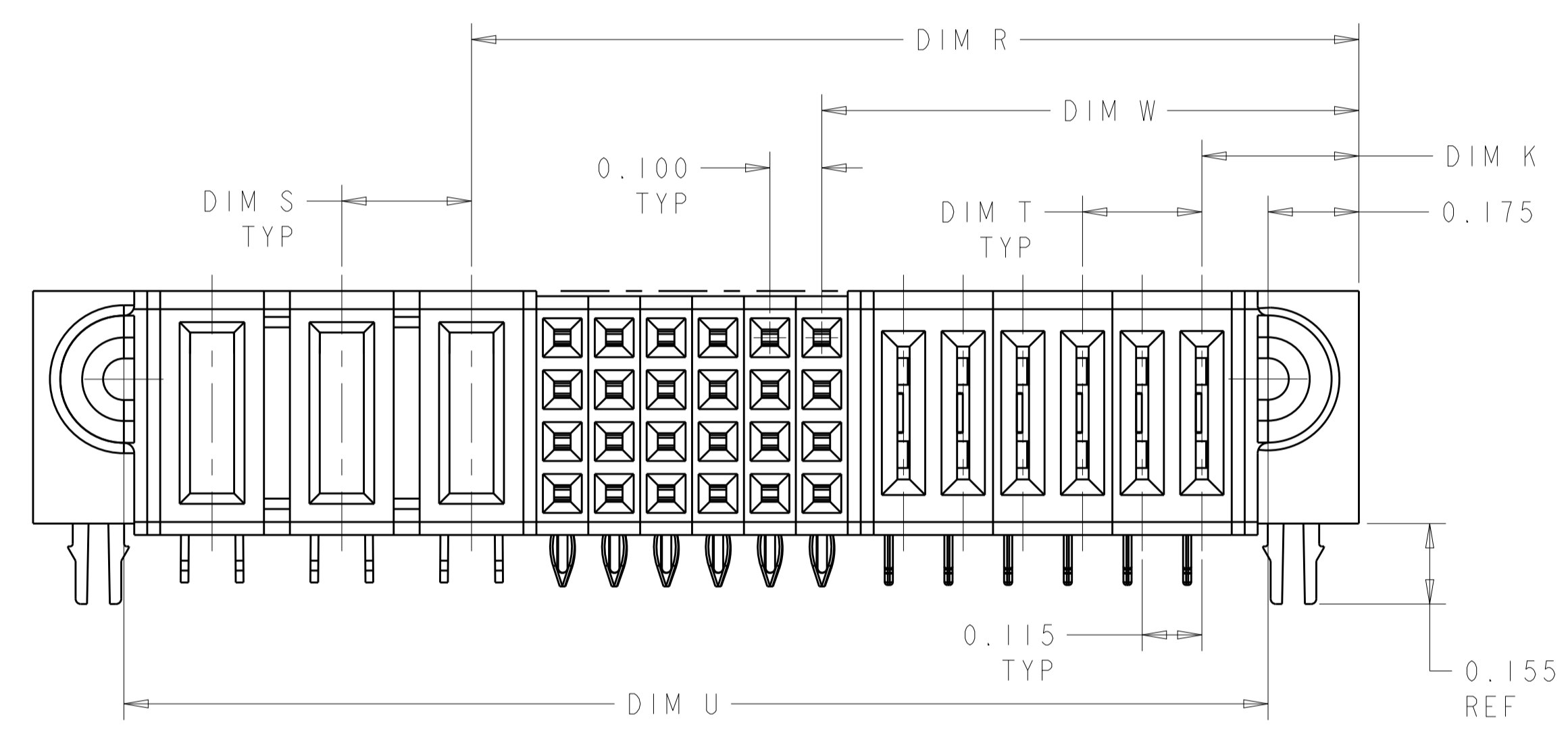


LOC	DIST	REV	DATE	BY	APPV
ES	00	F5			



- ① "AMP", PART NUMBER, AND DATE CODE TO BE MARKED IN AREA SHOWN PARTS UNDER 2.000 MAY BE MARKED ON BOTH SIDES.
- ② MATERIAL: HOUSING - GLASS FILLED HIGH TEMP THERMO PLASTIC, UL94 V-O  
SIGNAL CONTACT - COPPER ALLOY  
POWER CONTACT - HIGH CONDUCTIVITY COPPER ALLOY
- ③ CONTACT PLATING: NOBLE METAL PLATING ON CONTACT FUNCTIONAL AREA OF POWER AND SIGNAL CONTACTS
- ④ MECHANICAL CONNECTOR KEEP OUT ZONE
- ⑤ DATUM AND BASIC DIMENSIONS ESTABLISHED BY CUSTOMER
- ⑥ PCB - ALL HOLE DIAMETERS ARE FINISHED HOLE SIZES
- ⑦ PCB - .0453 ±.0010 DRILLED HOLE PLATED WITH .0003 MIN Sn OVER .001-.003 PLATING TO ACHIEVE A .040 HOLE
- ⑧ FOR P/S/P, P/S/LP CONFIGURATION, PLEASE REFER TO SHEET 2
- ⑨ CONTACTS LUBRICATED WITH HMI5 AFTER PLATING.



.240	.165	1.980	2.080	1.870	2.220	1.4225	.990	.2775	3LP + 16S + 4LP	2-6450880-7
.250	.250	1.750	1.850	1.640	1.990	1.345	.845	.395	2P + 16S + 2P	2-6450880-6
.230	.250	-	5.595	5.385	5.735	4.6025	3.345	.370	12P + 48S + 12LP	2-6450880-3
-	-	.880	.980	.770	1.120	.8425	.435	.2775	1LP + 16S + 1LP	2-6450880-0
.200	.200	2.350	2.450	2.240	2.590	1.670	1.095	.320	4HDP + 20S + 4HDP	1-6450880-9
.250	.250	3.900	4.000	3.790	4.140	2.820	1.520	.320	5P + 48S + 5P	1-6450880-8
.250	.250	3.300	3.400	3.190	3.540	2.195	1.520	.345	5P + 24S + 5P	1-6450880-7
.250	.250	1.750	1.850	1.640	1.990	1.370	.845	.370	2P + 16S + 2P	1-6450880-5
.250	.250	6.000	6.100	5.890	6.240	4.145	2.270	.345	8P + 72S + 8P	1-6450880-1
-	-	.600	.700	.490	.840	-	.270	-	16S	1-6450880-0
.230	.250	5.495	5.595	5.385	5.735	4.6025	3.345	.370	12P+ 48S+ 8LP	6450880-8
.250	.250	4.400	4.500	4.290	4.640	2.545	2.270	.345	8P + 8S + 8P	6450880-7
.230	-	1.190	1.290	1.080	1.430	-	1.060	.3775	6LP + 8S	6450880-6
-	-	1.475	1.575	1.365	1.715	1.320	.595	.370	1P + 24S + 1P	6450880-5
.230	.250	-	5.595	5.385	5.735	4.6025	3.345	.370	12P+ 48S + 8LP	6450880-4
.300	.200	5.150	5.250	5.040	5.390	2.845	1.520	.370	4ACP + 48S + 12HDP	6450880-3
.230	.250	2.315	2.415	2.205	2.555	1.710	1.035	.3025	6LP + 24S + 3P	6450880-1
DIM T	DIM S	DIM V	DIM D	DIM U	DIM L	DIM R	DIM W	DIM K	DESCRIPTION	PART NUMBER

THIS DRAWING IS A CONTROLLED DOCUMENT.

APPROVED: S. ZHAO 25MAY2007

DESIGNED: S. ZHAO 25MAY2007

DIMENSIONS: INCHES

TOLERANCES UNLESS OTHERWISE SPECIFIED:

0 PLC	±.01
1 PLC	±.01
2 PLC	±.01
3 PLC	±.005
4 PLC	±.002
ANGLES	±.002

MATERIAL: ②

FINISH: -

PRODUCT SPEC: 108-2292

APPLICATION SPEC: 114-13251

WEIGHT: -

CUSTOMER DRAWING

SCALE: 4:1

SHEET 13 OF 13

REV F5

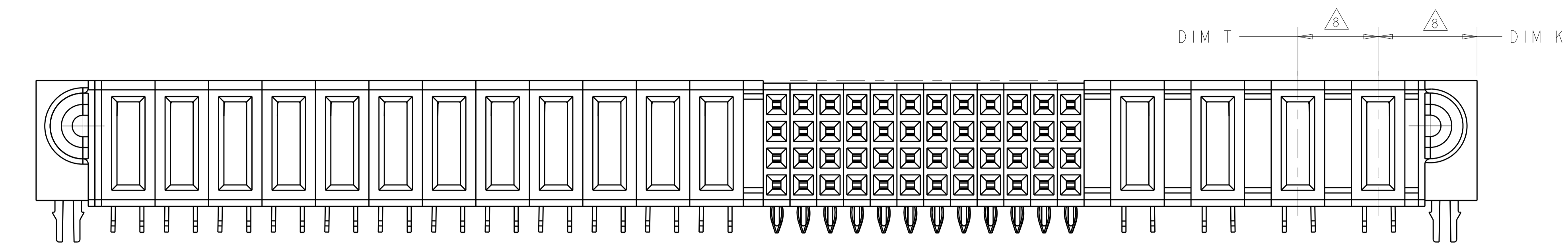
STE TE Connectivity

RIGHT ANGLE RECEPTACLE WITH LP CONTACT AND SHORT END MODULES MULTI-BEAM XLE

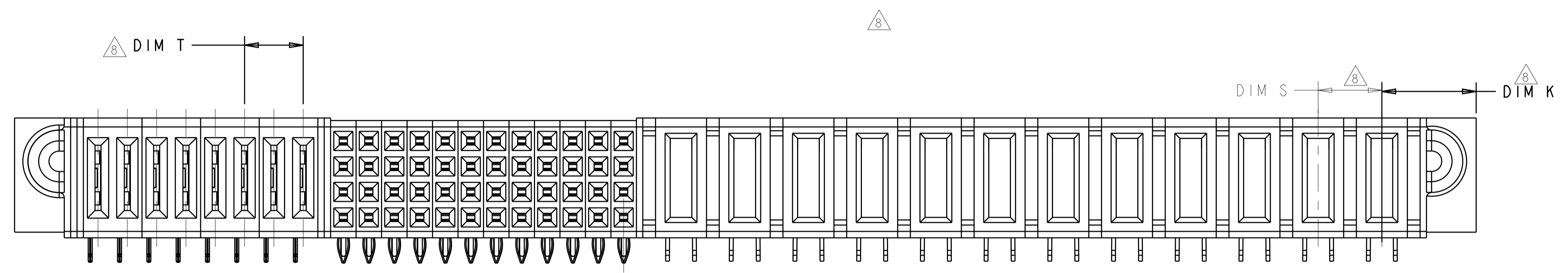
SIZE: A100779

CAGE CODE: 6450880

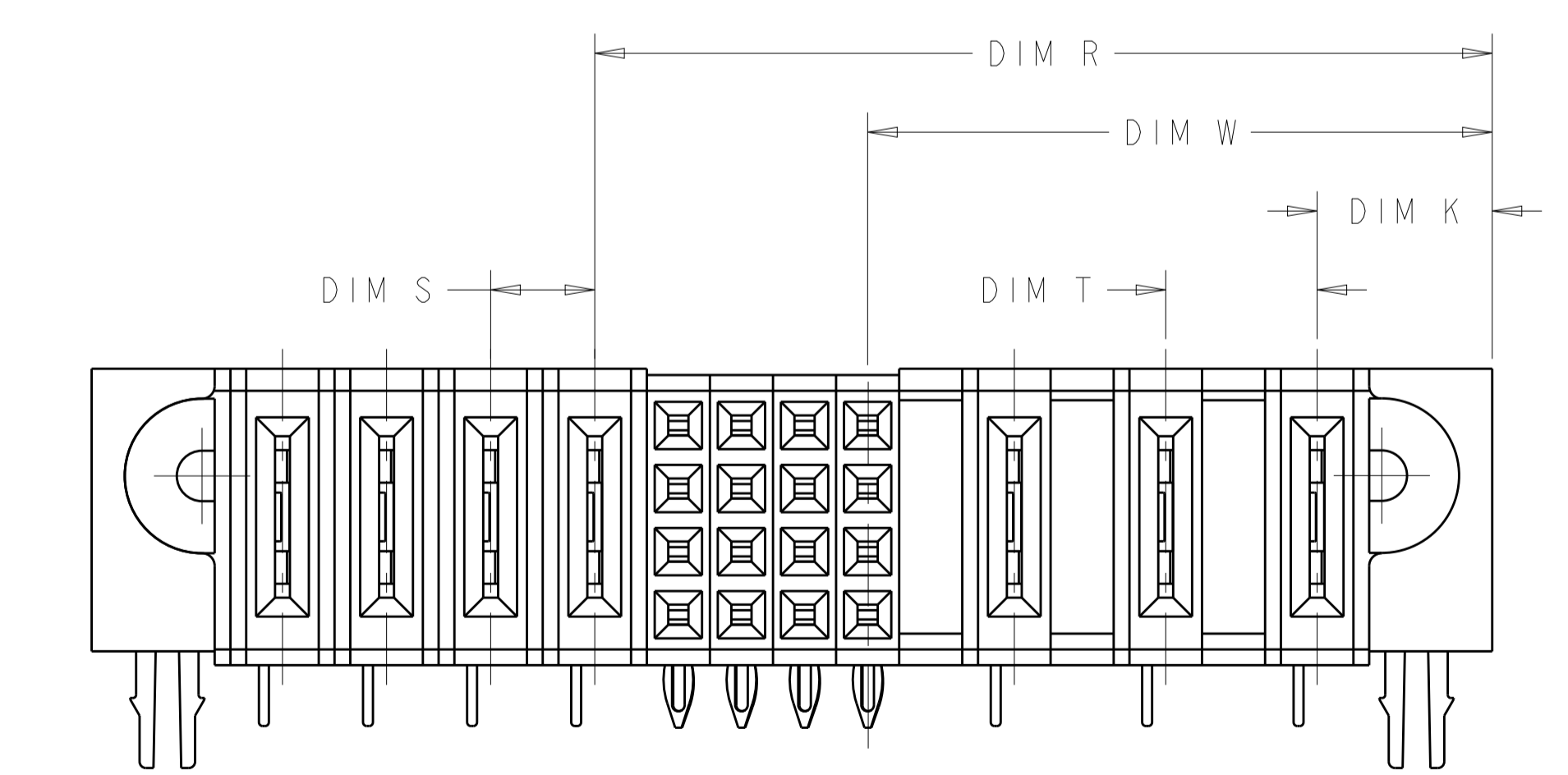
LOC		DIST		REVISIONS			
ES	00	P	LTN	DESCRIPTION	DATE	DWN	APVD
		-		SEE SHEET 1	-	-	-



PART NUMBER 6450880-3  
 UNSPECIFIED DIM REFER TO SHEET 1  
 SCALE 7:2



PART NUMBER 6450880-4, 2-6450880-3  
 UNSPECIFIED DIM REFER TO SHEET 1  
 SCALE 7:2

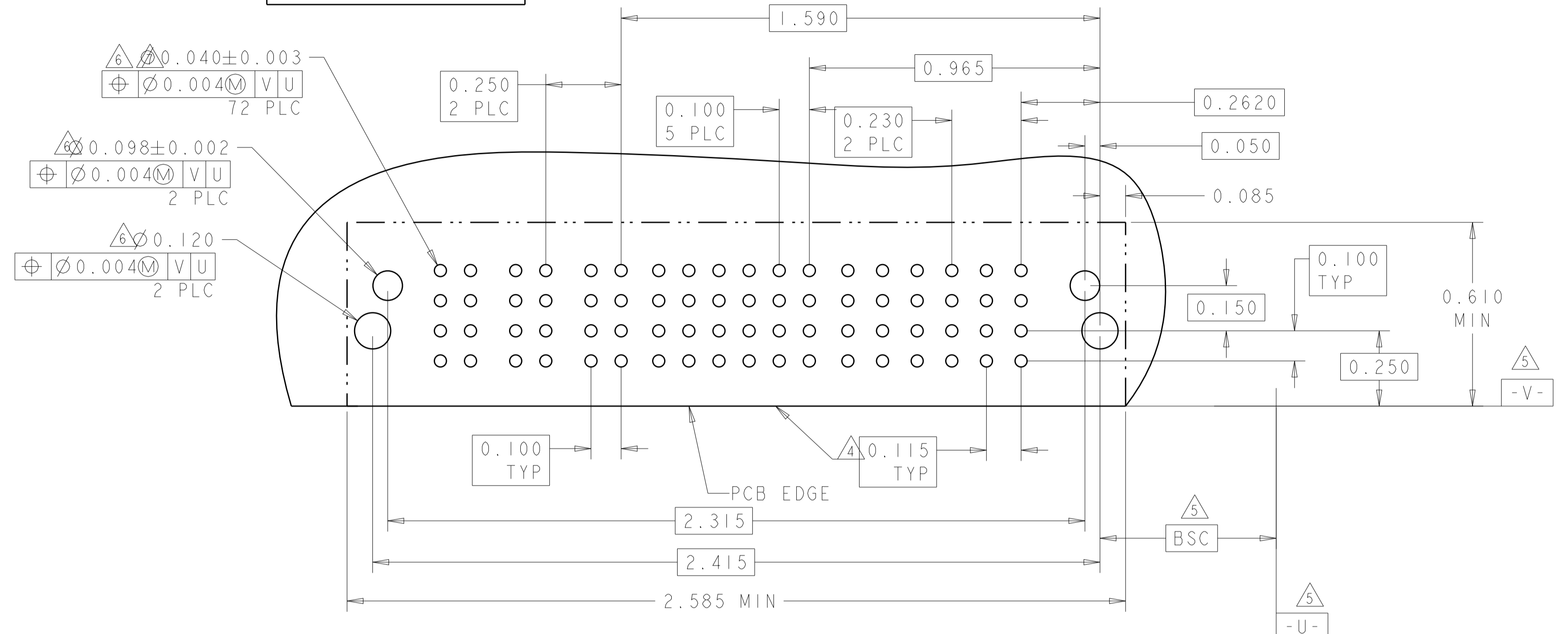


PART NUMBER 2-6450880-0, 2-6450880-7  
 UNSPECIFIED DIM REFER TO SHEET 1  
 FOR CONFIGURATION LP/S/LP

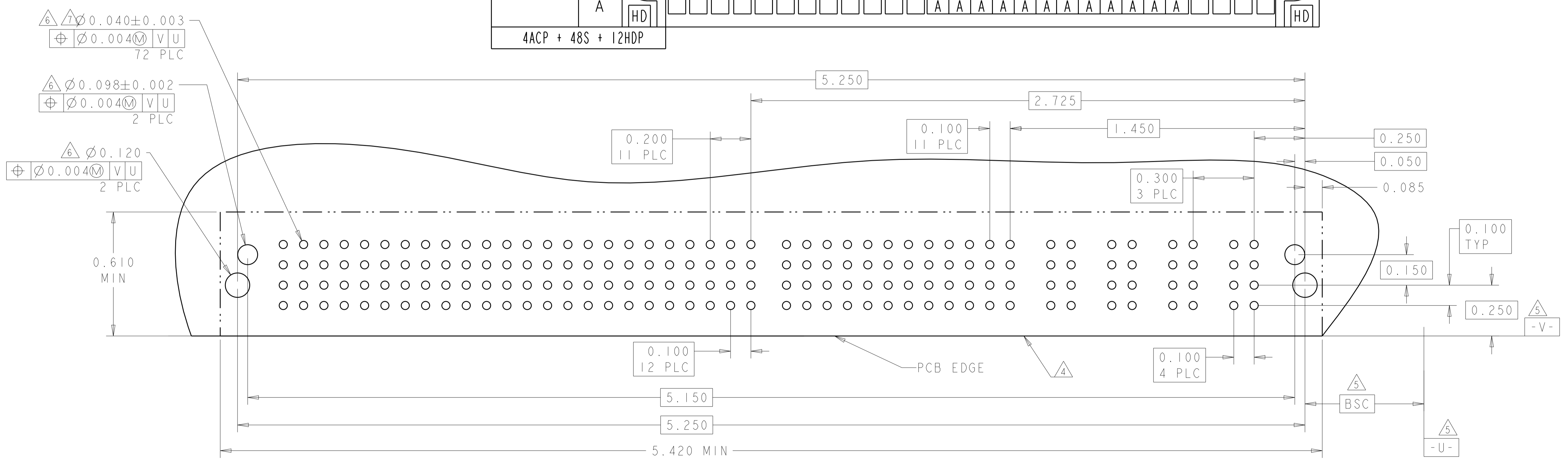
THIS DRAWING IS A CONTROLLED DOCUMENT.		DWN S. ZHAO 25MAY2007	
DIMENSIONS: INCHES		CHK S. ZHAO 25MAY2007	
		APVD S. ZHAO 25MAY2007	
TOLERANCES UNLESS OTHERWISE SPECIFIED: 0 PLC ±.1 1 PLC ±.01 2 PLC ±.01 3 PLC ±.005 4 PLC ±.0020 ANGLES ±.2° FINISH -		PRODUCT SPEC 108-2292 APPLICATION SPEC 114-13251 WEIGHT - CUSTOMER DRAWING	
MATERIAL -		NAME RIGHT ANGLE RECEPTACLE WITH LP CONTACT AND SHORT END MODULES MULTI-BEAM XLE	RESTRICTED TO -
SCALE 4:1		SIZE A1	CAGE CODE 00779
SHEET 2 OF 13		DRAWING NO. 6450880	
REV F5			

LOC	DIST	REVISIONS			
ES	00	REV	DATE	BY	APPV
		1	SEE SHEET 1		

PART NUMBER	ROWS	POWER						SIGNAL						POWER														
		P3	P2	P1	6	5	4	3	2	1	LP6	LP5	LP4	LP3	LP2	LP1	LP6	LP5	LP4	LP3	LP2	LP1						
6450880-1	D C B A	[Diagram showing contact layout for part 6450880-1]																										
		RP	RS	RS	D	D	D	D	D	D	D	D	D	D	D	D	D	D	D	D	D	LS	LS	LS	LS	LS	LS	
					C	C	C	C	C	C	C	C	C	C	C	C	C	C	C	C	C	C	LS	LS	LS	LS	LS	LS
					B	B	B	B	B	B	B	B	B	B	B	B	B	B	B	B	B	B	LS	LS	LS	LS	LS	LS
			A	A	A	A	A	A	A	A	A	A	A	A	A	A	A	A	A	A	LS	LS	LS	LS	LS	LS		
6LP + 24S + 3P																												



PART NUMBER	ROWS	POWER												SIGNAL												POWER									
		P16	P15	P14	P13	P12	P11	P10	P9	P8	P7	P6	P5	12	11	10	9	8	7	6	5	4	3	2	1	P4	P3	P2	P1						
6450880-3	D C B A	[Diagram showing contact layout for part 6450880-3]																																	
		RS	RS	RS	RS	RS	RS	RS	RS	RS	RS	RS	RS	D	D	D	D	D	D	D	D	D	D	D	D	D	D	D	D	D	D	RS	RS	RS	RS
														C	C	C	C	C	C	C	C	C	C	C	C	C	C	C	C	C	C	C	C	C	
														B	B	B	B	B	B	B	B	B	B	B	B	B	B	B	B	B	B	B	B	B	B
												A	A	A	A	A	A	A	A	A	A	A	A	A	A	A	A	A	A	A	A	A	A		
4ACP + 48S + 12HDP																																			



SIGNAL CONTACT ROW D	D
SIGNAL CONTACT ROW C	C
SIGNAL CONTACT ROW B	B
SIGNAL CONTACT ROW A	A
STD LP CONTACT	LS
MFBL POWER CONTACT	RP
STD POWER CONTACT	RS
DESCRIPTION	CODE

THIS DRAWING IS A CONTROLLED DOCUMENT.

DIMENSIONS:	TOLERANCES UNLESS OTHERWISE SPECIFIED:	OWN	S. ZHAO	25MAY2007
INCHES	0 PLC ±.1	CHK	S. ZHAO	25MAY2007
	1 PLC ±.01	APPV	S. ZHAO	25MAY2007
	2 PLC ±.01	PRODUCT SPEC		
	3 PLC ±.005	108-2292		
	4 PLC ±.002	APPLICATION SPEC		
	ANGLES ±.020	114-13251		
MATERIAL	FINISH	WEIGHT	A100779C=6450880	
CUSTOMER DRAWING		SCALE	4:1	SHEET 3 OF 13 REV F5

TE Connectivity

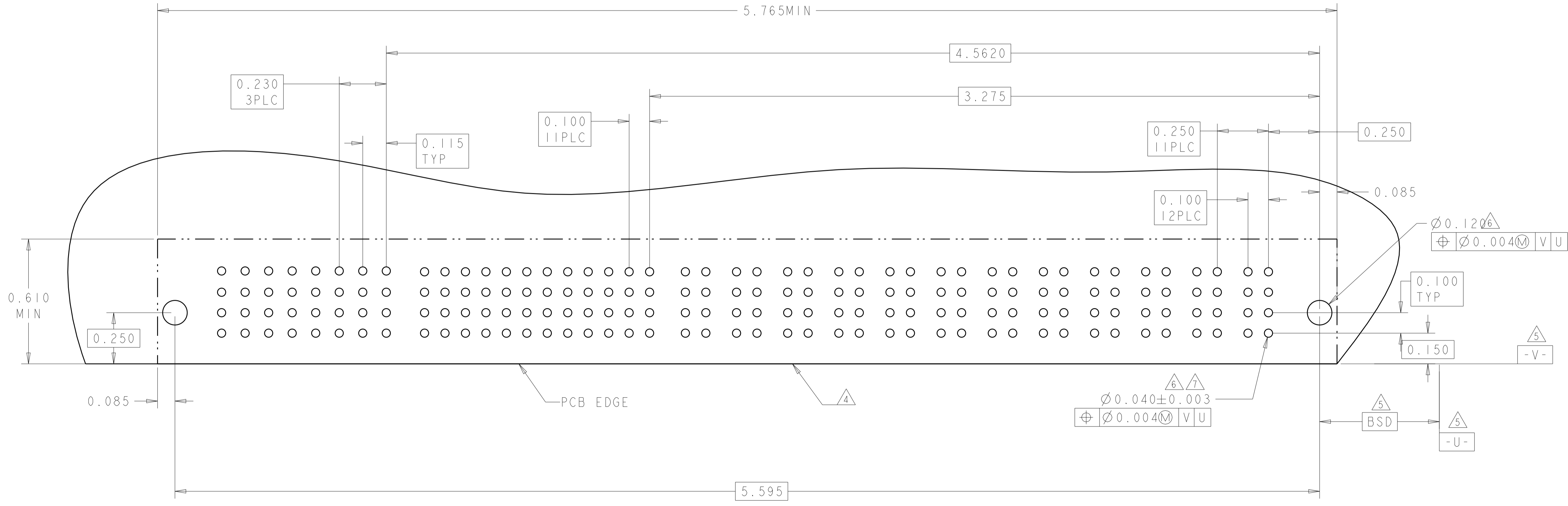
RIGHT ANGLE RECEPTACLE WITH LP CONTACT AND SHORT END MODULES MULTI-BEAM XLE

LOC		DIST		REVISIONS			
ES	00	P	LTN	DESCRIPTION	DATE	DMN	APVD
		-		SEE SHEET 1			

PART NUMBER	ROWS	POWER								SIGNAL												POWER											
		LP8	LP7	LP6	LP5	LP4	LP3	LP2	LP1	I2	I1	I0	9	8	7	6	5	4	3	2	1	PI2	PI1	PI0	P9	P8	P7	P6	P5	P4	P3	P2	PI
6450880-4	D									D	D	D	D	D	D	D	D	D	D	D	D	RS	RS	RS	RS	RS	RS	RS	RS	RS	RS	RS	
	C	LS	LS	LS	LS	LS	LS	LS	LS	C	C	C	C	C	C	C	C	C	C	C	C	RS	RS	RS	RS	RS	RS	RS	RS	RS	RS	RS	
	B									B	B	B	B	B	B	B	B	B	B	B	B												
	A									A	A	A	A	A	A	A	A	A	A	A	A												
		12P + 48S + 8LP																															

PART NUMBER	ROWS	POWER								SIGNAL												POWER											
		LP8	LP7	LP6	LP5	LP4	LP3	LP2	LP1	I2	I1	I0	9	8	7	6	5	4	3	2	1	PI2	PI1	PI0	P9	P8	P7	P6	P5	P4	P3	P2	PI
6450880-8	D									D	D	D	D	D	D	D	D	D	D	D	D	RS	RS	RS	RS	RS	RS	RS	RS	RS	RS	RS	
	C	LS	LS	LS	LS	LS	LS	LS	LS	C	C	C	C	C	C	C	C	C	C	C	C	RS	RS	RS	RS	RS	RS	RS	RS	RS	RS	RS	
	B									B	B	B	B	B	B	B	B	B	B	B	B												
	A									A	A	A	A	A	A	A	A	A	A	A	A												
		12P + 48S + 8LP																															

PART NUMBER	ROWS	POWER								SIGNAL												POWER											
		LP8	LP7	LP6	LP5	LP4	LP3	LP2	LP1	I2	I1	I0	9	8	7	6	5	4	3	2	1	PI2	PI1	PI0	P9	P8	P7	P6	P5	P4	P3	P2	PI
2-6450880-3	D									D	D	D	D	D	D	D	D	D	D	D	D	RS	RS	RS	RS	RS	RS	RS	RS	RS	RS	RS	
	C	LS	LS	LS	LS	LS	LS	LS	LS	C	C	C	C	C	C	C	C	C	C	C	C	RS	RS	RS	RS	RS	RS	RS	RS	RS	RS	RS	
	B									B	B	B	B	B	B	B	B	B	B	B	B												
	A									A	A	A	A	A	A	A	A	A	A	A	A												
		12P + 48S + 8LP																															



PCB LAYOUT FOR P/N: 6450880-4 ; 6450880-8 AND 2-6450880-3

THIS DRAWING IS A CONTROLLED DOCUMENT.		DMN S. ZHAO 25MAY2007	TE Connectivity
DIMENSIONS: INCHES		CHK S. ZHAO 25MAY2007	
TOLERANCES UNLESS OTHERWISE SPECIFIED:		APVD S. ZHAO 25MAY2007	NAME: RIGHT ANGLE RECEPTACLE WITH LP CONTACT AND SHORT END MODULES MULTI-BEAM XLE PRODUCT SPEC: 108-2292 APPLICATION SPEC: 114-13251 WEIGHT: - CUSTOMER DRAWING
0 PLC ±.1 2 PLC ±.01 3 PLC ±.005 4 PLC ±.0020 ANGLES ±.0020 FINISH		NAME: 108-2292 APPLICATION SPEC: 114-13251 WEIGHT: - CUSTOMER DRAWING	
MATERIAL: -		SCALE: 4:1	SHEET 4 OF 13 REV F5

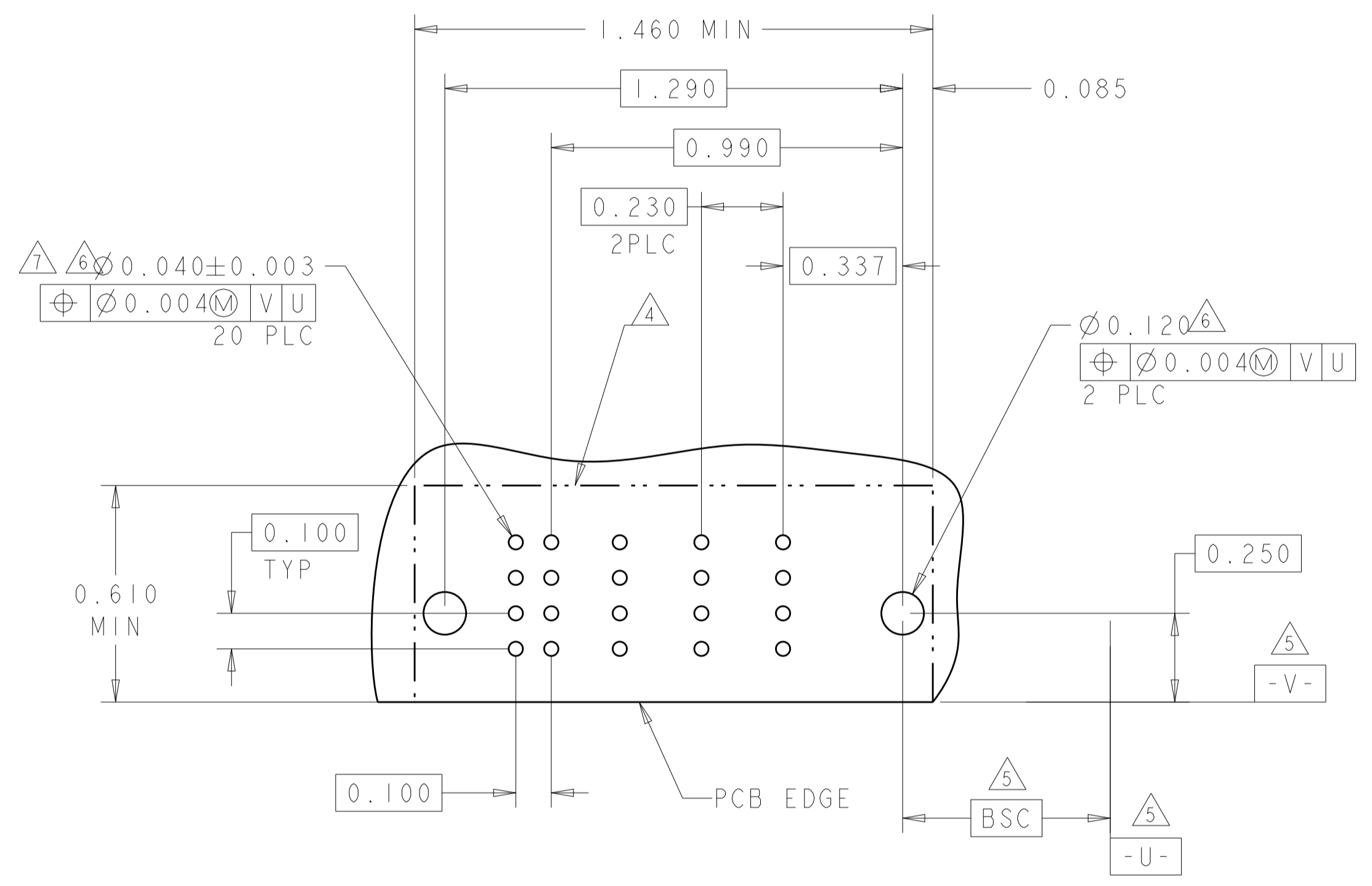
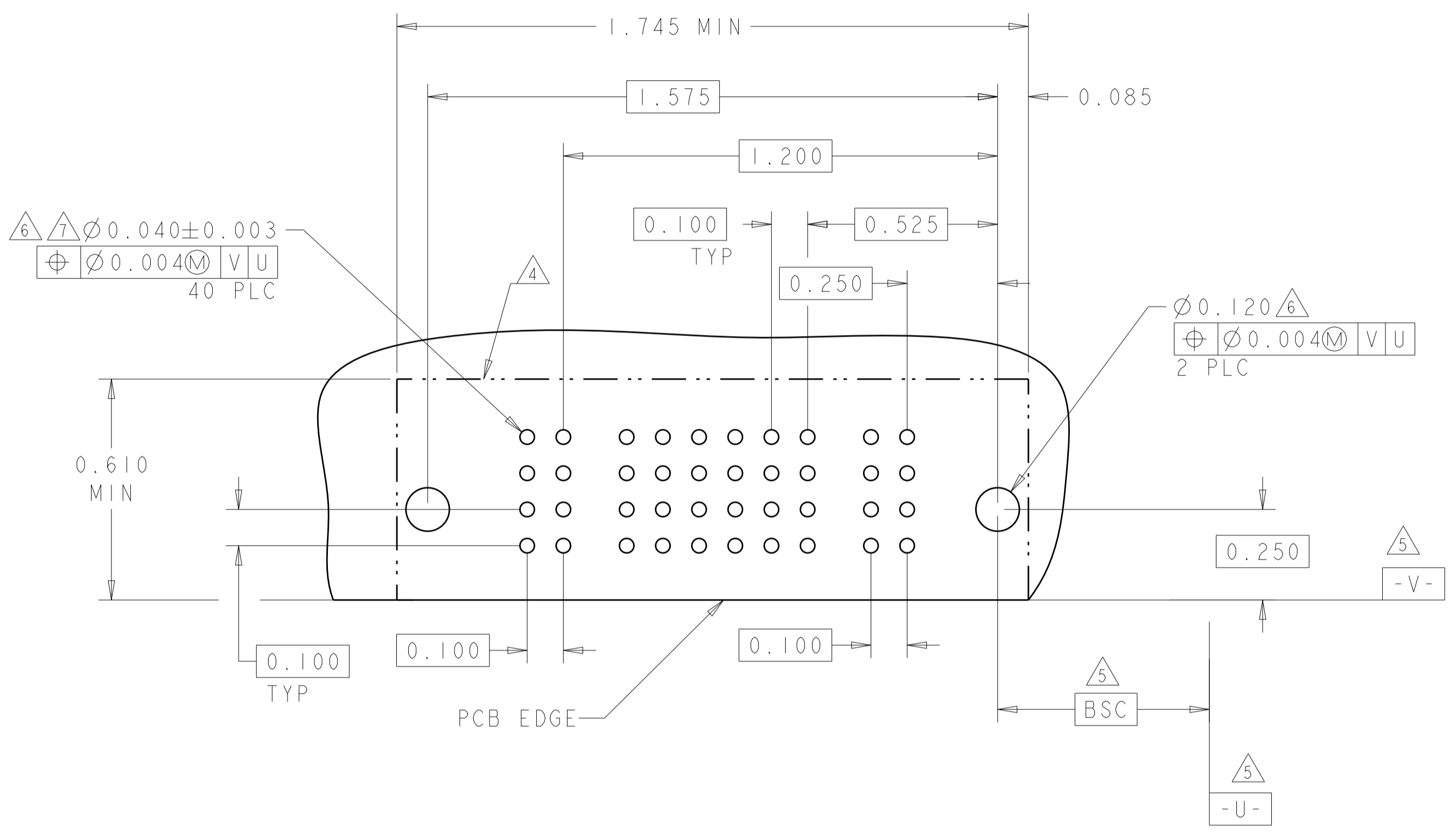
LOC	DIST	REV	DATE	BY	APPV
ES	00				

REVISIONS		DATE	BY	APPV
-	SEE SHEET 1	-	-	-

PART NUMBER	ROWS	POWER		SIGNAL						POWER	
		P2	P1	6	5	4	3	2	1	P1	P2
6450880-5	D	RS		D	D	D	D	D	D		RS
	C		C	C	C	C	C				
	B		B	B	B	B	B				
	A		A	A	A	A	A				
IP + 24S + IP											

PART NUMBER	ROWS	SIGNAL		POWER					
		2	1	LP6	LP5	LP4	LP3	LP2	LP1
6450880-6	D	D		LS	LS	LS	LS	LS	LS
	C	C							
	B	B							
	A	A							
6LP + 8S									



THIS DRAWING IS A CONTROLLED DOCUMENT.

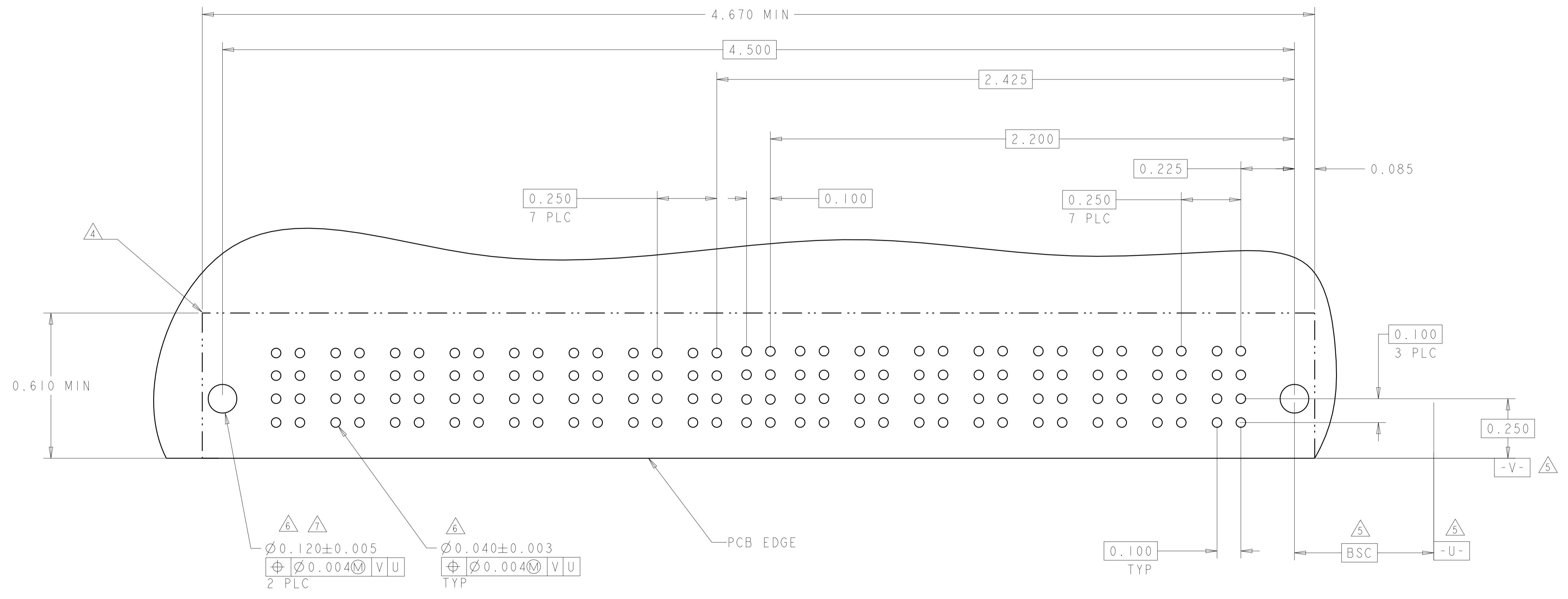
DIMENSIONS: INCHES	TOLERANCES UNLESS OTHERWISE SPECIFIED:	0 PLC ±.1	1 PLC ±.01	2 PLC ±.01	3 PLC ±.005	4 PLC ±.002	ANGLES ±.2°	FINISH
-----------------------	--	-----------	------------	------------	-------------	-------------	-------------	--------

OWN: S. ZHAO	25MAY2007	 TE Connectivity		
CHK: S. ZHAO	25MAY2007			
APPV: S. ZHAO	25MAY2007			
NAME: RIGHT ANGLE RECEPTACLE WITH LP CONTACT AND SHORT END MODULES MULTI-BEAM XLE				
MATERIAL:		SIZE: A100779	CAGE CODE: C=6450880	RESTRICTED TO:
CUSTOMER DRAWING	SCALE: 4:1	SHEET: 5	OF: 13	REV: F5

LOC		DIST		REVISIONS			
ES	00	P	LTM	DESCRIPTION	DATE	DMN	APVD
-	-	-	-	SEE SHEET 1	-	-	-

PART NUMBER	ROWS	POWER									SIGNAL		POWER								
		P16	P15	P14	P13	P12	P11	P10	P9	2	1	P8	P7	P6	P5	P4	P3	P2	P1		
6450880-7	D C B A	RS	RS	RS	RS	RS	RS	RS	RS	RS	D	D	RS	RS	RS	RS	RS	RS	RS	RS	
		RS	RS	RS	RS	RS	RS	RS	RS	C	C	RS	RS	RS	RS	RS	RS	RS	RS	RS	
		RS	RS	RS	RS	RS	RS	RS	RS	B	B	RS	RS	RS	RS	RS	RS	RS	RS	RS	RS
		RS	RS	RS	RS	RS	RS	RS	RS	A	A	RS	RS	RS	RS	RS	RS	RS	RS	RS	RS
8P + 8S + 8P																					

(DI)



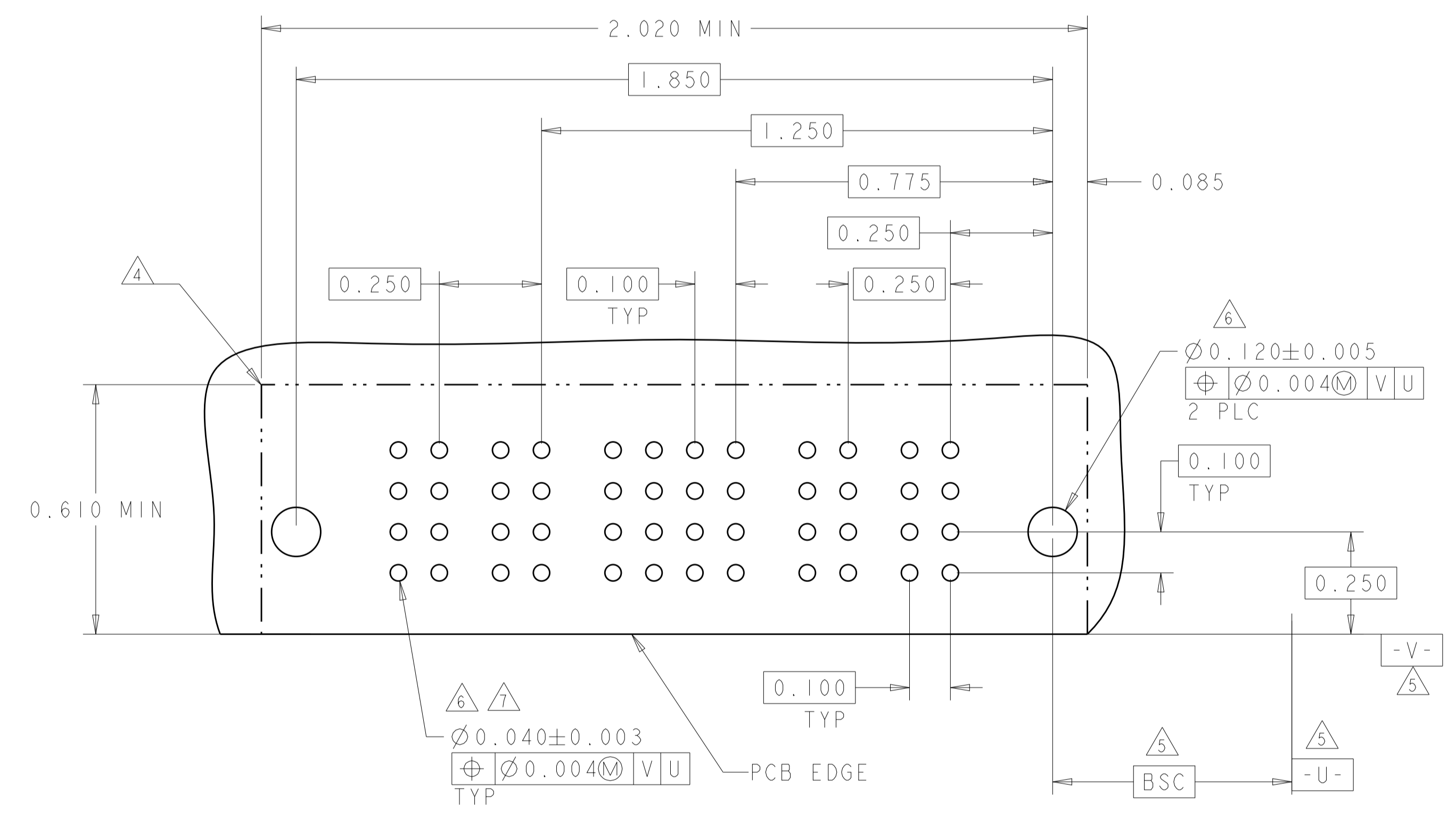
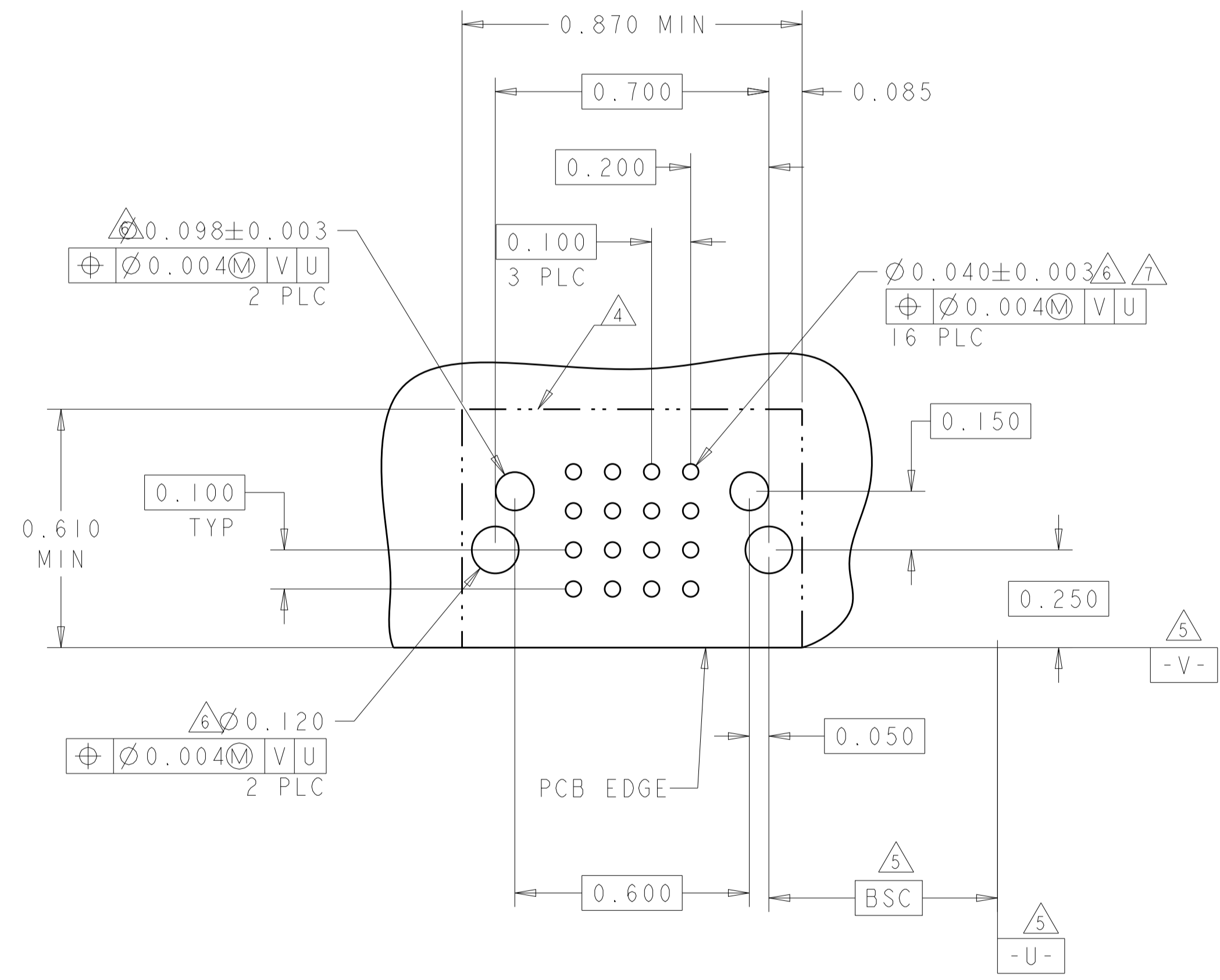
THIS DRAWING IS A CONTROLLED DOCUMENT.

DMN: S. ZHAO	25MAY2007	TE Connectivity NAME: RIGHT ANGLE RECEPTACLE WITH LP CONTACT AND SHORT END MODULES MULTI-BEAM XLE SIZE: A1 CAGE CODE: 100779 DRAWING NO: 6450880 RESTRICTED TO: -
CHK: S. ZHAO	25MAY2007	
APPV: S. ZHAO	25MAY2007	
PRODUCT SPEC: 108-2292	APPLICATION SPEC: 114-13251	
DIMENSIONS: INCHES		WEIGHT: -
TOLERANCES UNLESS OTHERWISE SPECIFIED:		SCALE: 4:1
0 PLC ±.1	1 PLC ±.01	SHEET 6 OF 13
2 PLC ±.01	3 PLC ±.005	REV: F5
4 PLC ±.002	ANGLES ±.020	
MATERIAL: -		CUSTOMER DRAWING
FINISH: -		

LOC	DIST	REVISIONS			
P	LTN	DESCRIPTION	DATE	DMN	APVD
ES	00	SEE SHEET 1			

PART NUMBER	ROWS	SIGNAL			
		4	3	2	1
I-6450880-0	D	D	D	D	D
	C	C	C	C	C
	B	B	B	B	B
	A	A	A	A	A
16S		HD			HD

PART NUMBER	ROWS	POWER		SIGNAL				POWER	
		P4	P3	4	3	2	1	P2	P1
I-6450880-5	D	RS	RS	D	D	D	D	RS	RS
	C			C	C	C			
	B			B	B	B			
	A			A	A	A			
2P + 16S + 2P									



THIS DRAWING IS A CONTROLLED DOCUMENT.

DIMENSIONS:	TOLERANCES UNLESS OTHERWISE SPECIFIED:	DMN S. ZHAO 25MAY2007	 TE Connectivity
INCHES	0 PLC ±.1	CHK S. ZHAO 25MAY2007	
	1 PLC ±.01	APVD S. ZHAO 25MAY2007	
	2 PLC ±.005	NAME	
	3 PLC ±.002	PRODUCT SPEC	RIGHT ANGLE RECEPTACLE WITH LP CONTACT AND SHORT END MODULES MULTI-BEAM XLE
	4 PLC ±.0020	APPLICATION SPEC	
	ANGLES ±.7°	SIZE CAGE CODE DRAWING NO	
MATERIAL	FINISH	RESTRICTED TO	
		SCALE 4:1 SHEET 7 OF 13 REV F5	

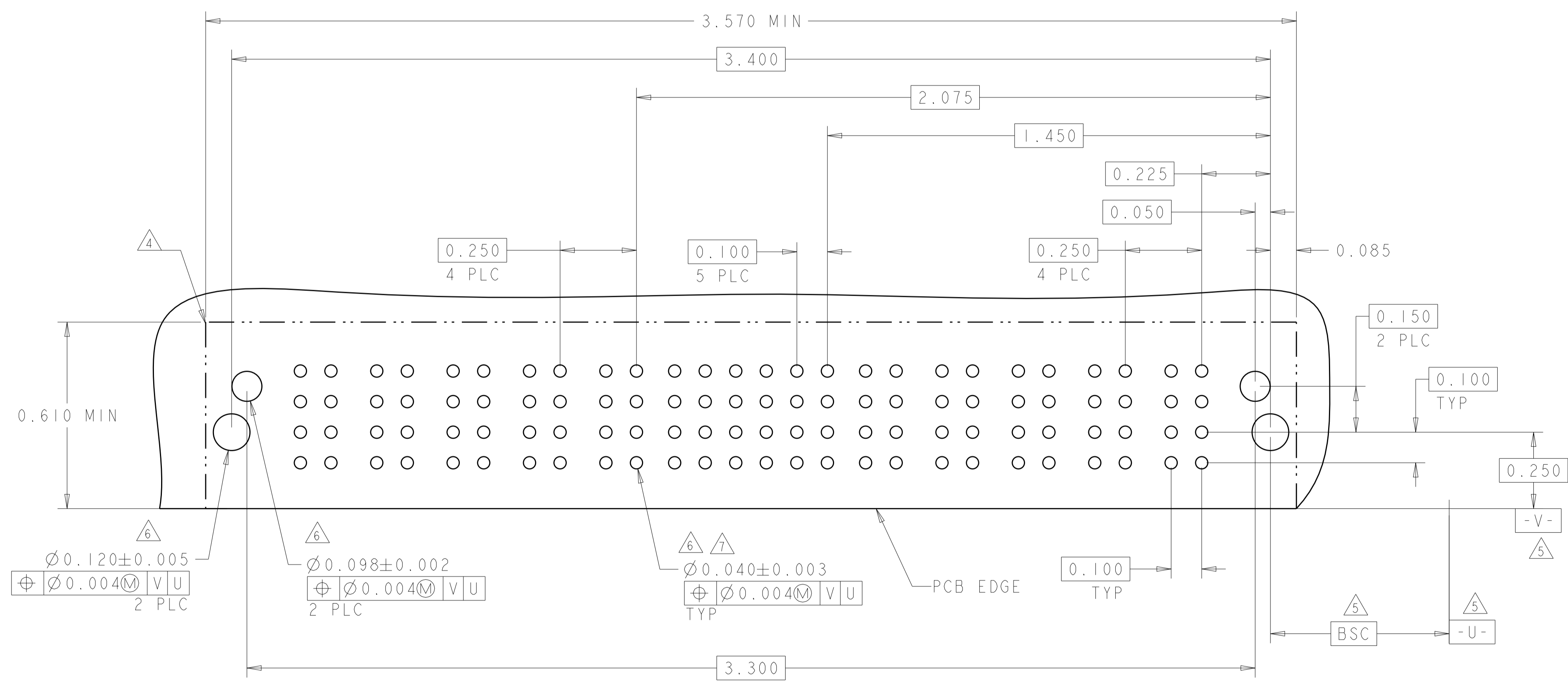
CUSTOMER DRAWING





LOC		DIST		REVISIONS			
ES	00	P	LTH	DESCRIPTION	DATE	DWN	APVD
-	-	-	-	SEE SHEET 1	-	-	-

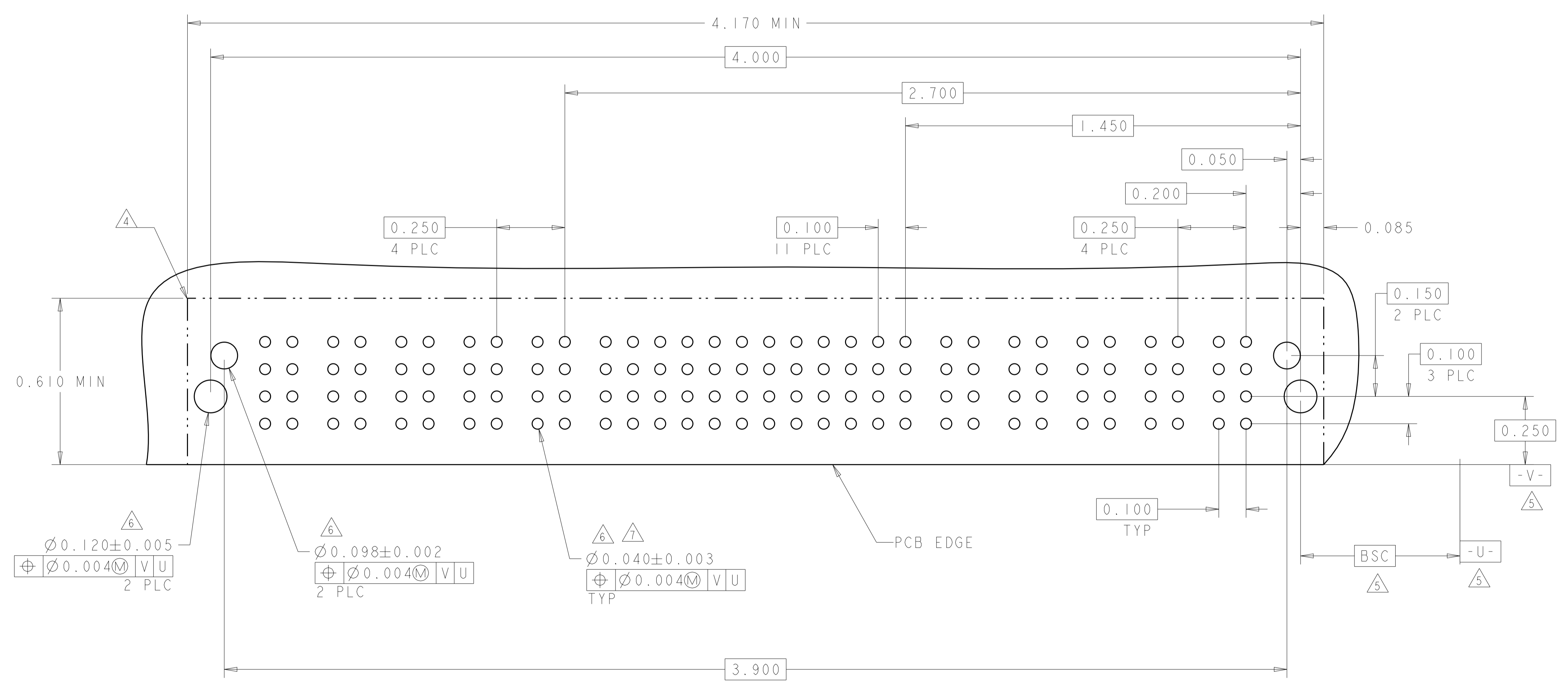
PART NUMBER	ROWS	POWER					SIGNAL						POWER				
		P10	P9	P8	P7	P6	6	5	4	3	2	1	P5	P4	P3	P2	P1
1-6450880-7	D C B A	RS	RS	RS	RS	RS	D	D	D	D	D	D	RS	RS	RS	RS	RS
							C	C	C	C	C	C					
							B	B	B	B	B	B					
							A	A	A	A	A	A					
5P + 24S + 5P																	



THIS DRAWING IS A CONTROLLED DOCUMENT.		DWN S. ZHAO 25MAY2007	 TE Connectivity
DIMENSIONS: INCHES		CHK S. ZHAO 25MAY2007	
		APVD S. ZHAO 25MAY2007	
TOLERANCES UNLESS OTHERWISE SPECIFIED:		PRODUCT SPEC	NAME
0 PLC ±.1		108-2292	RIGHT ANGLE RECEPTACLE WITH LP CONTACT AND SHORT END MODULES MULTI-BEAM XLE
2 PLC ±.01		APPLICATION SPEC	SIZE
3 PLC ±.005		114-13251	A100779
4 PLC ±.0020		WEIGHT	C=6450880
ANGLES ±.7°		CUSTOMER DRAWING	SCALE 4:1 SHEET 9 OF 13 REV F5

LOC	DIST	REVISIONS					
ES	00	P	LTH	DESCRIPTION	DATE	DWN	APVD
		-		SEE SHEET 1			

PART NUMBER	ROWS	POWER					SIGNAL										POWER										
		P10	P9	P8	P7	P6	12	11	10	9	8	7	6	5	4	3	2	1	P5	P4	P3	P2	P1				
I-6450880-8	D C B A	RS	RS	RS	RS	RS	D	D	D	D	D	D	D	D	D	D	D	D	D	RS	RS	RS	RS	RS			
							C	C	C	C	C	C	C	C	C	C	C	C	C						C	C	
							B	B	B	B	B	B	B	B	B	B	B	B	B						B	B	B
							A	A	A	A	A	A	A	A	A	A	A	A	A						A	A	A
5P + 48S + 5P																											



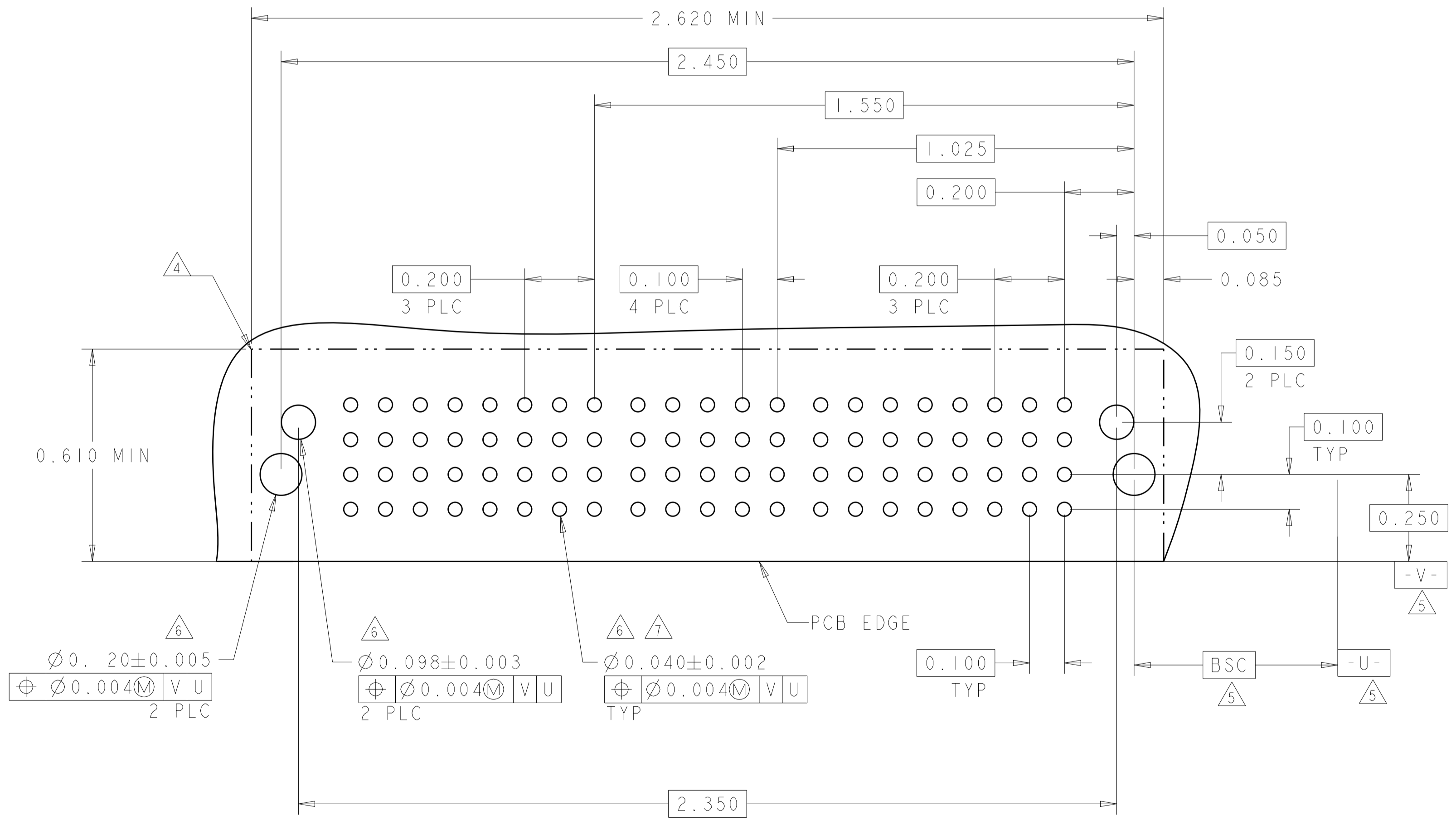
THIS DRAWING IS A CONTROLLED DOCUMENT.

DWN: S. ZHAO	25MAY2007	 TE Connectivity
CHK: S. ZHAO	25MAY2007	
APVD: S. ZHAO	25MAY2007	
NAME: S. ZHAO	25MAY2007	

DIMENSIONS: INCHES	TOLERANCES UNLESS OTHERWISE SPECIFIED:	NAME: RIGHT ANGLE RECEPTACLE WITH LP CONTACT AND SHORT END MODULES MULTI-BEAM XLE
0 PLC ±.1	1 PLC ±.01	PRODUCT SPEC: 108-2292
2 PLC ±.01	3 PLC ±.005	APPLICATION SPEC: 114-13251
4 PLC ±.002	ANGLES ±.2°	SIZE: A1
MATERIAL: -	FINISH: -	WEIGHT: -
CUSTOMER DRAWING		SCALE: 4:1 SHEET 10 OF 13 REV: F5

LOC		DIST		REVISIONS			
ES	00	P	LTH	DESCRIPTION	DATE	DWN	APVD
		-		SEE SHEET 1			

PART NUMBER	ROWS	POWER				SIGNAL					POWER			
		P8	P7	P6	P5	5	4	3	2	1	P4	P3	P2	P1
1-6450880-9	D	RS	RS	RS	RS	D	D	D	D	D	RS	RS	RS	RS
	C					C	C	C	C					
	B					B	B	B	B					
	A					A	A	A	A					
4HDP + 20S + 4HDP														



THIS DRAWING IS A CONTROLLED DOCUMENT.

DWN: S. ZHAO	25MAY2007	TE Connectivity
CHK: S. ZHAO	25MAY2007	
APP'D: S. ZHAO	25MAY2007	
NAME: S. ZHAO	25MAY2007	

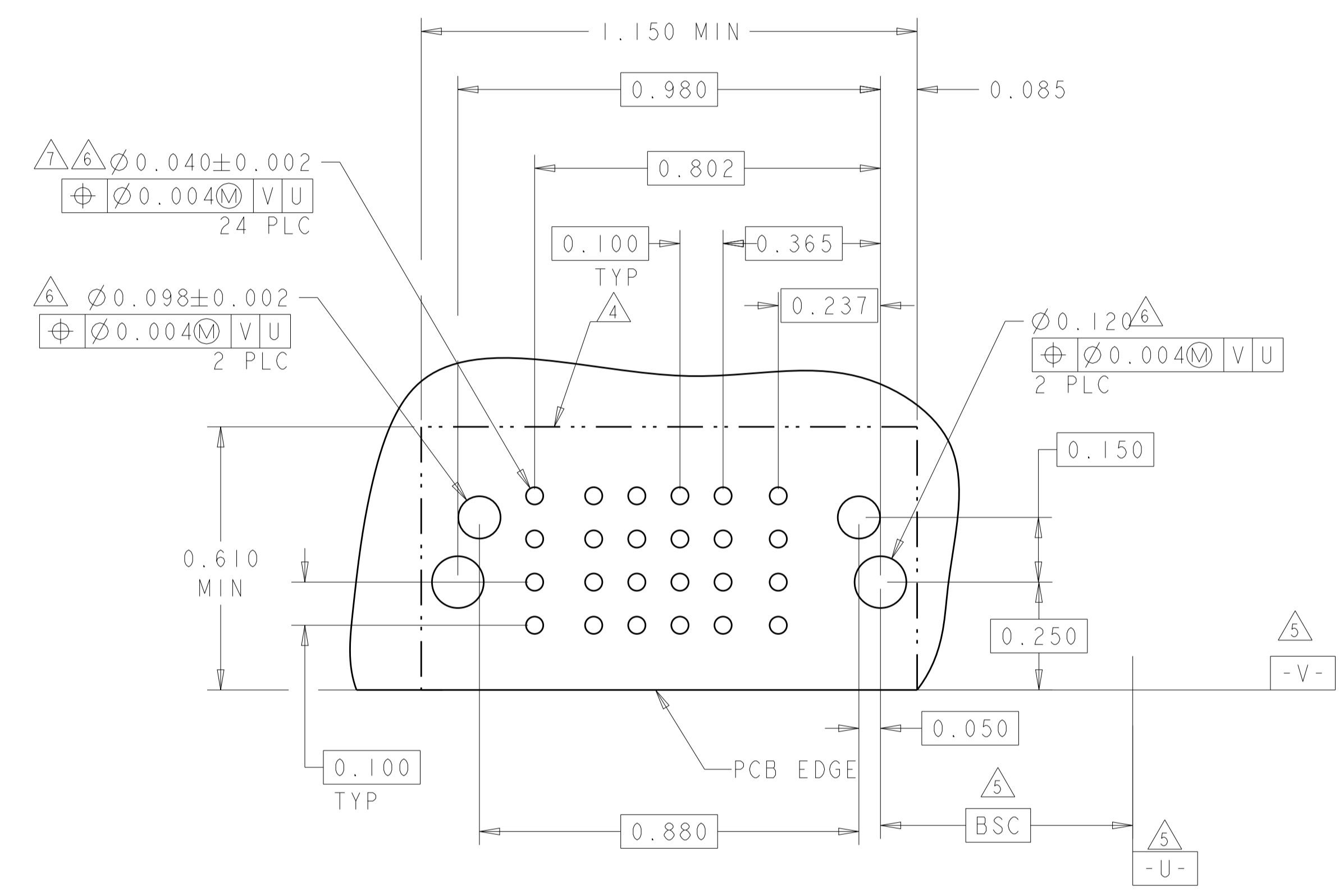
DIMENSIONS: INCHES	TOLERANCES UNLESS OTHERWISE SPECIFIED:	NAME: RIGHT ANGLE RECEPTACLE WITH LP CONTACT AND SHORT END MODULES MULTI-BEAM XLE
0 PLC ±. 1 PLC ±.1 2 PLC ±.01 3 PLC ±.005 4 PLC ±.002 ANGLES ±.2°	PRODUCT SPEC: 108-2292 APPLICATION SPEC: 114-13251 WEIGHT: -	SIZE: A1 CAGE CODE: 6450880 RESTRICTED TO: -

CUSTOMER DRAWING SCALE: 4:1 SHEET 11 OF 13 REV: F5

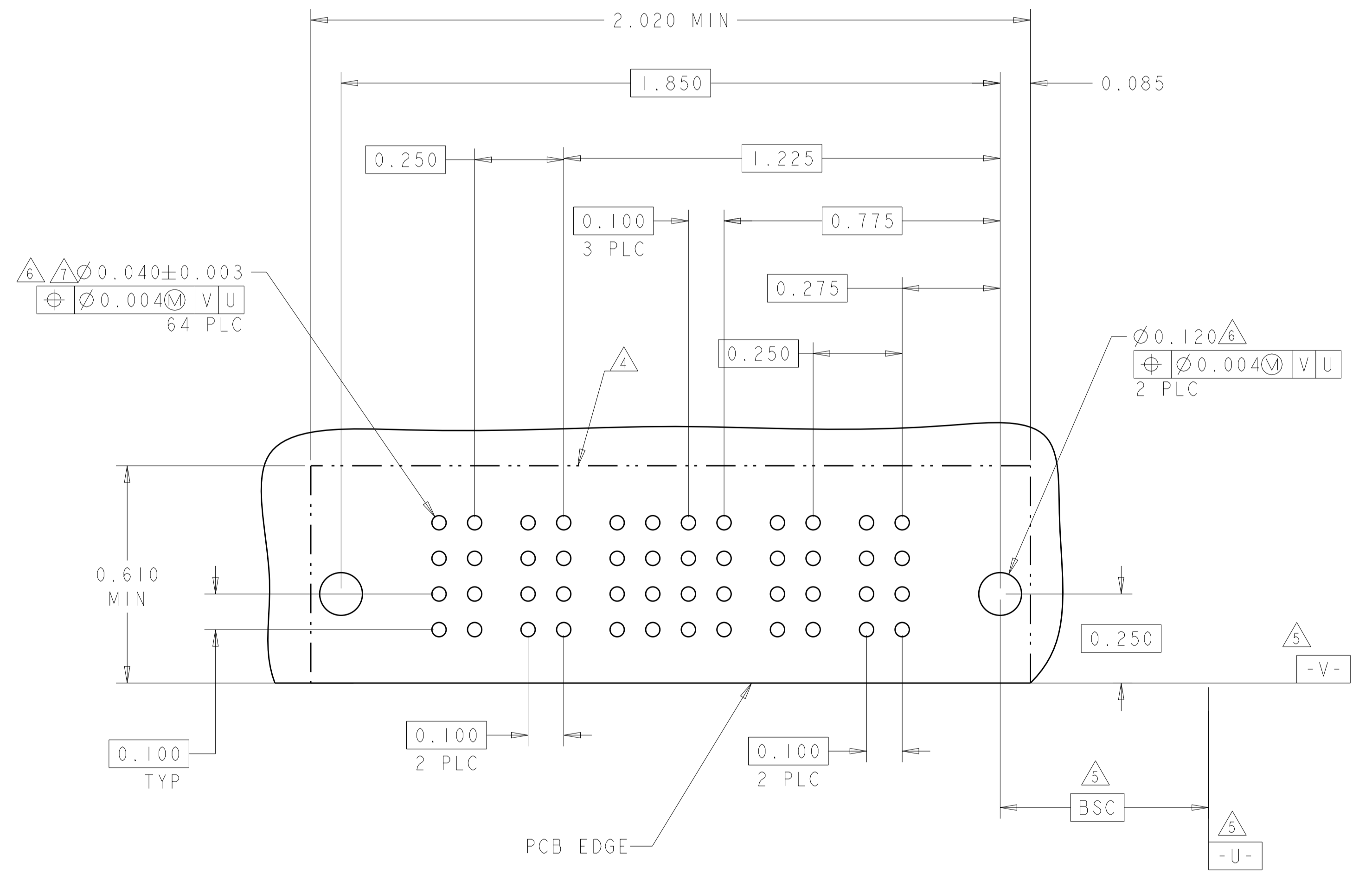
LOC	DIST	REVISIONS			
P	LTH	DESCRIPTION	DATE	DNW	APVD
-	-	SEE SHEET 1	-	-	-

PART NUMBER	ROWS	POWER	SIGNAL				POWER
			P2	4	3	2	
2-6450880-0	D C B A	LS	D C B A	D C B A	D C B A	D C B A	LS
ILP + 16S + ILP							

E7



PART NUMBER	ROWS	POWER	SIGNAL				POWER	
			P4	P3	4	3		2
2-6450880-6	D C B A	RS	RS	D C B A	D C B A	D C B A	RS	RS
2P + 16S + 2P								



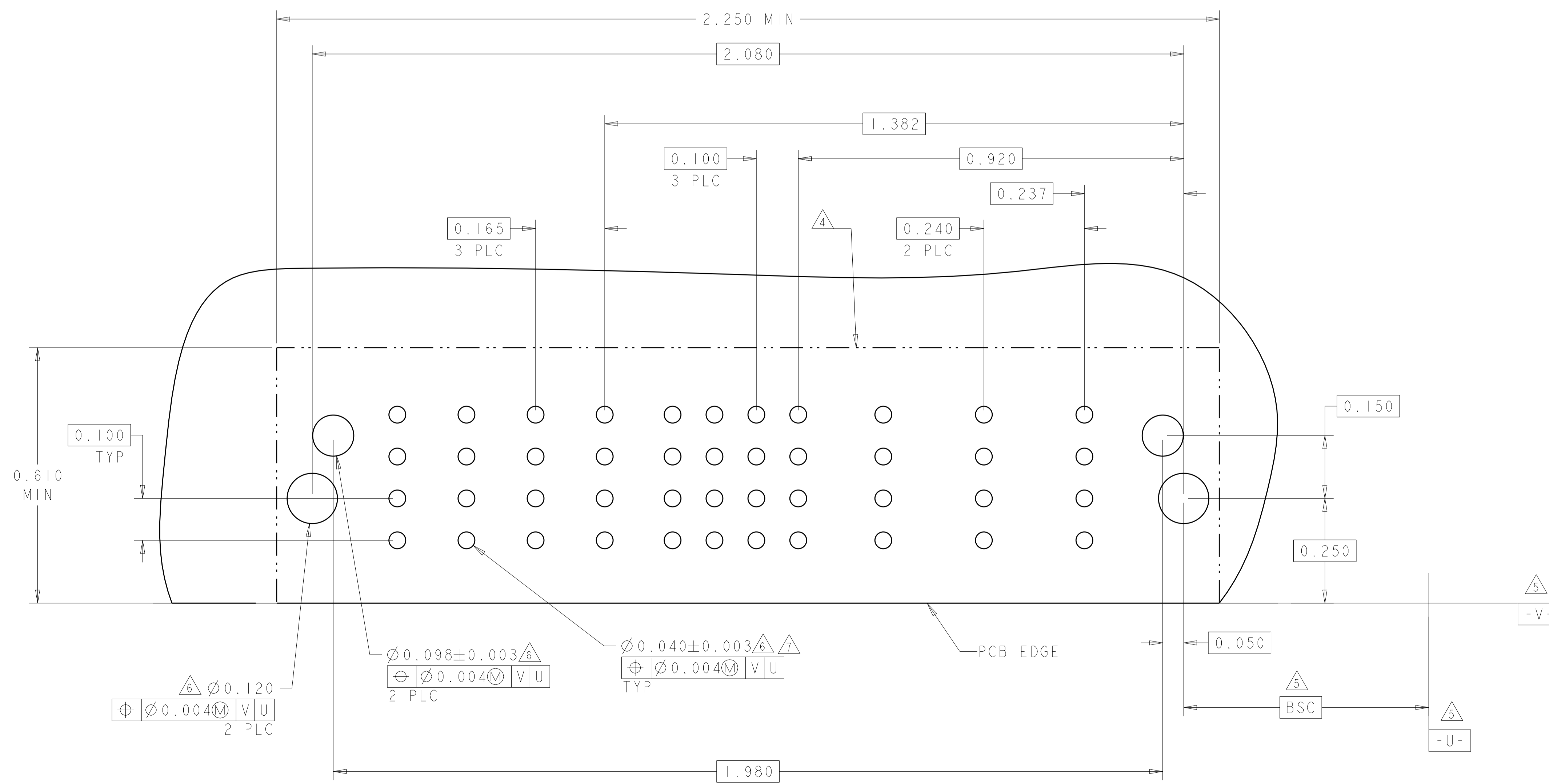
THIS DRAWING IS A CONTROLLED DOCUMENT.

DIMENSIONS: INCHES	TOLERANCES UNLESS OTHERWISE SPECIFIED:	0 PLC ±.1 1 PLC ±.1 2 PLC ±.01 3 PLC ±.005 4 PLC ±.002 ANGLES ±.2°	FINISH	DNW S. ZHAO 25MAY2007 CHK S. ZHAO 25MAY2007 APVD S. ZHAO 25MAY2007	NAME RIGHT ANGLE RECEPTACLE WITH LP CONTACT AND SHORT END MODULES MULTI-BEAM XLE
MATERIAL				PRODUCT SPEC 108-2292 APPLICATION SPEC 114-13251 WEIGHT	SIZE CAGE CODE DRAWING NO. A100779C=6450880
CUSTOMER DRAWING				SCALE 4:1	SHEET 12 OF 13 REV F5

STE TE Connectivity

LOC		DIST		REVISIONS			
ES	00	P	LTH	DESCRIPTION	DATE	DWN	APVD
		-		SEE SHEET 1			

PART NUMBER	ROWS	POWER				SIGNAL				POWER		
		LP7	LP6	LP5	LP4	4	3	2	1	LP3	LP2	LP1
2-6450880-7	D	LS	LS	LS	LS	D	D	D	D	LS	LS	LS
	C					C	C	C				
	B					B	B	B				
	A					A	A	A				
3LP + 16S + 4LP		HD										



THIS DRAWING IS A CONTROLLED DOCUMENT.		DWN S. ZHAO 25MAY2007	<b>TE</b> Connectivity
DIMENSIONS: INCHES		CHK S. ZHAO 25MAY2007	
TOLERANCES UNLESS OTHERWISE SPECIFIED:		APVD S. ZHAO 25MAY2007	NAME
0 PLC ±.1	1 PLC ±.01	PRODUCT SPEC	RIGHT ANGLE RECEPTACLE WITH LP CONTACT AND SHORT END MODULES MULTI-BEAM XLE
2 PLC ±.01	3 PLC ±.005	APPLICATION SPEC	SIZE CAGE CODE DRAWING NO RESTRICTED TO
4 PLC ±.0020	ANGLES ±.0020	114-13251	A100779C=6450880
MATERIAL	FINISH	WEIGHT	
CUSTOMER DRAWING		SCALE 4:1	SHEET 13 OF 13 REV F5

单击下面可查看定价，库存，交付和生命周期等信息

[>>TE Connectivity\(泰科\)](#)