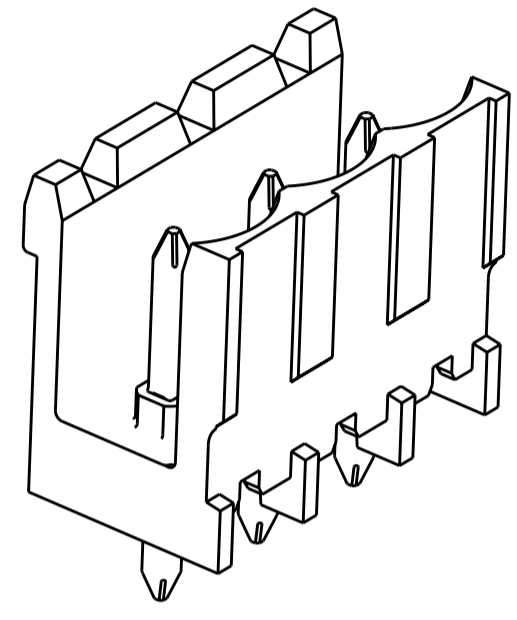
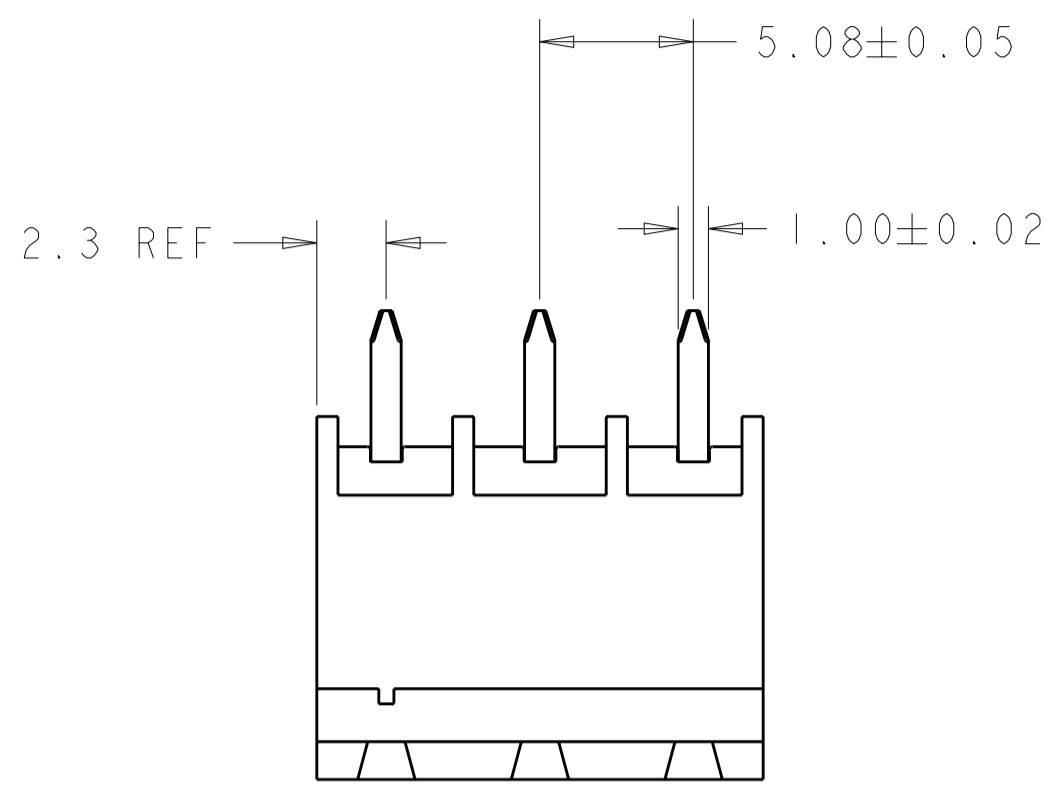
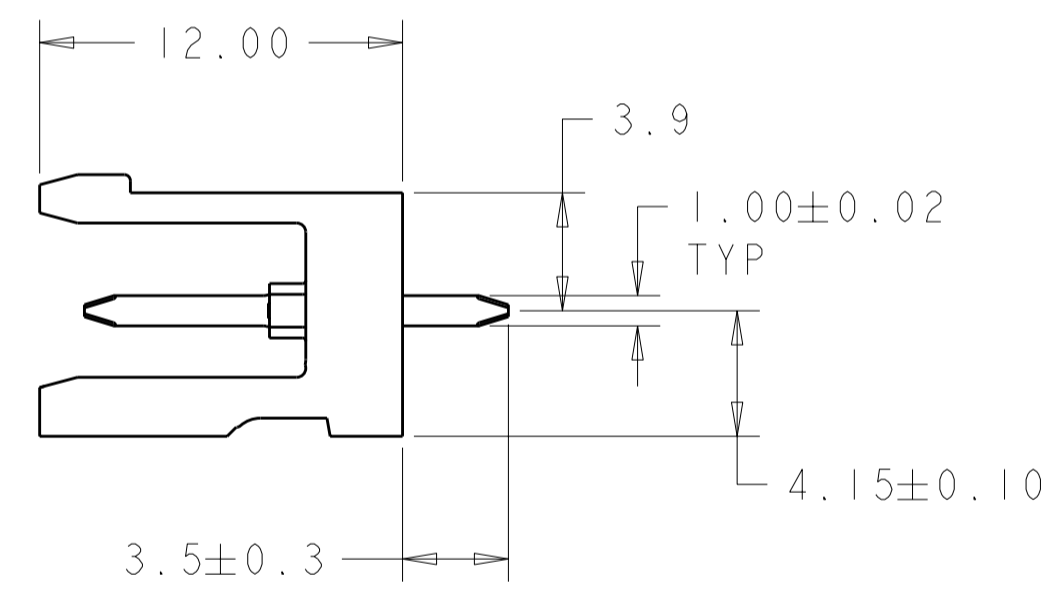
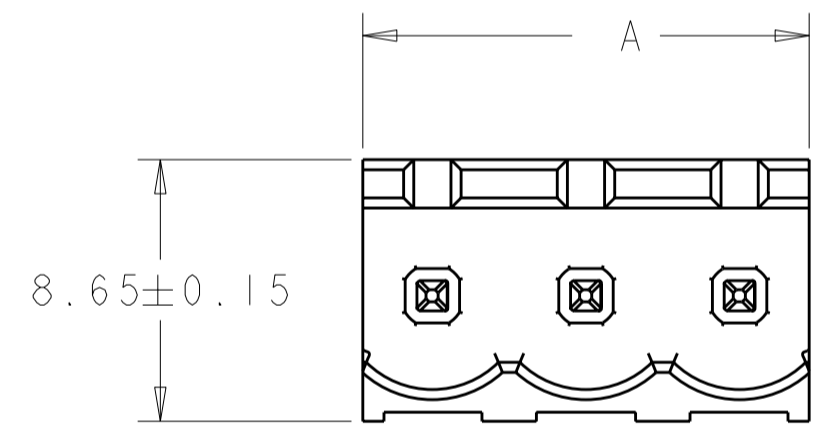


THIS DRAWING IS UNPUBLISHED. RELEASED FOR PUBLICATION 20
 © COPYRIGHT 20 Tyco Electronics AMP GmbH ALL RIGHTS RESERVED.

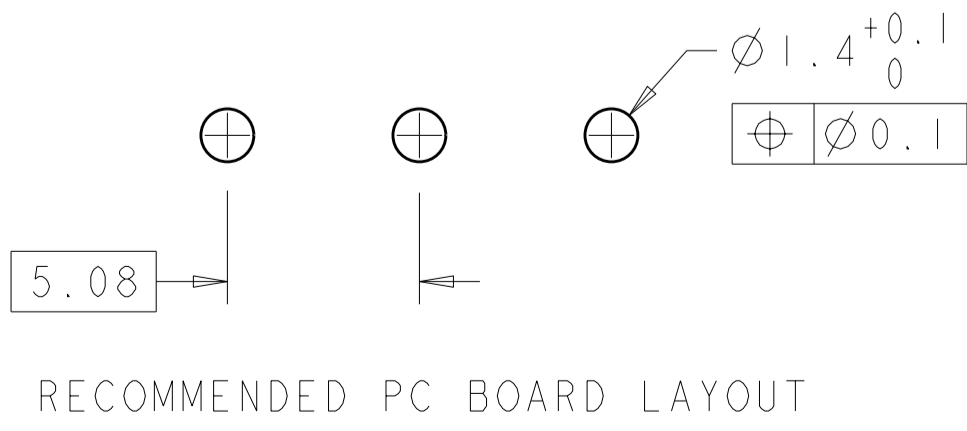
| LOC | | DIST | | REVISIONS | | | |
|-----|-----|---------------------------|-----------|-----------|------|--|--|
| P | LTR | DESCRIPTION | DATE | DWN | APVD | | |
| | 02 | REVISED PER ECO-12-007711 | 26APR2012 | KH | MS | | |



- △ MATERIALS AND FINISH:
 HOUSING: HIGH TEMPERATURE POLYAMIDE, UL 94V-0 RATED,
 COLOR: BLACK.
 TERMINAL: COPPER ALLOY, FINISH: TIN PLATED.
- SUITABLE FOR 1,6-2,4mm PC BOARD THICKNESS.
 - END-TO-END STACKABLE WITHOUT LOSS OF CENTERLINE SPACING.
 - RECOGNIZED UNDER THE COMPONENT PROGRAM OF UNDERWRITERS LABORATORIES INC. FILE N°E60677.
 - IMQ CERTIFICATE WITH SURVEILLANCE IN CONFORMITY WITH IEC 998-1/998-2-1.
 - UL RATING: 300V, 15A.



| | | |
|------------|------------|-------------|
| 60.48±0.20 | 12 | 1-1776139-2 |
| 55.40±0.20 | 11 | 1-1776139-1 |
| 50.32±0.10 | 10 | 1-1776139-0 |
| 45.24±0.15 | 9 | 1776139-9 |
| 40.16±0.15 | 8 | 1776139-8 |
| 35.08±0.15 | 7 | 1776139-7 |
| 30.00±0.15 | 6 | 1776139-6 |
| 24.92±0.10 | 5 | 1776139-5 |
| 19.84±0.10 | 4 | 1776139-4 |
| 14.76±0.10 | 3 | 1776139-3 |
| 9.68±0.10 | 2 | 1776139-2 |
| A | NO OF POSN | PART NUMBER |



THIS DRAWING IS A CONTROLLED DOCUMENT.

| | | | |
|-------------|--|----------------------------|---|
| DIMENSIONS: | TOLERANCES UNLESS OTHERWISE SPECIFIED: | DWN S. WELDON 03JUN2005 | TE Connectivity |
| mm | 0 PLC ±- | CHK C. RICHARD 03JUN2005 | |
| | 1 PLC ±.3 | APVD C. RICHARD 03JUN2005 | |
| | 2 PLC ±.25 | PRODUCT SPEC 108-20166 | |
| | 3 PLC ±- | APPLICATION SPEC 114-20079 | NAME TERMINAL BLOCK HEADER ASSEMBLY 180 DEGREE OPEN ENDS, STACKING 5.08mm PITCH |
| | 4 PLC ±- | WEIGHT - | SIZE A2 |
| MATERIAL | FINISH | CUSTOMER DRAWING | CAGE CODE 00779 |
| | | | DRAWING NO 1776139 |
| | | | RESTRICTED TO - |
| | | | SCALE 3:1 |
| | | | SHEET 1 OF 1 |
| | | | REV 02 |

单击下面可查看定价，库存，交付和生命周期等信息

[>>TE Connectivity\(泰科\)](#)