

4

3

2

1

THIS DRAWING IS UNPUBLISHED.

RELEASED FOR PUBLICATION

20

LOC

DIST

REVISIONS

© COPYRIGHT 20 BY TYCO ELECTRONICS CORPORATION. ALL RIGHTS RESERVED.

DS

-

P

LTR

DESCRIPTION

DATE

DWN

APVD

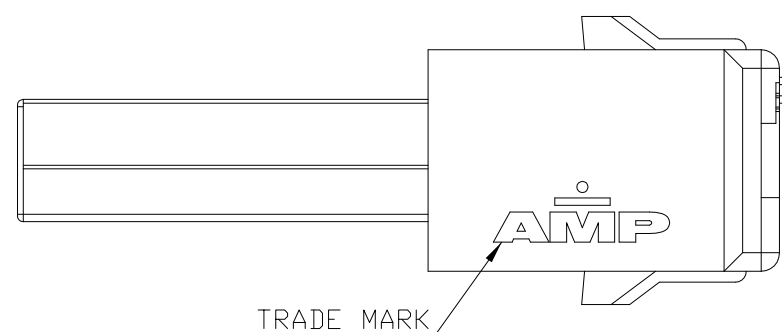
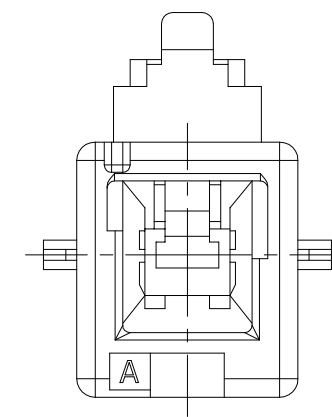
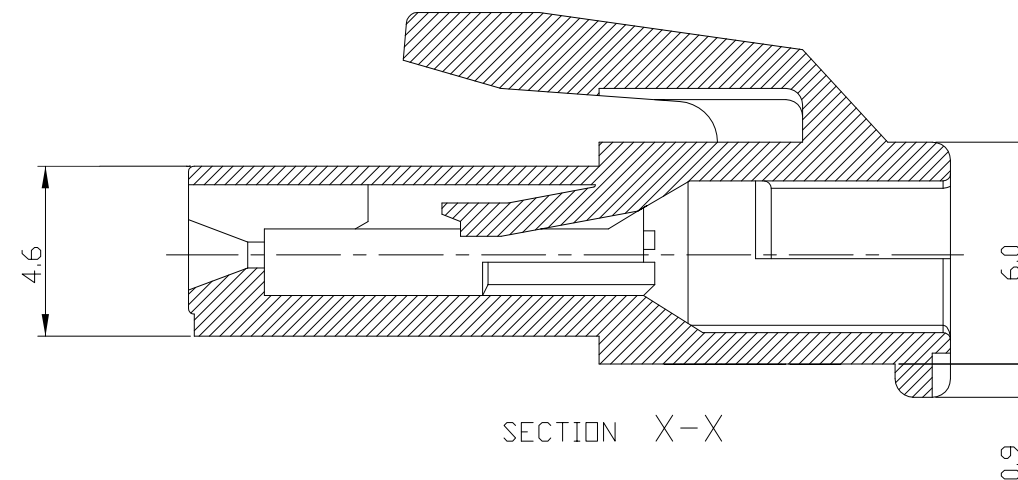
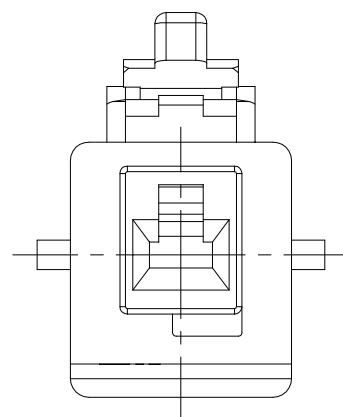
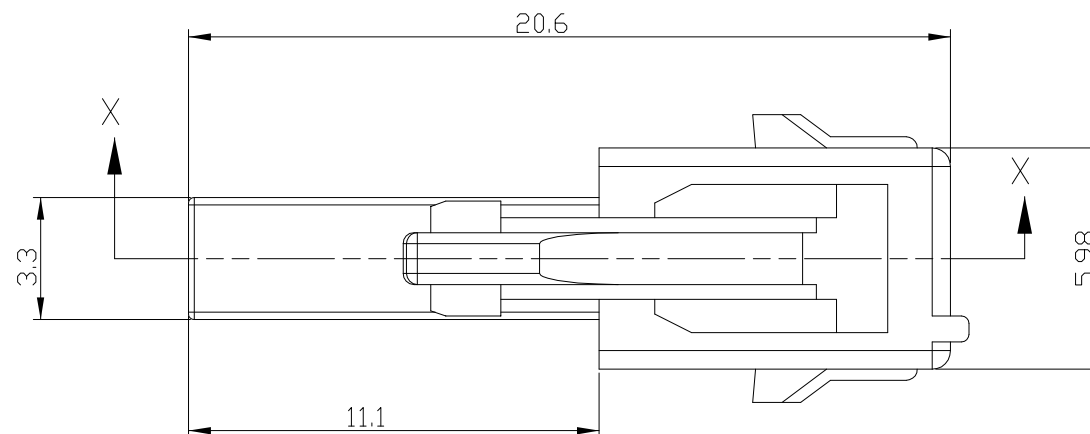
B

REVISED PER ECR-19-009721

10 JUL '19

M.G

D.Z



NOTE:
 1. THIS HOUSING ACCEPTS RECEPTACLE TERMINAL:
 - REC CONTACT: 177915- □ (AWG#16-#20)
 : 177914- □ (AWG#22-#26)
 2. MATING CONN. P/N
 - TAB CONTACT: 177917- □ (AWG#16-#20)
 : 177916- □ (AWG#22-#26)
 3. APPLICABLE DOUBLE LOCK PLATE: 316770-1
 *IT SHOULD BE USED CERTAINLY WHEN CABLE ASS'Y
 4. GENERAL TOLERANCES: ±0.3
 MATERIAL: PA66, UL 94V-0,
 COMPLY WITH GLOW WIRE REQUIREMENT FOR PARTS
 OF NON-METALLIC MATERIALS SUPPORTING CURRENT-CARRYING
 CONNECTION DETAILED IN IEC 60335-1, SECTION 30 (GWT)

2005246-9	BLACK
2005246-6	BLUE
2005246-4	YELLOW
2005246-2	RED
2005246-1	NATURAL
P/N	COLOR

THIS DRAWING IS A CONTROLLED DOCUMENT FOR TYCO ELECTRONICS CORPORATION IT IS SUBJECT TO CHANGE AND THE CONTROLLING ENGINEERING ORGANIZATION SHOULD BE CONTACTED FOR THE LATEST REVISION.		DWN SC KIM	AMP KOREA Kyungsan, Korea	
DIMENSIONS: mm		CHK BW KANG	NAME JK SONG	
TOLERANCES UNLESS OTHERWISE SPECIFIED: 0 PLC ±- 1 PLC ±0.1 2 PLC ±0.01 3 PLC ±0.001 4 PLC ±0.0001 ANGLES ±-		APVD JK SONG	PRODUCT SPEC 108-5410	
MATERIAL 5		FINISH -	APPLICATION SPEC 114-5175	RESTRICTED TO -
		WEIGHT -	SIZE A3	CAGE CODE 00779
		DRAWING NO 2005246		SCALE 5:1
		CUSTOMER DRAWING		SHEET 1 OF 1
				REV B

单击下面可查看定价，库存，交付和生命周期等信息

[>>TE Connectivity\(泰科\)](#)