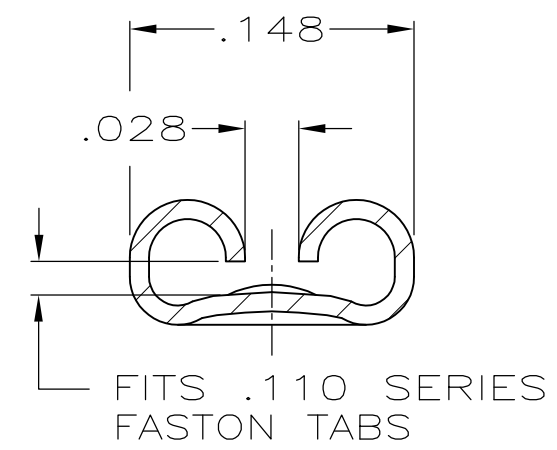
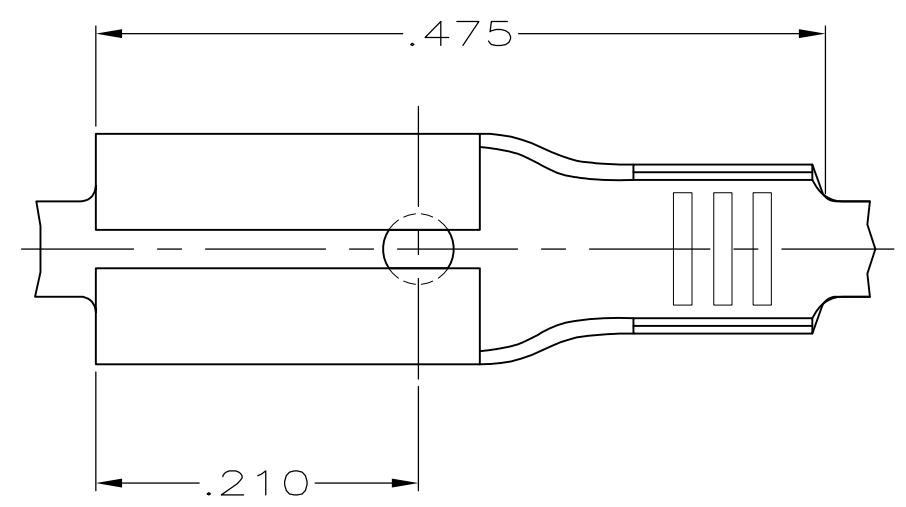


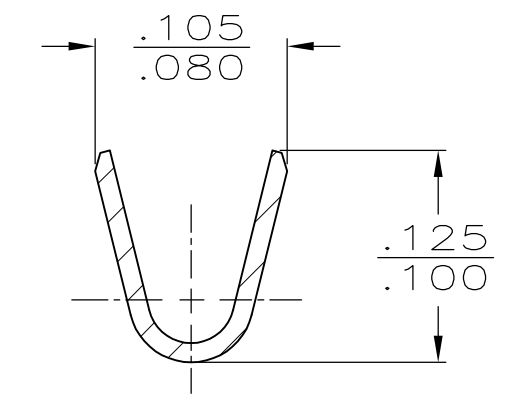
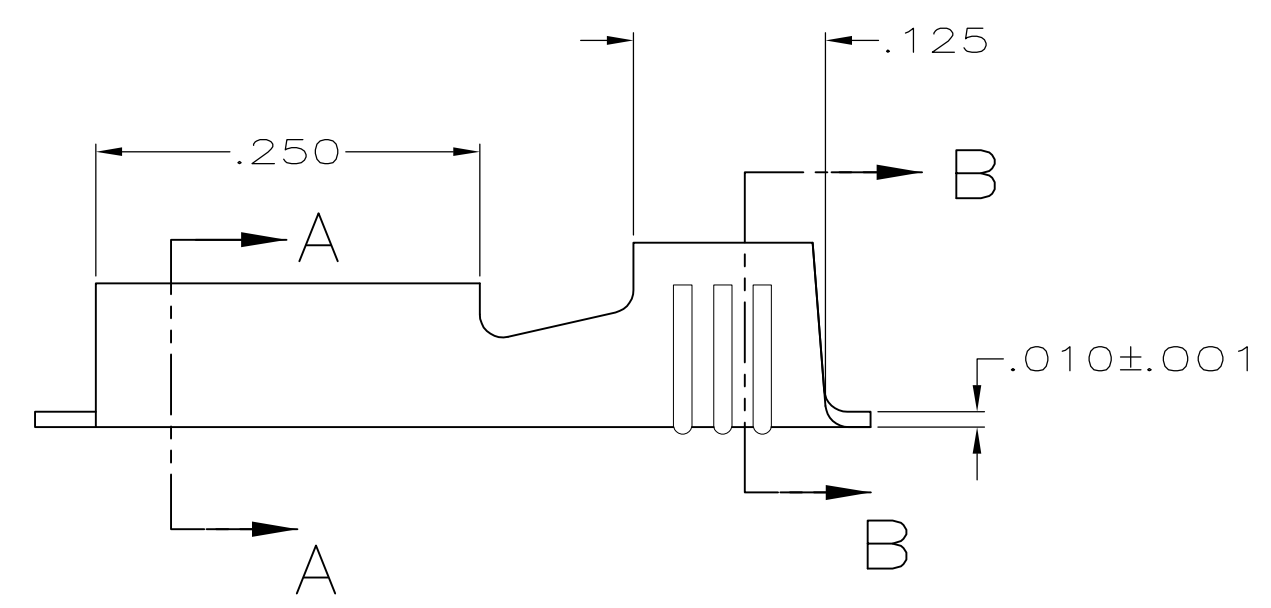
THIS DRAWING IS UNPUBLISHED. RELEASED FOR PUBLICATION
 © COPYRIGHT - By - ALL RIGHTS RESERVED.

LOC	DIST	REVISIONS			
P	LTR	DESCRIPTION	DATE	DWN	APVD
AF	50	U	REVISED PER ECR-12-013445	18OCT12	KH PD



SECTION A-A
SCALE 10:1

- 1 CONTINUOUS STRIP ON REELS
- 2 FEED TO BE $.535 \pm .005$



SECTION B-B
SCALE 10:1

20-18 or (2) #20's	.016	42398-1
WIRE SIZE	MATING TAB THK $\pm .001$	PART NO

THIS DRAWING IS A CONTROLLED DOCUMENT.		DWN JR RUTH 4/1/91	TE Connectivity RECEPTACLE, FASTON, .110 SERIES	
DIMENSIONS: INCHES		CHK MS FEHER 4/1/91		
TOLERANCES UNLESS OTHERWISE SPECIFIED:		APVD C MEYERS 4/1/91		
0 PLC $\pm -$ 1 PLC $\pm -$ 2 PLC $\pm -$ 3 PLC $\pm .015$ 4 PLC $\pm -$ ANGLES $\pm -$		NAME		
MATERIAL BRASS		FINISH PRE-TIN	PRODUCT SPEC	SIZE
			APPLICATION SPEC	CAGE CODE
			WEIGHT -	DRAWING NO
			CUSTOMER DRAWING	RESTRICTED TO
			SCALE 8:1	SHEET 1 OF 1
				REV U

单击下面可查看定价，库存，交付和生命周期等信息

[>>TE Connectivity\(泰科\)](#)