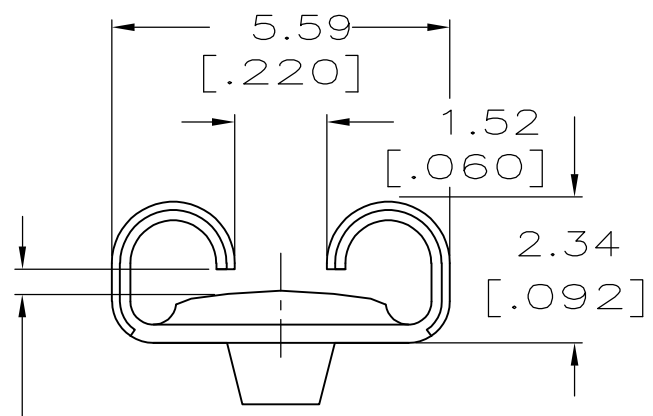
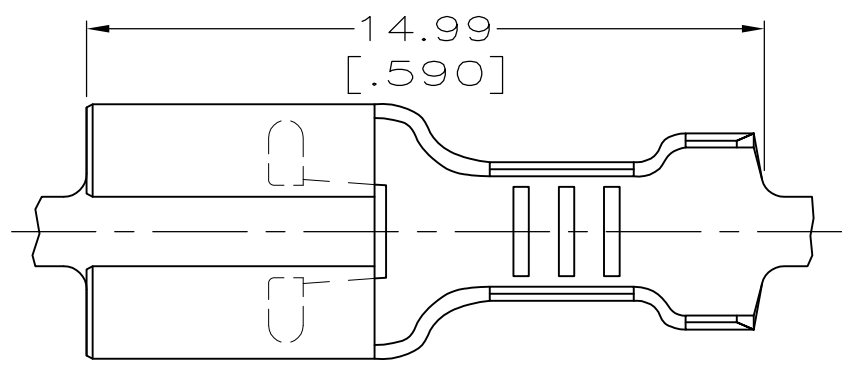


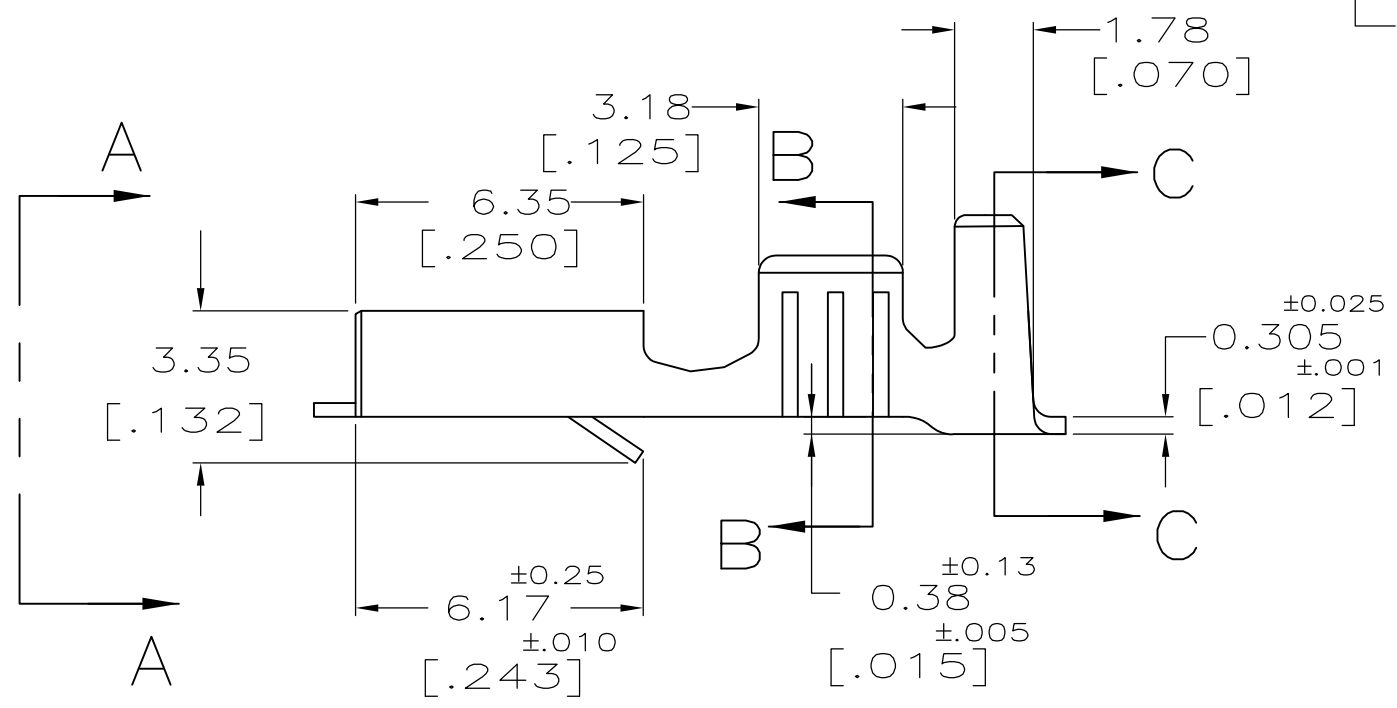
THIS DRAWING IS UNPUBLISHED. RELEASED FOR PUBLICATION
 © COPYRIGHT - By - ALL RIGHTS RESERVED.

LOC	DIST	REVISIONS			
P	LTR	DESCRIPTION	DATE	DWN	APVD
AF	50	M	REVISED PER ECR-13-005733	27AUG2013	KH PD

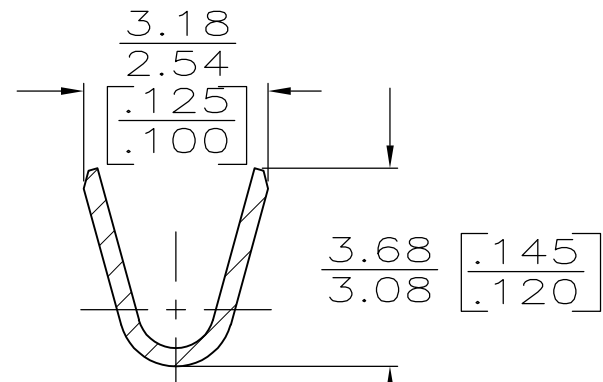


1 CONTINUOUS STRIP ON REELS
 3 OBSOLETE PARTS: OBSOLETE CIS STREAMLINING PER D.RENAUD/D.SINISI

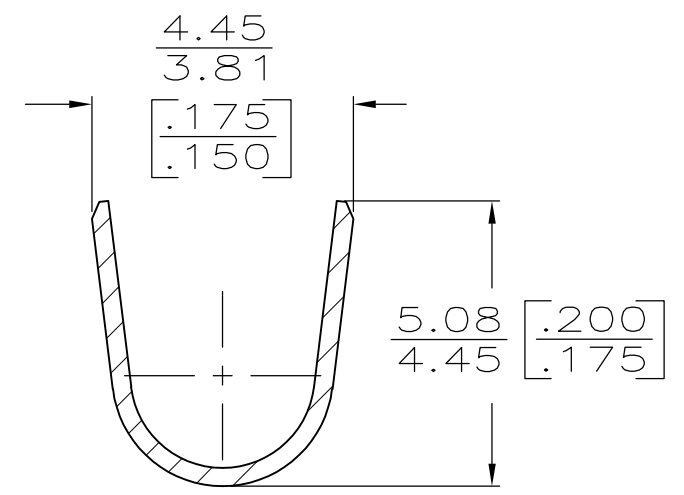
FITS 4.75 [0.187] SERIES TAB



VIEW A-A
SCALE 8:1



SECTION B-B
SCALE 8:1



SECTION C-C
SCALE 8:1

3 OBSOLETE	TIN	2.28 - 3.30	0.3 - 1.4mm ²	62773-2
	-	[.090 - .130]	[22-16]	62773-1
	FINISH	INSUL RANGE	WIRE SIZE	MATING TAB THK ±0.025 [0.001] PART NO

THIS DRAWING IS A CONTROLLED DOCUMENT.		DWN	JR RUTH	10/31/89	STE TE Connectivity
DIMENSIONS: mm [INCHES]		CHK	MS FEHER	10/31/89	
TOLERANCES UNLESS OTHERWISE SPECIFIED:		APVD	J GILLESPIE	10/31/89	
0 PLC ± - 1 PLC ± - 2 PLC ± - 3 PLC ± 0.38 [015] 4 PLC ± - ANGLES ± -		PRODUCT SPEC		NAME	
MATERIAL: BRASS		FINISH: SEE TABLE		APPLICATION SPEC	
		WEIGHT: -		RECEPTACLE, FASTIN-FASTON™, .187 SERIES	
		SIZE	A3	CAGE CODE	00779
		DRAWING NO	C-62773		RESTRICTED TO
		CUSTOMER DRAWING		SCALE	6:1
		SHEET		1 OF 1	REV M

单击下面可查看定价，库存，交付和生命周期等信息

[>>TE Connectivity\(泰科\)](#)