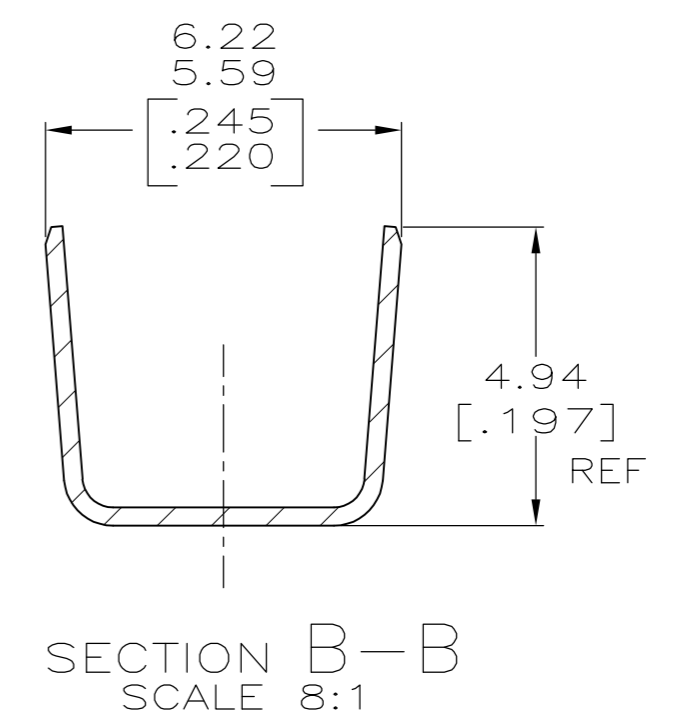
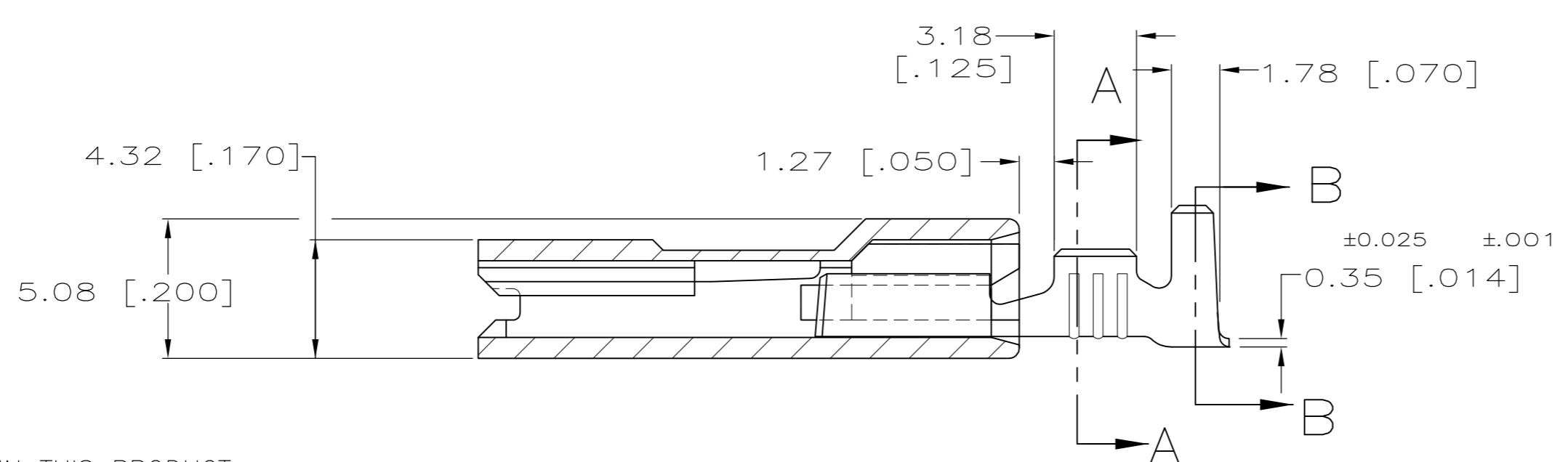
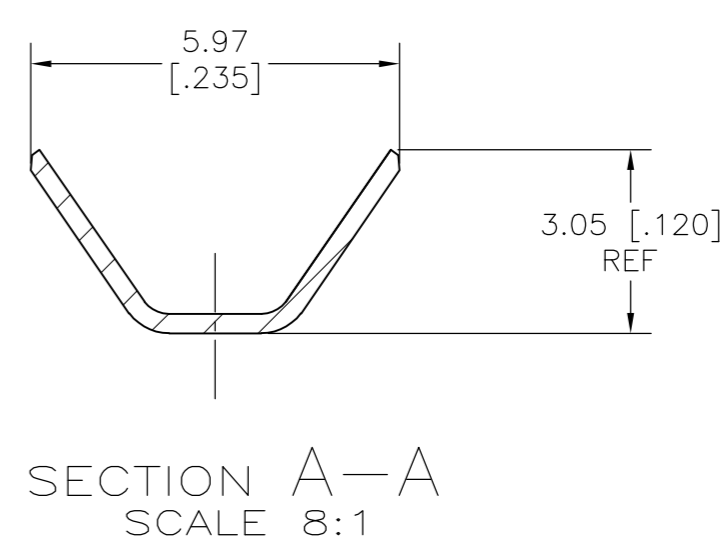
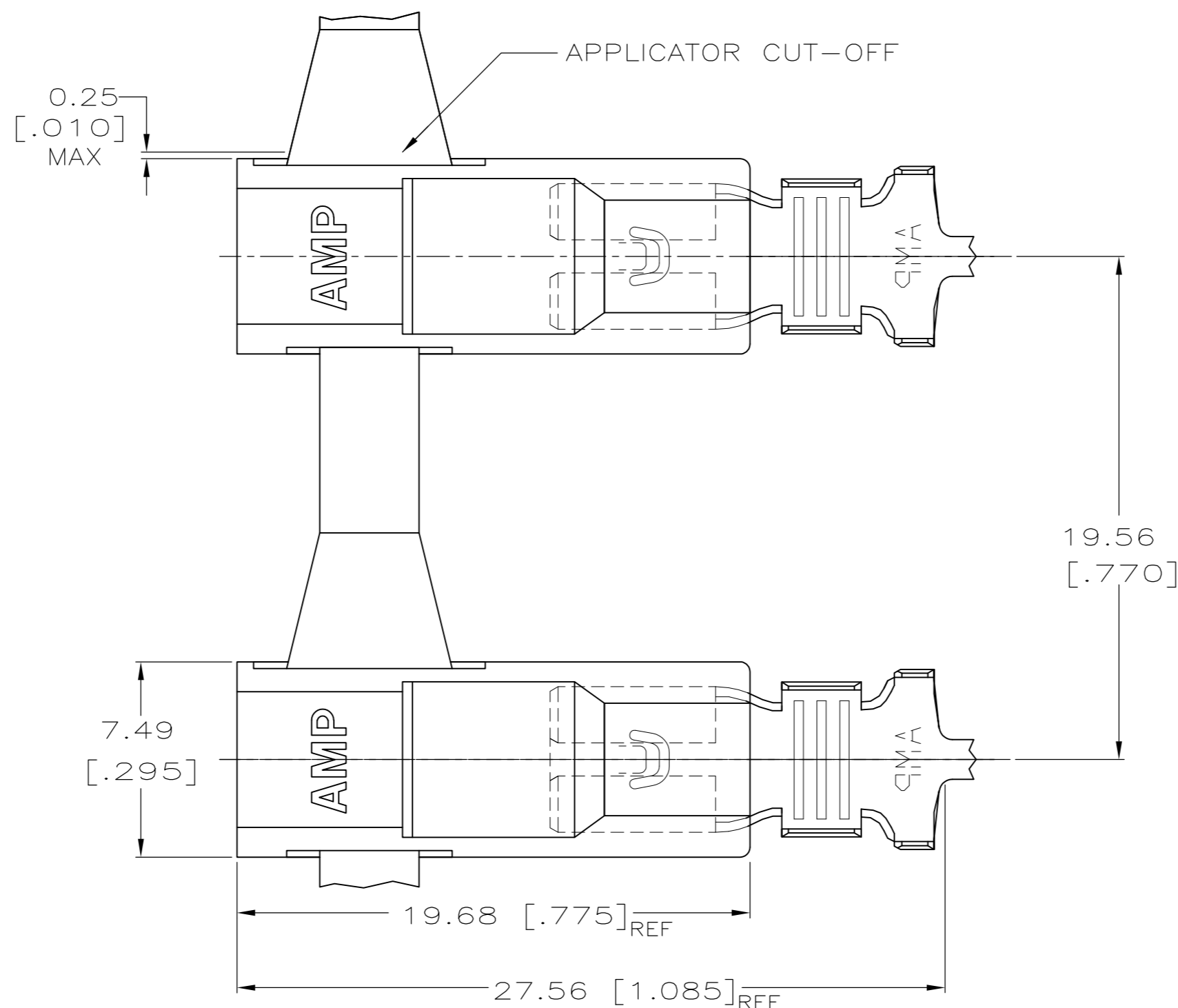


THIS DRAWING IS UNPUBLISHED. RELEASED FOR PUBLICATION  
 © COPYRIGHT - By - ALL RIGHTS RESERVED.

LOC		DIST		REVISIONS			
P	LTR	DESCRIPTION		DATE	DWN	APVD	
AF	50	E		REVISED PER ECR-12-013219	08JAN13	KH	KR



- 1 FASTON TERMINALS, BASE P/N 1742110, ARE USED IN THIS PRODUCT.
- 2 TIN PLATE PER MIL-T-10727 .002032 [.000080] MIN.
- 3 MATING TAB THK TO BE 0.51±0.025 [.020±.001]
- 4 WIRE SIZE IS [#18-#16 OR TWO #18'S] AWG.
- 5 INSULATION RANGE IS 2.67-5.33 OR TWO AT 2.67 MAX, [.105-.210 OR TWO AT .105 MAX].

6/6 NYLON, V-2 NAT	BRASS TIN PL. 2	521293-2
6/6 NYLON, V-2 NAT	BRASS PLANE	521293-1
HOUSING MATERIAL & COLOR	TERMINAL MATERIAL & FINISH	PART NO.

THIS DRAWING IS A CONTROLLED DOCUMENT.		DWN	JR RUTH	31MAR00	 TE Connectivity ASSEMBLY, RECEPTACLE, ULTRA-POD, 4.8 [.187] SERIES							
DIMENSIONS: mm [INCHES]		CHK	MS FEHER	31MAR00								
TOLERANCES UNLESS OTHERWISE SPECIFIED:		APVD	N DEIBERT	31MAR00								
0 PLC ± - 1 PLC ± - 2 PLC ± - 3 PLC ± 0.25 [.010] 4 PLC ± - ANGLES ± -		PRODUCT SPEC	108-1285	APPLICATION SPEC								
MATERIAL	SEE TABLE	FINISH	SEE TABLE	114-2124	SIZE	A2	CAGE CODE	00779	DRAWING NO	C=521293	RESTRICTED TO	-
CUSTOMER DRAWING		SCALE		5:1	SHEET		1 OF 1		REV		E	

单击下面可查看定价，库存，交付和生命周期等信息

[>>TE Connectivity\(泰科\)](#)