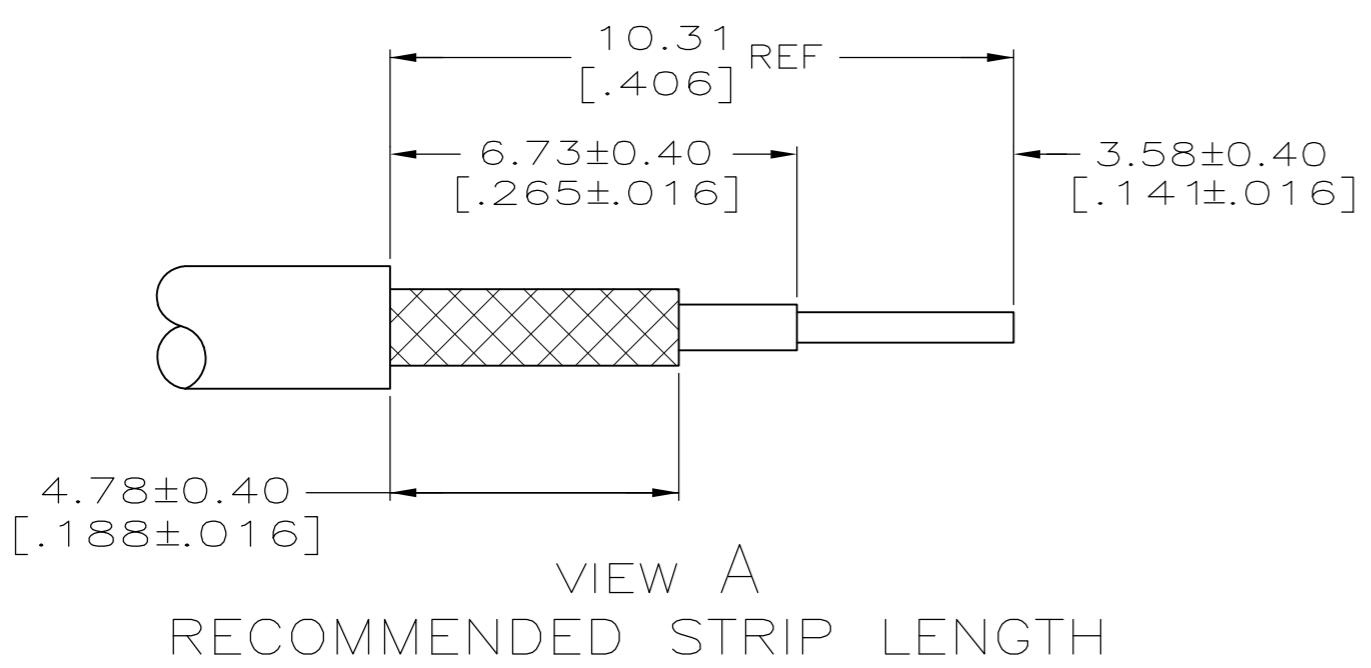
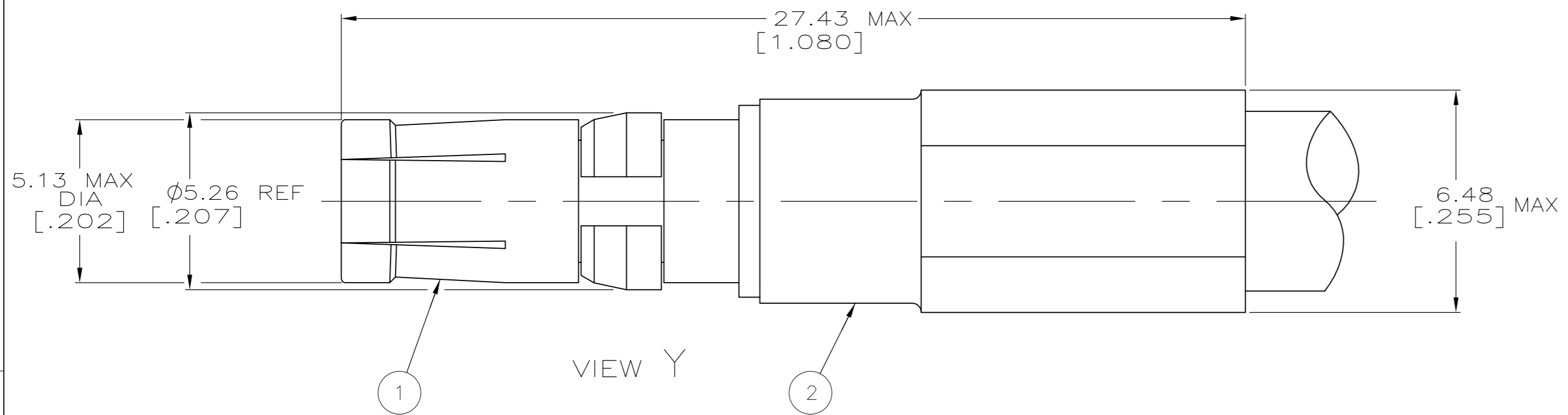
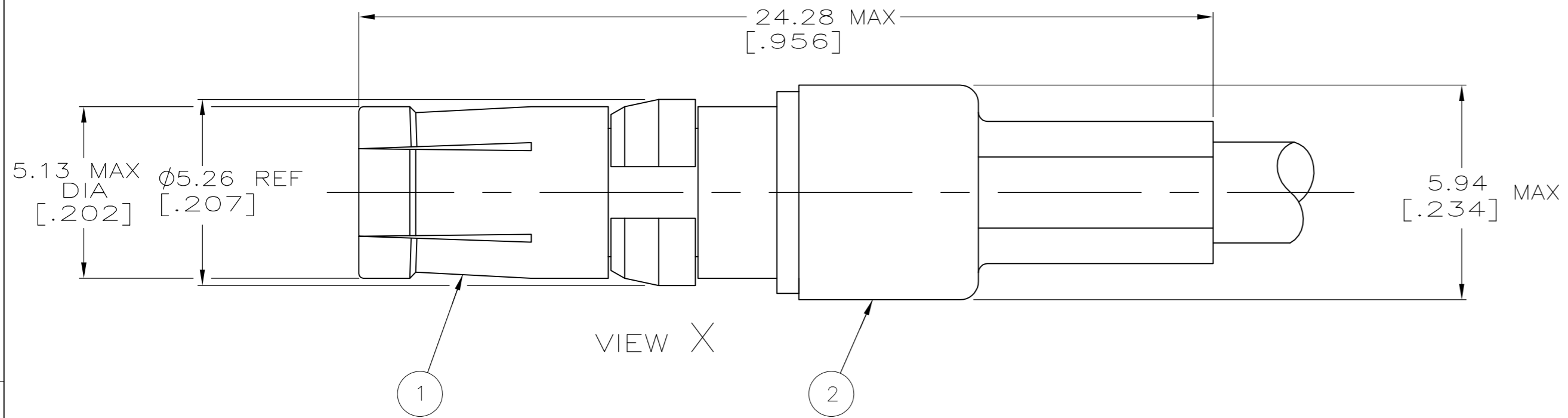


THIS DRAWING IS UNPUBLISHED. RELEASED FOR PUBLICATION
 © COPYRIGHT BY TYCO ELECTRONICS CORPORATION. ALL RIGHTS RESERVED.

LOC	DIST	REVISIONS			
P	LTR	DESCRIPTION	DATE	DWN	APVD
AJ	16	A	REV PER EC 0S14-0028-05	17DEC05	BC KW
		A1	REVISED PER ECO-09-024606	29OCT09	KK AEG



- 1 FOR USE WITH: RG-142/U, 142A/U, 142B/U, 58A/U & 400/U, BELDIN 9246
- 2. USE HAND TOOL: 69710-2
PNEUMATIC TOOL: 69365-8
EXTRACTION TOOL: 58095-1
- 3 FOR USE WITH RD-316/U, 174/U, 198/U
DOUBLE BRAIDED CABLE
- 4 OBSOLETE PARTS: OBSOLETE CIS STREAMLINING PER D.RENAUD/D.SINISI

	59993-1		9-221205-0	9-222052-0	X,A	5221981-5
4	OBSOLETE		58212-1	9-221357-0	Y,A	5221981-2
	OBSOLETE	59993-1	RG-174/U,188/U & 316/U	9-228603-0	X,A	5221981-1
	DIE SET		USE WITH CABLE	2 FERRULE QTY=1	1 SOCKET ASSY QTY=1	VIEW PART NUMBER

THIS DRAWING IS A CONTROLLED DOCUMENT.

DIMENSIONS: INCHES	TOLERANCES UNLESS OTHERWISE SPECIFIED:	DWN J. HAVENER 24JAN2005	Tyco Electronics Corporation Harrisburg, PA 17105-3608
	0 PLC ± -	CHK J. HAVENER 26JAN2005	
	1 PLC ± -	APVD G. MICHAEL 26JAN2005	
	2 PLC ± -	NAME	
MATERIAL	FINISH	PRODUCT SPEC	SOCKET, STRAIGHT, 50 OHM, SIZE 8
		APPLICATION SPEC	SIZE CAGE CODE DRAWING NO RESTRICTED TO
		WEIGHT	A2 00779 C=5221981
		CUSTOMER DRAWING	SCALE 8:1 SHEET 1 OF 1 REV A1

单击下面可查看定价，库存，交付和生命周期等信息

[>>TE Connectivity\(泰科\)](#)