

4

3

2

1

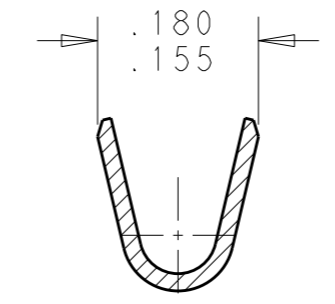
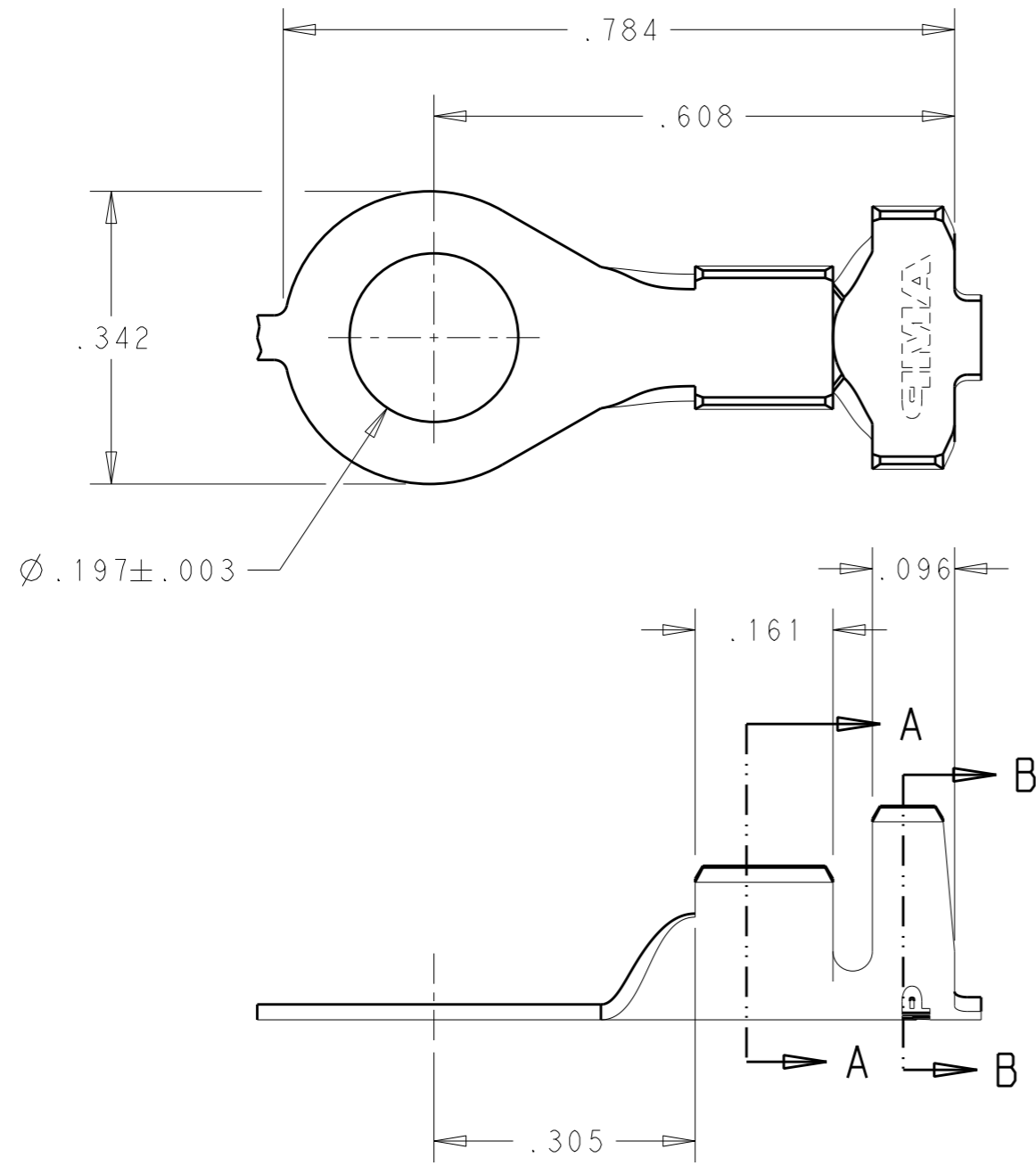
THIS DRAWING IS UNPUBLISHED. RELEASED FOR PUBLICATION
© COPYRIGHT - BY - TE CONNECTIVITY ALL RIGHTS RESERVED.

REVISIONS

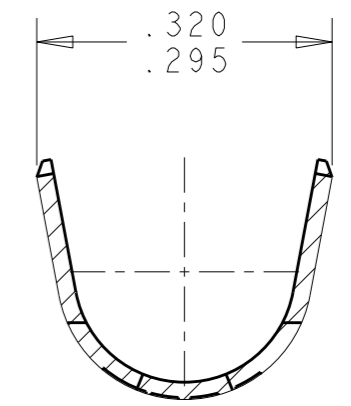
P	LTR	DESCRIPTION	DATE	DWN	APVD
	F2	REVISED PER ECR-17-008062	05JUN2017	BW	FV

CRIMPING DATA

TYPE	SIZE	INSULATION RANGE	TYPE	SIZE	CRIMP HEIGHT	WIRE SIZE	PAO LTR	WIRE RANGE	FEED	APPL INST
F	.280	.150-.250, (2).125	F	.140	.067	(1)16 OR (2)18	D	16-12, (2)16, (2)18	.855	A1 8039
					.073	14	C			
					.078	(2)16	B			
					.084	12	A			
INSULATION BARREL CRIMP					WIRE BARREL CRIMP				FEED	APPL INST



SECTION A-A



SECTION B-B

WIRE SIZE	INSUL SIZE(2)
16-12	Ø .125

NICKEL PLATED STEEL	640253-4
REELED WITH "U" S UP	640253-2
REELED WITH "U" S UP	640253-1
PLATING	PART NUMBER

THIS DRAWING IS A CONTROLLED DOCUMENT.		DWN	-	TE Connectivity	
DIMENSIONS: INCHES		CHK	-		
		APVD	-		
TOLERANCES UNLESS OTHERWISE SPECIFIED:		PRODUCT SPEC	-		
0 PLC ±- 1 PLC ±- 2 PLC ±- 3 PLC ±.015 4 PLC ±- ANGLES ±-		APPLICATION SPEC	-	NAME	
MATERIAL .018 BRASS		WEIGHT	-	RING	
FINISH TIN		CUSTOMER DRAWING		SIZE	A3
				CAGE CODE	00779
				DRAWING NO	C-640253
				RESTRICTED TO	-
				SCALE	5:1
				SHEET	1 OF 1
				REV	F2

单击下面可查看定价，库存，交付和生命周期等信息

[>>TE Connectivity\(泰科\)](#)