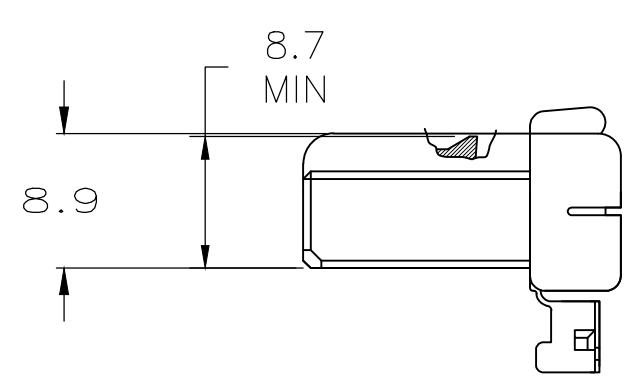
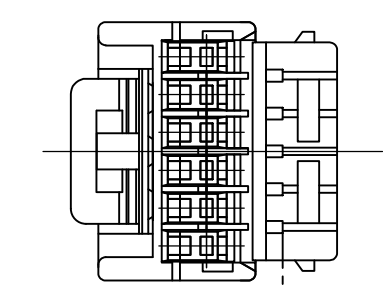
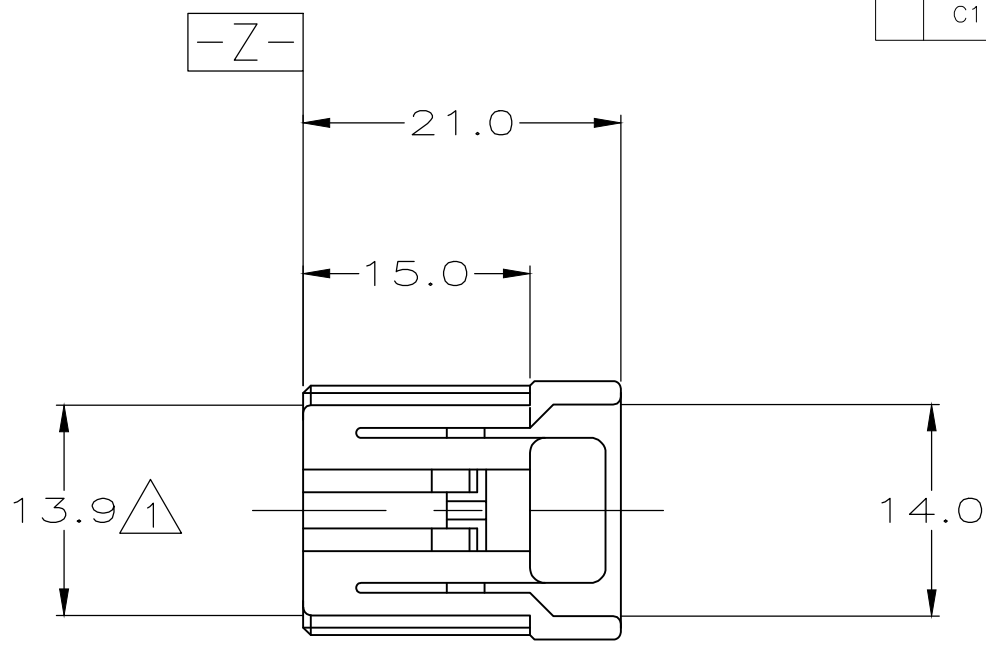
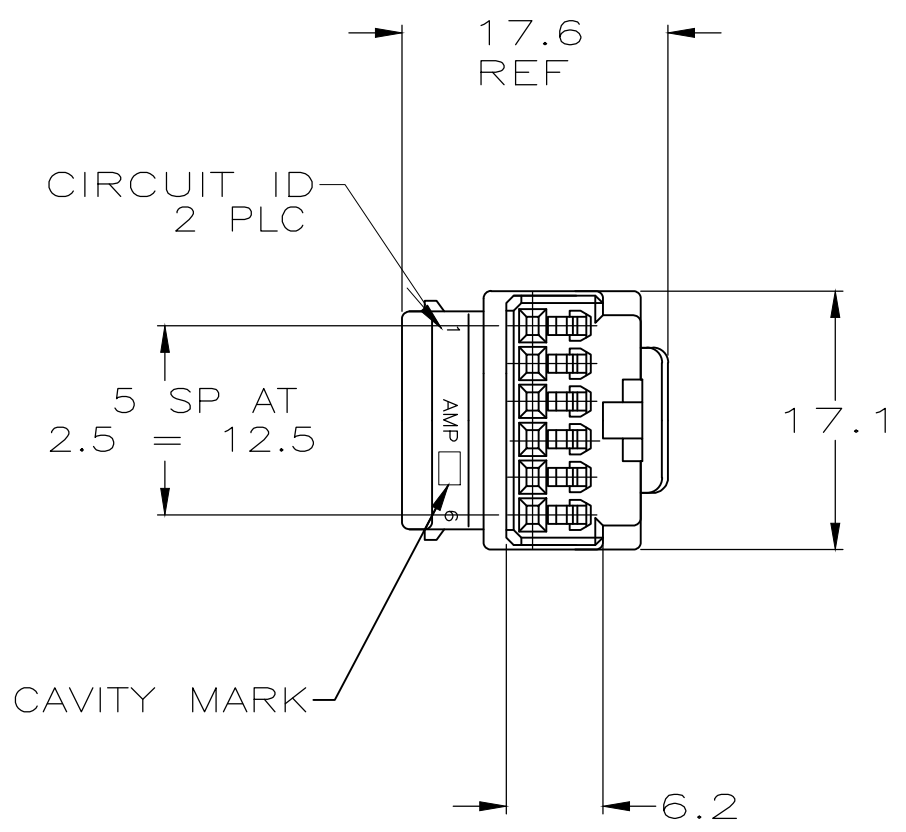


REVISIONS					
P	LTR	DESCRIPTION	DATE	DWN	APVD
	C	EC OK80-0110-02	25APR02	JRB	SSA
	C1	REV PER ECO-20-011282	12AUG2020	GTG	MT



- 1. MUST BE HELD BETWEEN **-Z-** AND 2MM
- 2. THE MATING CAP ASSEMBLY PART NUMBER IS 175506(SCREW MOUNTING TYPE) OR 776203(BOARDLOCK MOUNTING TYPE)
- 3. APPLIED RECEPTACLE CONTACT IS 173681

OBSOLETE	YELLOW	776204-7
	BLACK	776204-2
	COLOR	PART NUMBER

THIS DRAWING IS A CONTROLLED DOCUMENT.		DWN P. YEAGER 5-22-96	TE Connectivity			
DIMENSIONS: mm		CHK R. GRAY 5-22-96				NAME 6 POSN PLUG HOUSING .040 SERIES MULTI-LOCK I/O CONN
		APVD R. GRAY 5-22-96	PRODUCT SPEC 108-5281			
TOLERANCES UNLESS OTHERWISE SPECIFIED: 0 PLC ± 0.25 1 PLC ± 0.15 2 PLC ± 0.1 3 PLC ± - 4 PLC ± - ANGLES ± -		APPLICATION SPEC -	SIZE A3	CAGE CODE 00779	DRAWING NO C-776204	RESTRICTED TO -
MATERIAL -		FINISH -	WEIGHT -	CUSTOMER DRAWING		SCALE 2:1
						SHEET 1 OF 1
						REV C1

单击下面可查看定价，库存，交付和生命周期等信息

[>>TE Connectivity\(泰科\)](#)