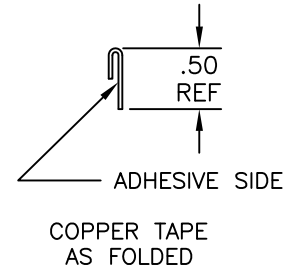
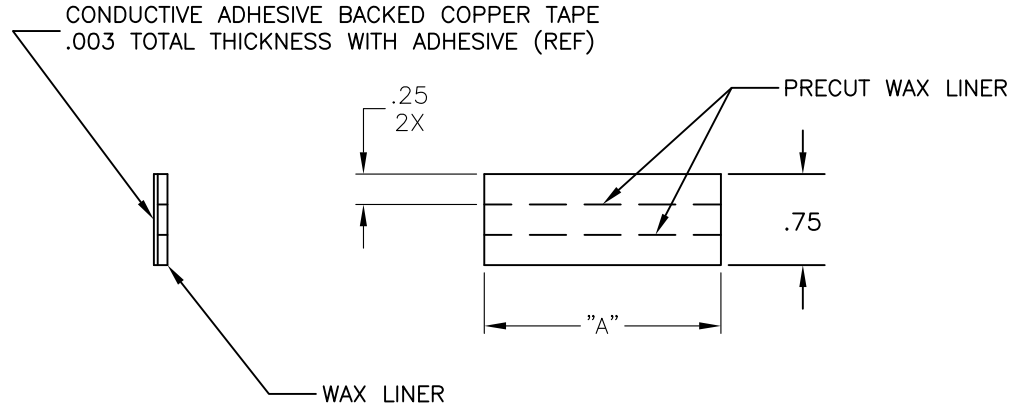


REVISIONS			
LTR	DESCRIPTION	DATE	APPROVED
A	INITIAL RELEASE PER ECO-10-008099	15Apr10	I.MYONG



PART NUMBER	DIM "A"	DESCRIPTION
CHA-0333	1.95	2" VERSION
CHA-0332	.95	1" VERSION

NOTES:

1. CONSULT TYCO ELECTRONICS ENGINEERING STANDARDS FOR TERMINATION METHODS. REFER TO ES-61239.

If this document is printed it becomes uncontrolled. Check for the latest revision

© 2010 Tyco Electronics Corporation. All Rights Reserved. CUSTOMER DRAWING

UNLESS OTHERWISE SPECIFIED DIMENSIONS ARE IN INCHES AND TOLERANCES ARE: .XXX ± -- .XX ± .03 ANGLES ± --	DRAWN <i>G.Rositano</i>	DATE <i>06Apr10</i>	Raychem Interconnect 300 Constitution Drive Menlo Park, CA 94025 U.S.A.	
	CHECKED	DATE	<b>Tyco Electronics</b>	
MATERIAL	APPROVED <i>I. Myong</i>	DATE <i>15Apr10</i>	TITLE 1 AND 2 INCH COPPER SOLDERING TAB FOR WRAP AROUND SHIELDING	
FINISH	THIRD ANGLE PROJECTION			SIZE B
	CAD NAME CHA-0332_33_A-CD	CODE IDENT. NO. 06090	DWG. NO. CHA-0332/0333	REV A
	RPN:	SCALE: 1:1	DO NOT SCALE THIS DRAWING	SHEET 1 OF 1

单击下面可查看定价，库存，交付和生命周期等信息

[>>TE Connectivity\(泰科\)](#)