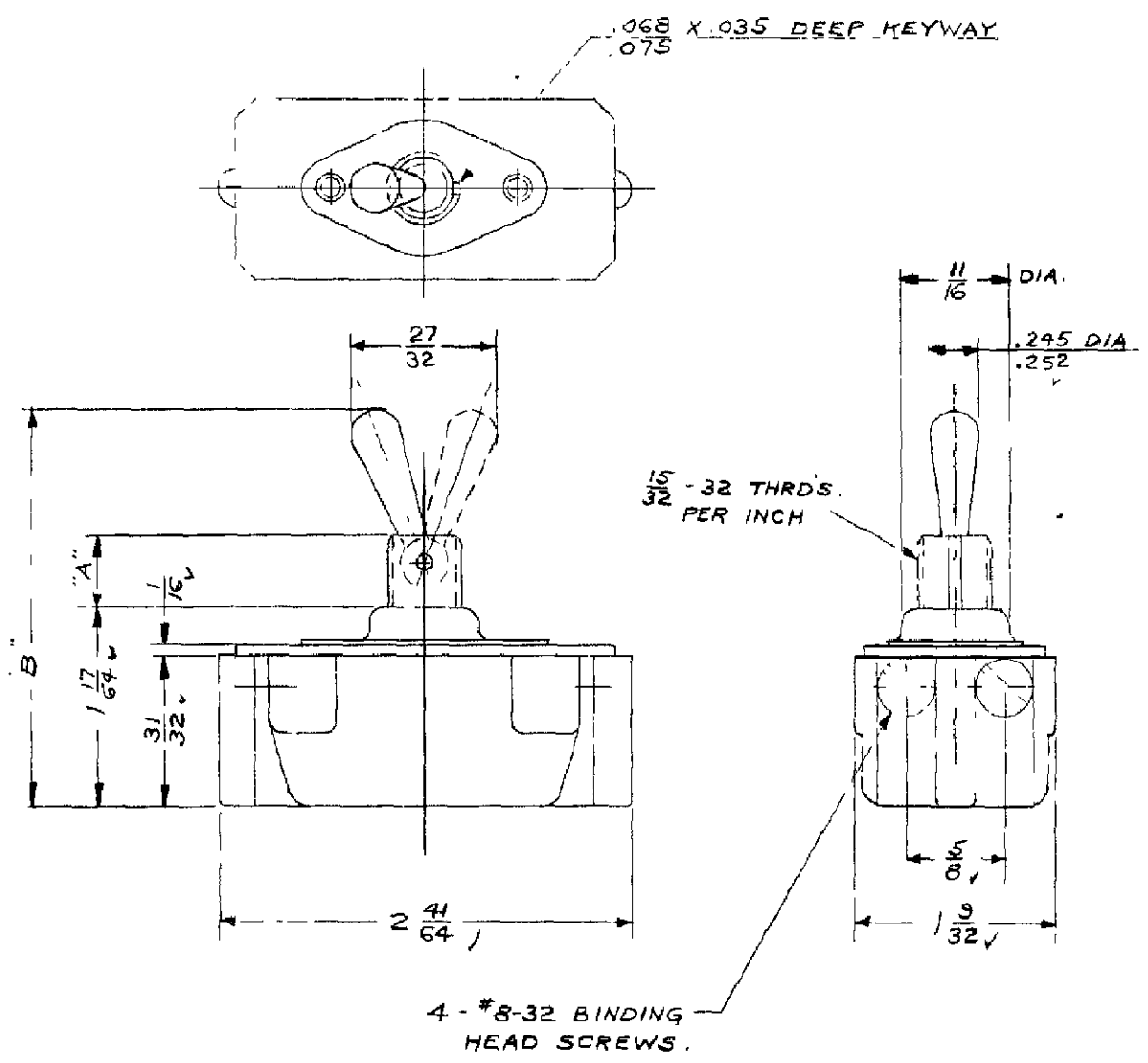


A 90-347

RAW MAT SPEC WITH
PART NO AND AMOUNT REQ D.



7400	$15/32$	$2 \frac{35}{64}$
7400	$1/32$	$2 \frac{27}{64}$
CAT. NO.	A	B

BULLETIN
DIMENSIONS FOR 20 AMP. 250 V. ONE HOLE MTG. TOOL HANDLE SWITCH

A	$27/32$ WAS $29/32$. $.245-.252$ WAS $.312-.302$ DM81-3200-10	GDG 1070 1-15 Bck	DR E. B. Leonard J. Raab Geo. J. Munn	9/19/40 10/4/40 10/5/40	FIRST ASSEM. WHERE LISTED D 90-341
B			APP. CMK.		SUP'S.
C					NON-INTERCHANGEABLE SUP D BY
D					NON-INTERCHANGEABLE SURFACE COATING
E					DO NOT SCALE DRAWING. WORK ACCORDING TO DIMENSIONS.
F					STANDARD TOLERANCES 20-375 APPLY TO DIMENSIONS FOR WHICH TOLERANCES ARE NOT SPECIFIED.

ORDER NO. **A 90-347**
DEV. 4041-10

CUTLER-HAMMER, INC. MILWAUKEE NEW YORK

FORM NO. 7 1000 7-13-40 SCHILLER
IMPERIAL NO. N-16375 CLOTH

单击下面可查看定价，库存，交付和生命周期等信息

[>>TE Connectivity\(泰科\)](#)